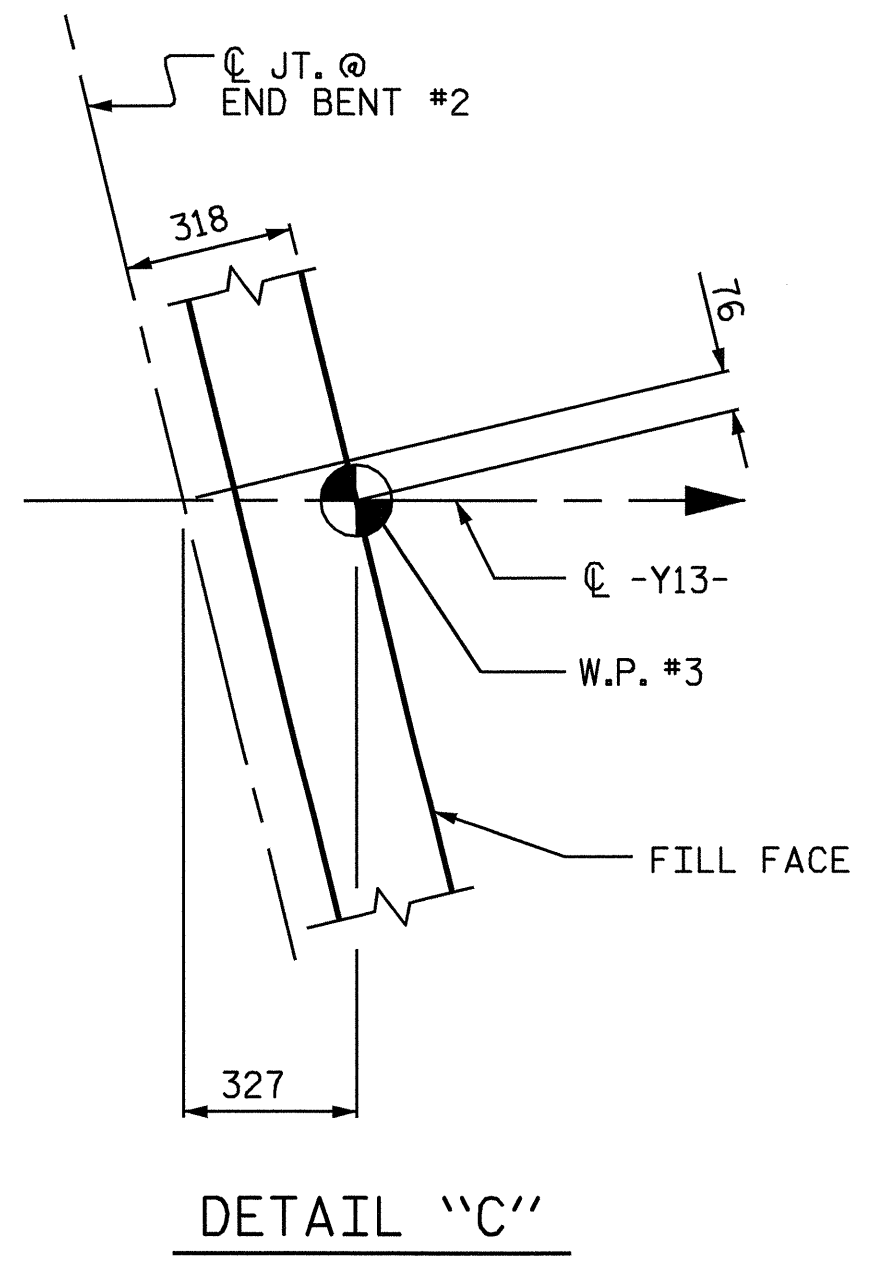


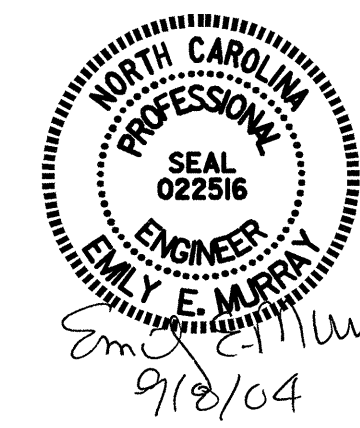
PLAN OF SPAN "B"



PROJECT NO. R-2206C  
LINCOLN-CATAWBA COUNTY  
STATION: 216+60.508-L-

SHEET 2 OF 2

STATE OF NORTH CAROLINA DEPARTMENT OF TRANSPORTATION RALEIGH					
SUPERSTRUCTURE					
PLAN OF SPAN "B"					
REVISIONS					SHEET NO.
NO.	BY:	DATE:	NO.	BY:	DATE:
1			3		
2			4		
					TOTAL SHEETS 374



DRAWN BY: M.D. PISO DATE: 8/03  
CHECKED BY: M.M. PARSONS DATE: 8/03