

NOTES

THE GUARDRAIL ANCHOR ASSEMBLY SHALL CONSIST OF A 6mm HOLD DOWN PLATE AND 7 - 22.23mm Ø BOLTS WITH NUTS AND WASHERS.

THE HOLD-DOWN PLATE SHALL CONFORM TO AASHTO M270 GRADE 250. AFTER FABRICATION, THE HOLD-DOWN PLATE SHALL BE GALVANIZED IN ACCORDANCE WITH AASHTO M111.

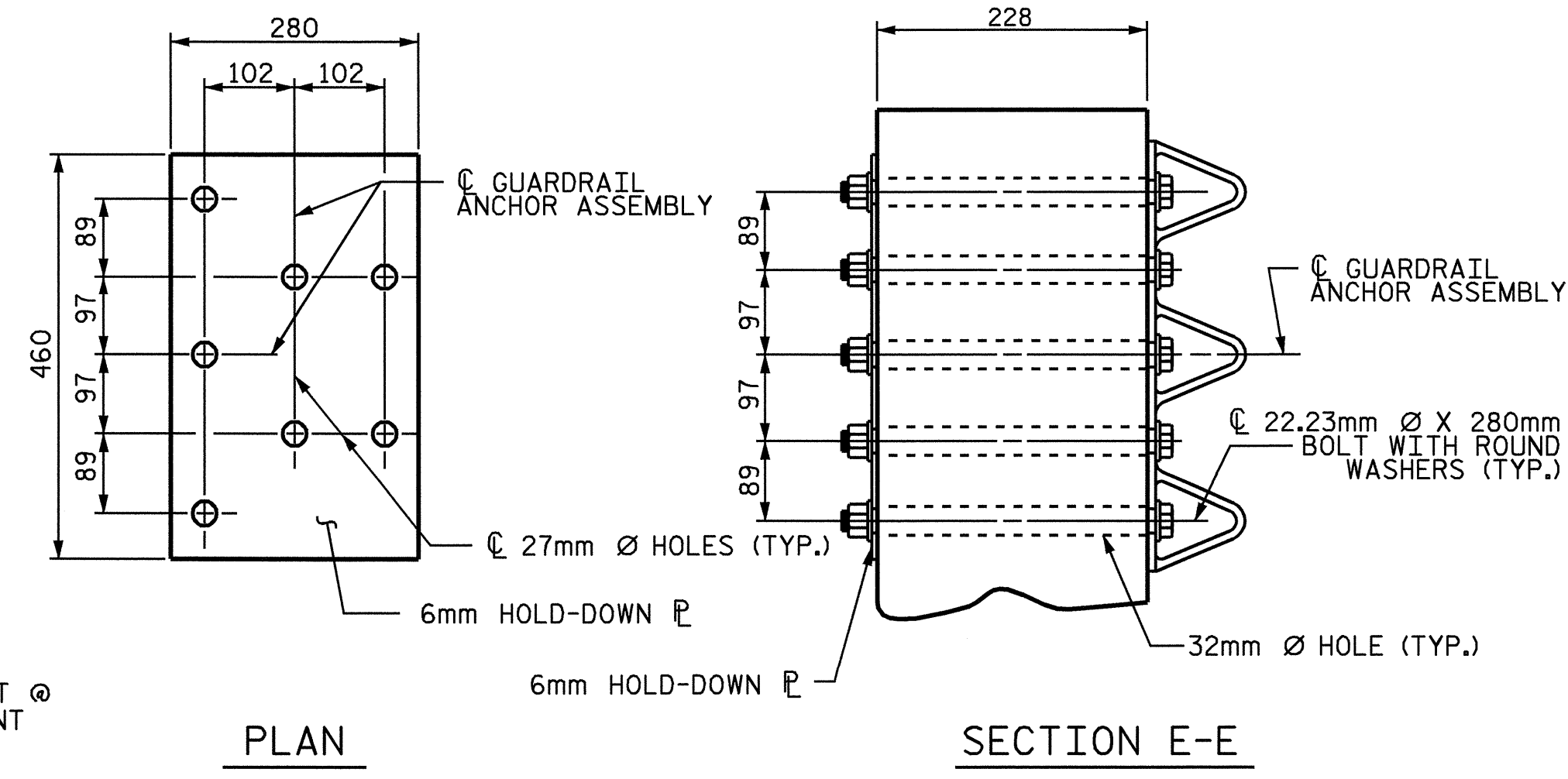
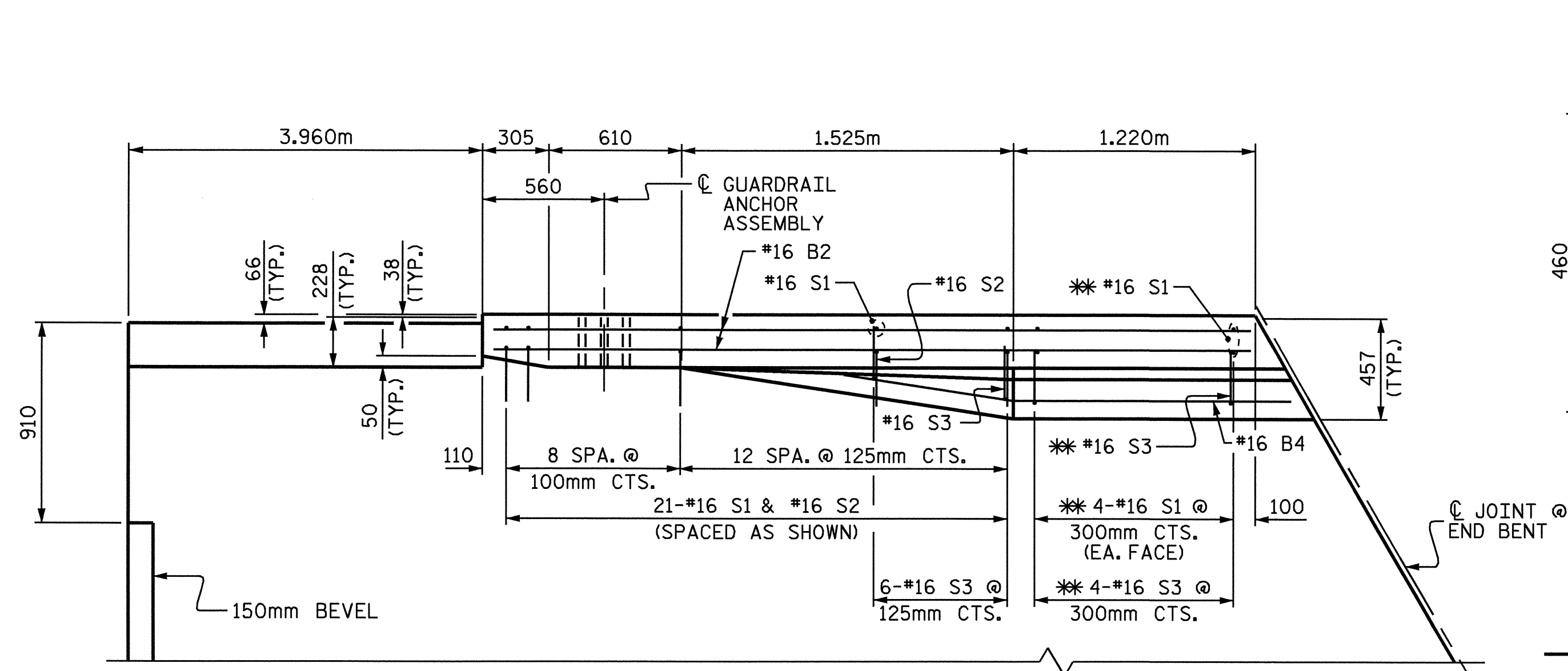
BOLTS SHALL CONFORM TO THE REQUIREMENTS OF ASTM A307 AND NUTS SHALL CONFORM TO THE REQUIREMENTS OF AASHTO M291M. BOLTS, NUTS AND WASHERS SHALL BE GALVANIZED. AT THE CONTRACTOR'S OPTION, STAINLESS STEEL BOLTS, NUTS AND WASHERS MAY BE USED AS AN ALTERNATE FOR THE 22.23mm Ø GALVANIZED BOLTS, NUTS AND WASHERS. THEY SHALL CONFORM TO OR EXCEED THE MECHANICAL REQUIREMENTS OF ASTM A307. THE USE OF THIS ALTERNATE SHALL BE APPROVED BY THE ENGINEER.

AFTER INSTALLATION, THE EXPOSED THREAD OF THE BOLT SHALL BE BURRED WITH A SHARP POINTED TOOL.

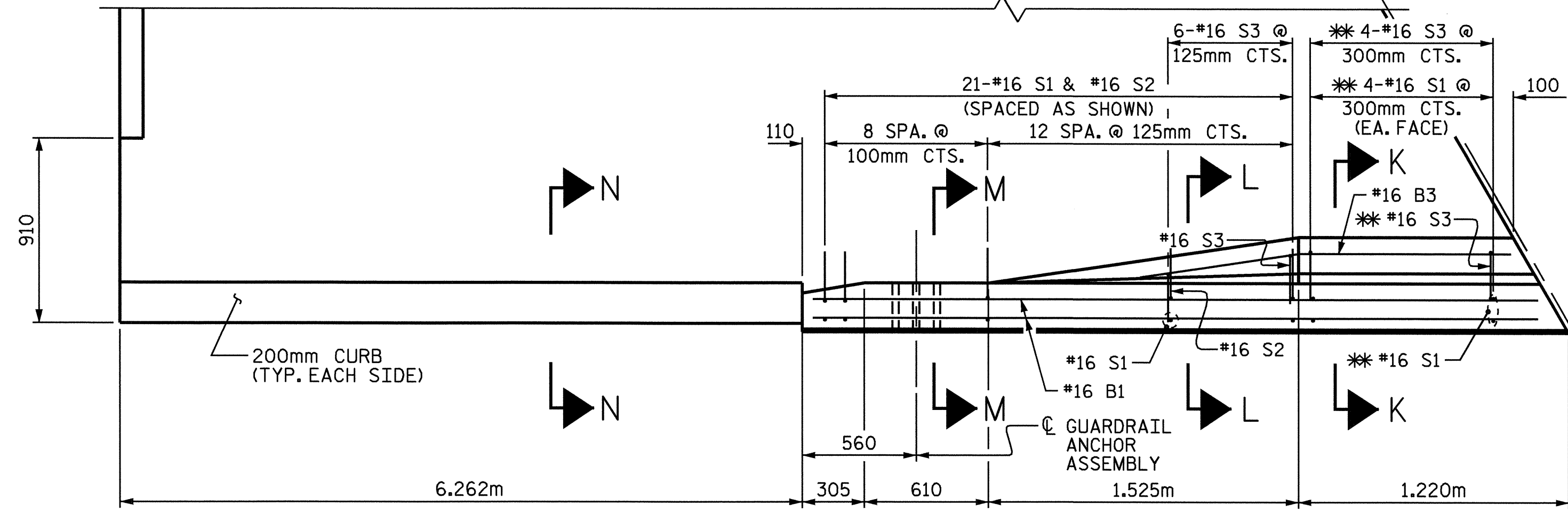
THE COST OF THE GUARDRAIL ANCHOR ASSEMBLIES WITH BOLTS, NUTS AND WASHERS COMPLETE IN PLACE, SHALL BE INCLUDED IN THE LUMP SUM CONTRACT PRICE BID FOR BRIDGE APPROACH SLABS.

THE 32mm Ø HOLES SHALL BE FORMED OR DRILLED WITH A CORE BIT. IMPACT TOOLS WILL NOT BE PERMITTED. ANY CONCRETE DAMAGED BY THIS WORK SHALL BE REPAIRED TO THE SATISFACTION OF THE ENGINEER.

THE #16 S1 AND #16 S3 BARS SHALL BE INSTALLED, WHERE NOTED ON THE PLANS, USING AN ADHESIVE ANCHORING SYSTEM AFTER SAWING THE JOINT. FOR ADHESIVELY ANCHORED ANCHOR BOLTS OR DOWELS, SEE SPECIAL PROVISIONS. THE YIELD LOAD FOR THE #16 S1 AND #16 S3 BARS IS 82.7 kN. FIELD TESTING FOR THE ADHESIVE BONDING SYSTEM IS NOT REQUIRED.

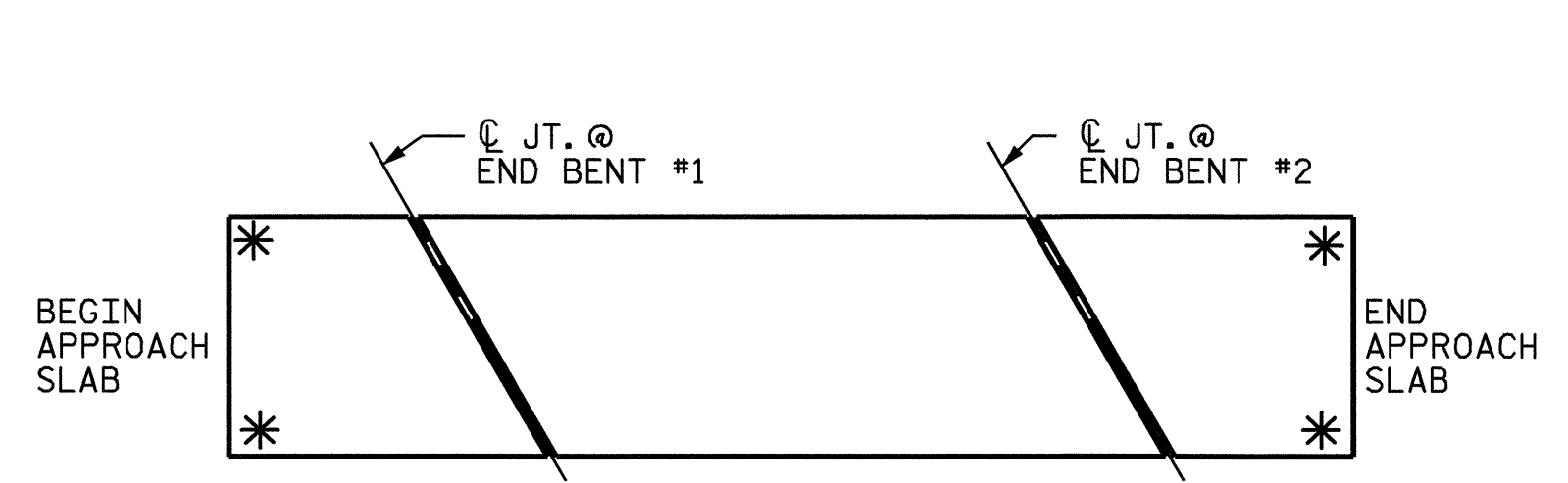


GUARDRAIL ANCHOR ASSEMBLY DETAILS



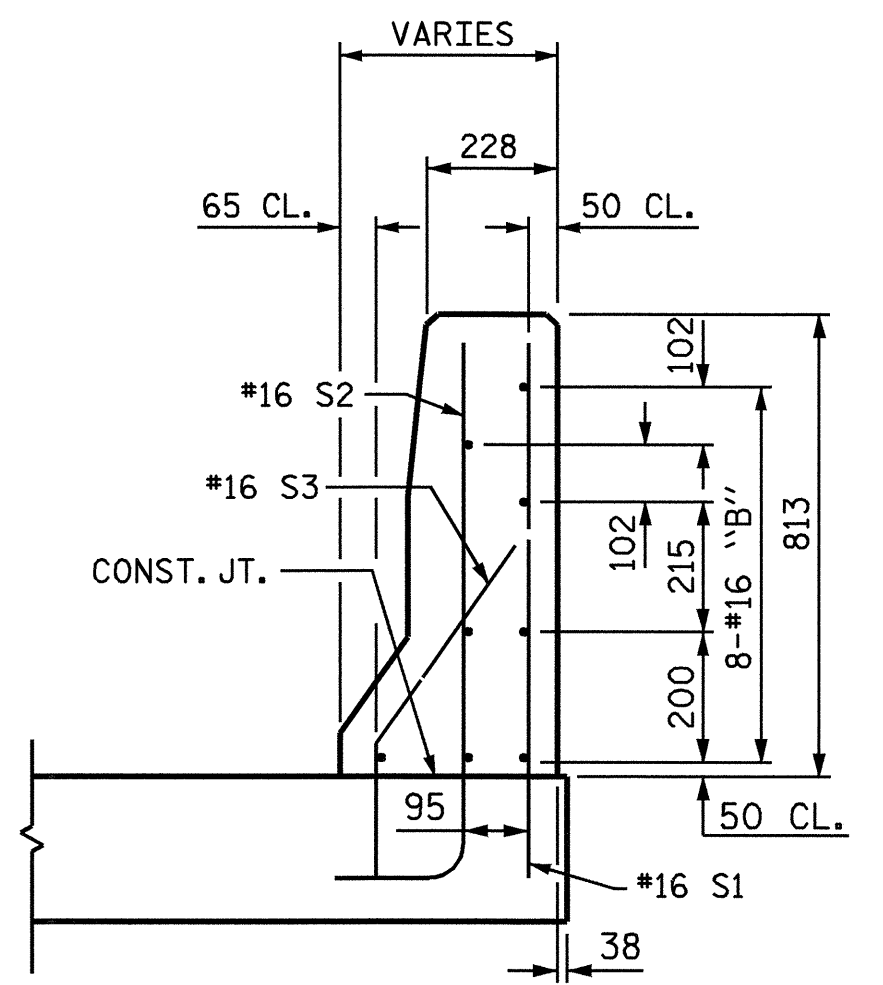
PLAN

BEGIN APPROACH SLAB SHOWN, END APPROACH SLAB SIMILAR

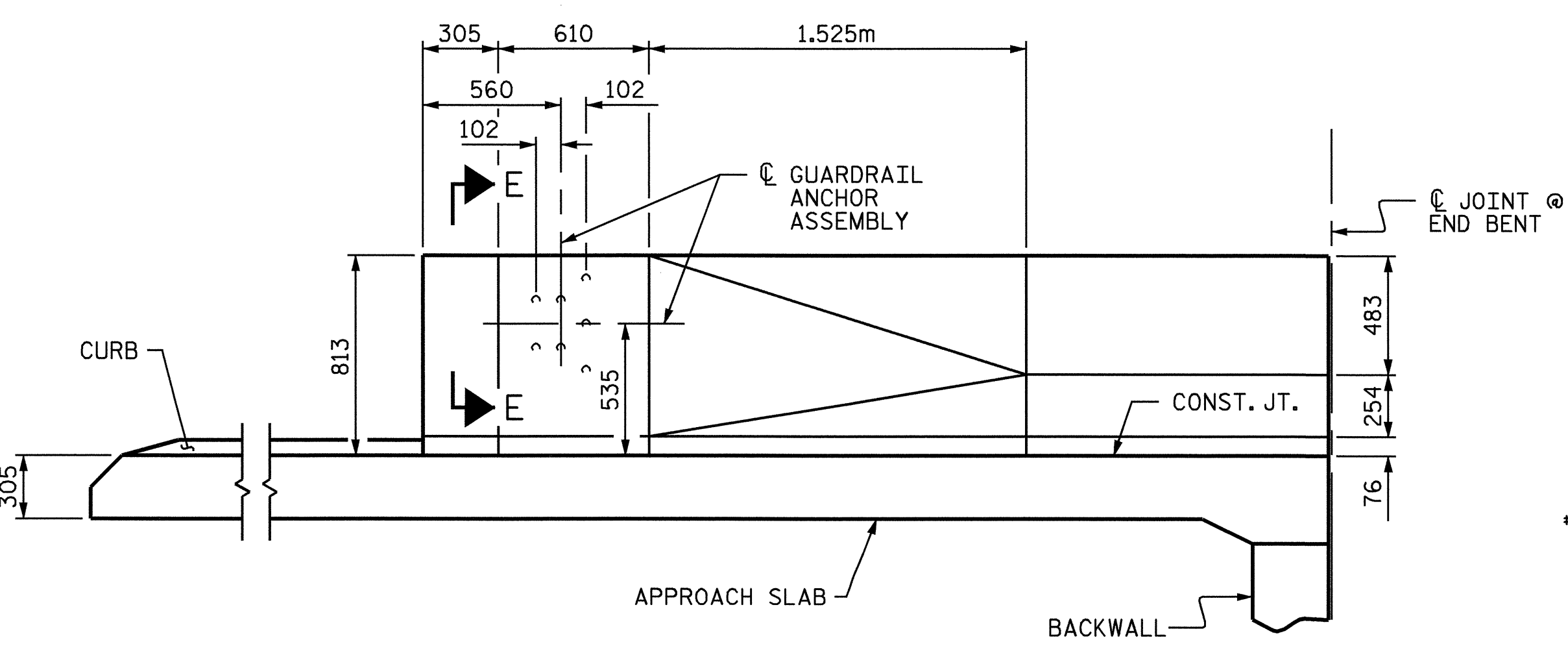


SKETCH SHOWING POINTS OF ATTACHMENT

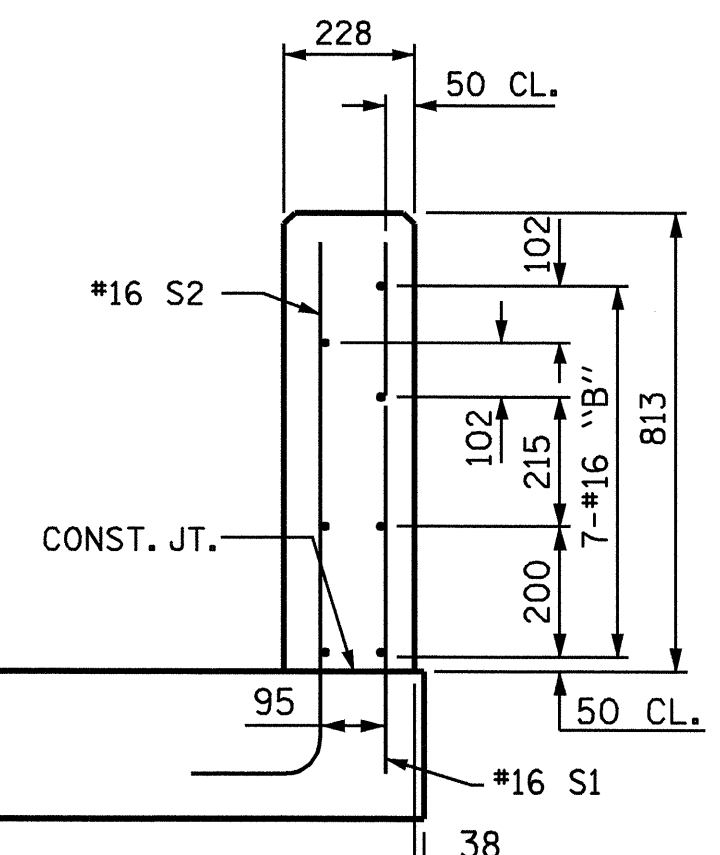
\* INDICATES POINTS OF ATTACHMENT



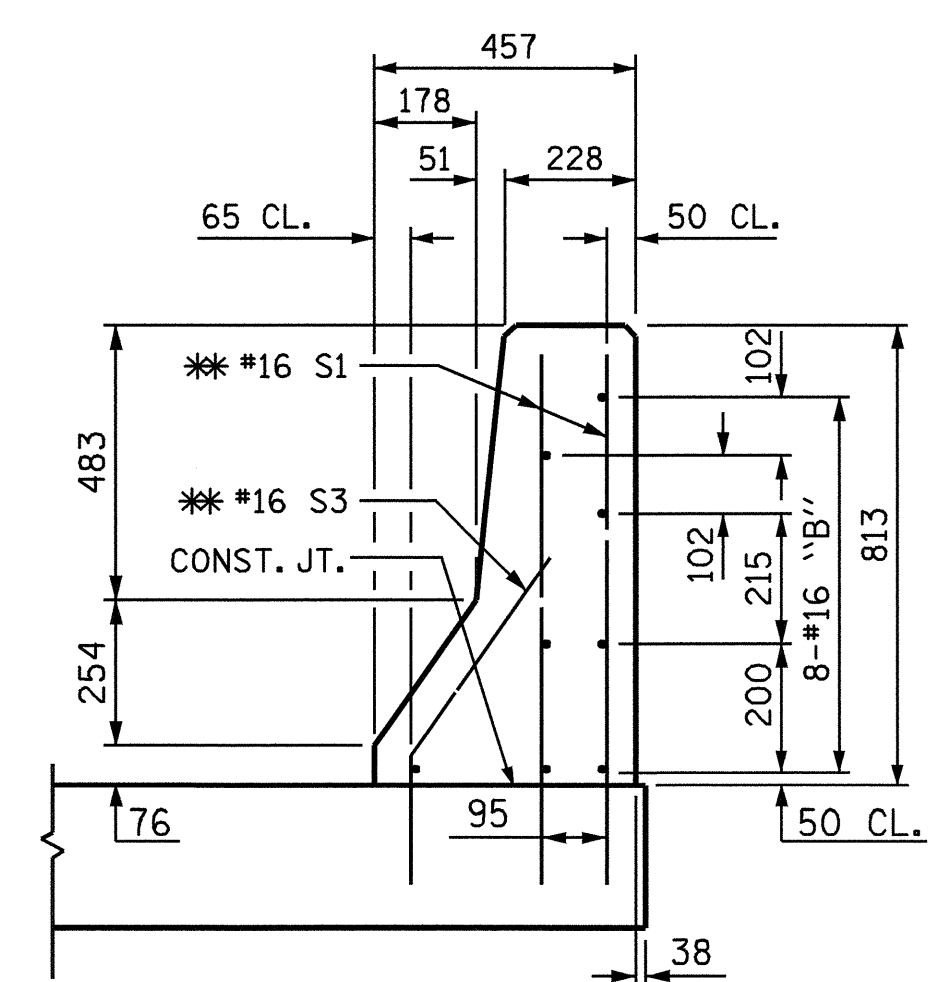
SECTION L-L



ELEVATION

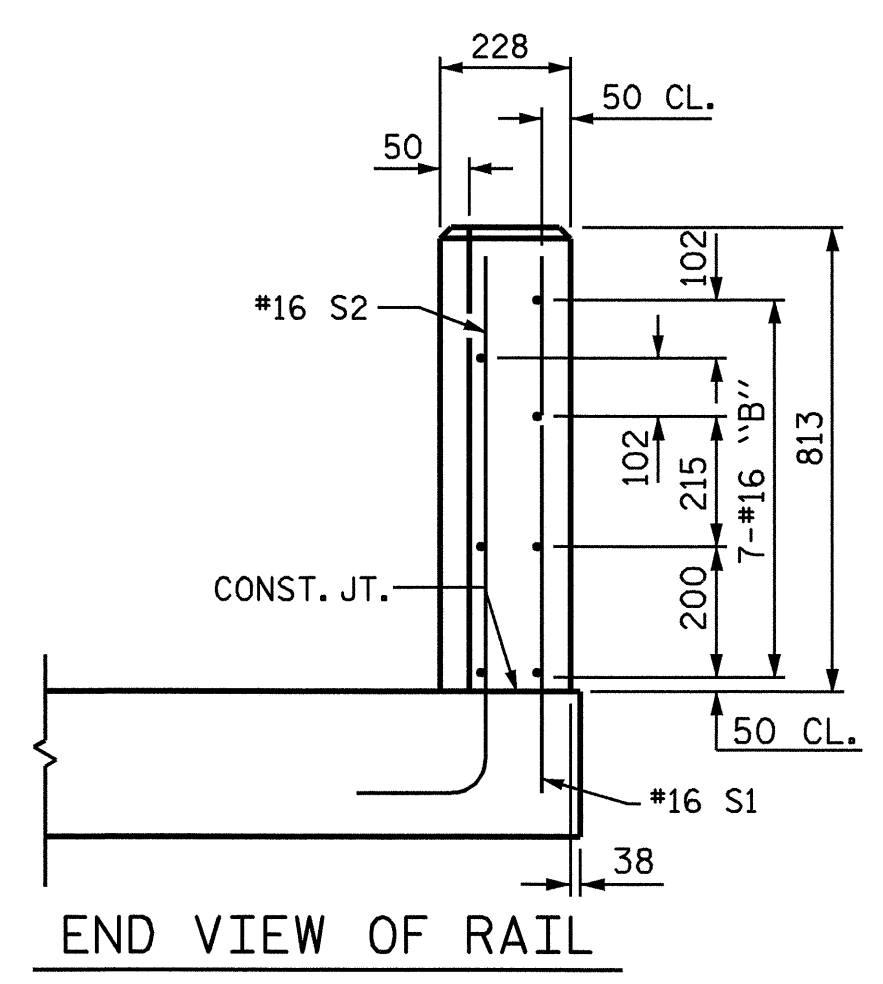


SECTION M-M



SECTION K-K

\*\* ADHESIVELY ANCHORED



END VIEW OF RAIL

PROJECT NO. R-2206C  
LINCOLN-CATAWBA COUNTY  
STATION: 216+60.508 -L-

SHEET 3 OF 5

STATE OF NORTH CAROLINA  
DEPARTMENT OF TRANSPORTATION  
RALEIGH

BRIDGE APPROACH SLAB  
FOR FLEXIBLE PAVEMENT  
WITH BARRIER RAIL



REVISIONS					SHEET NO. S-129
NO.	BY:	DATE:	NO.	DATE:	
1			3		TOTAL SHEETS 374
2			4		

STR. #2

ASSEMBLED BY : ZION J. RORIE	DATE : 6/9/04
CHECKED BY : W.D. CRUTCHER	DATE : 7-20-04
DRAWN BY : RWM 8/01	REV. 5/7/03
CHECKED BY : LES 8/01	RWW/JTE