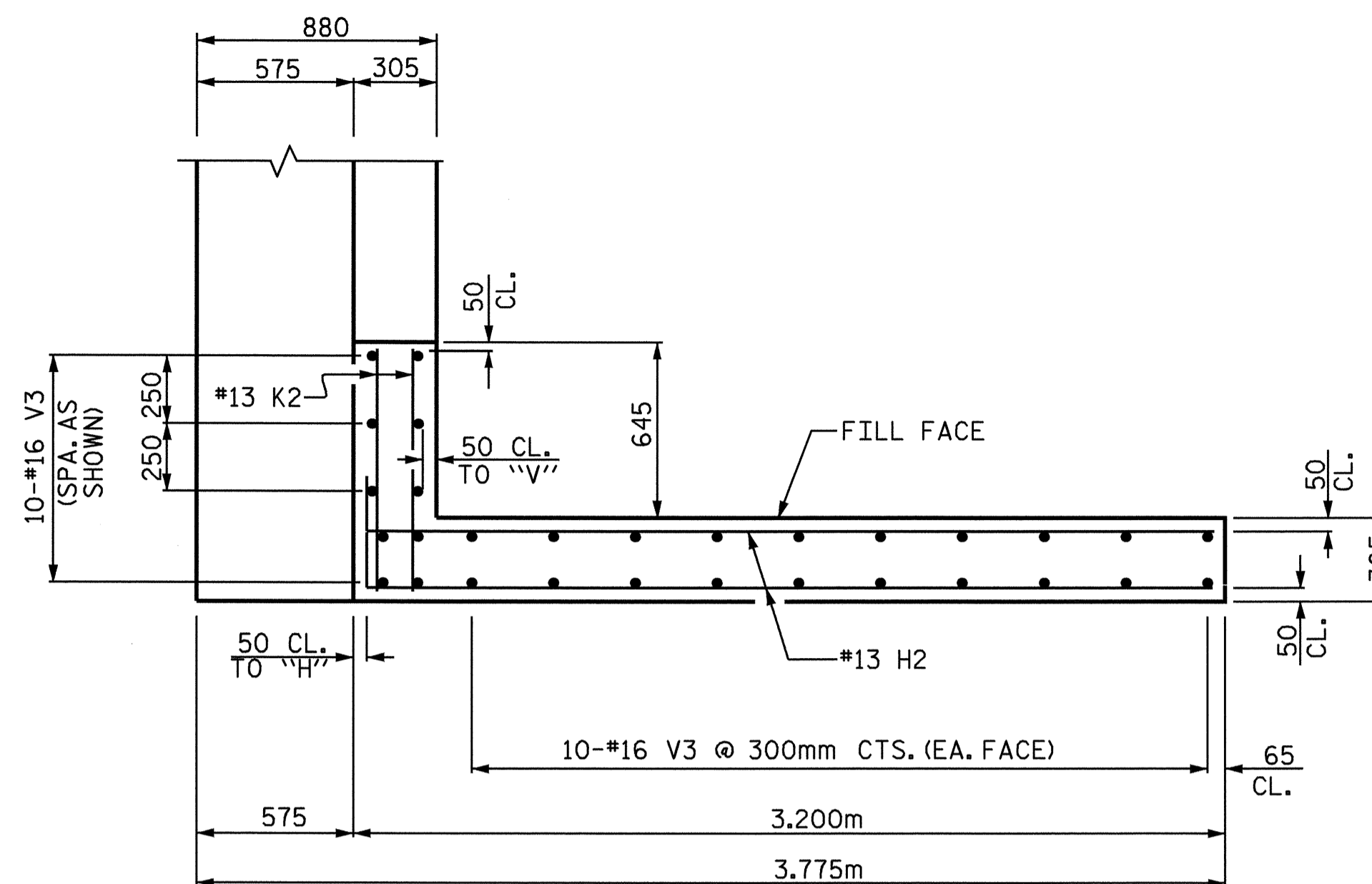
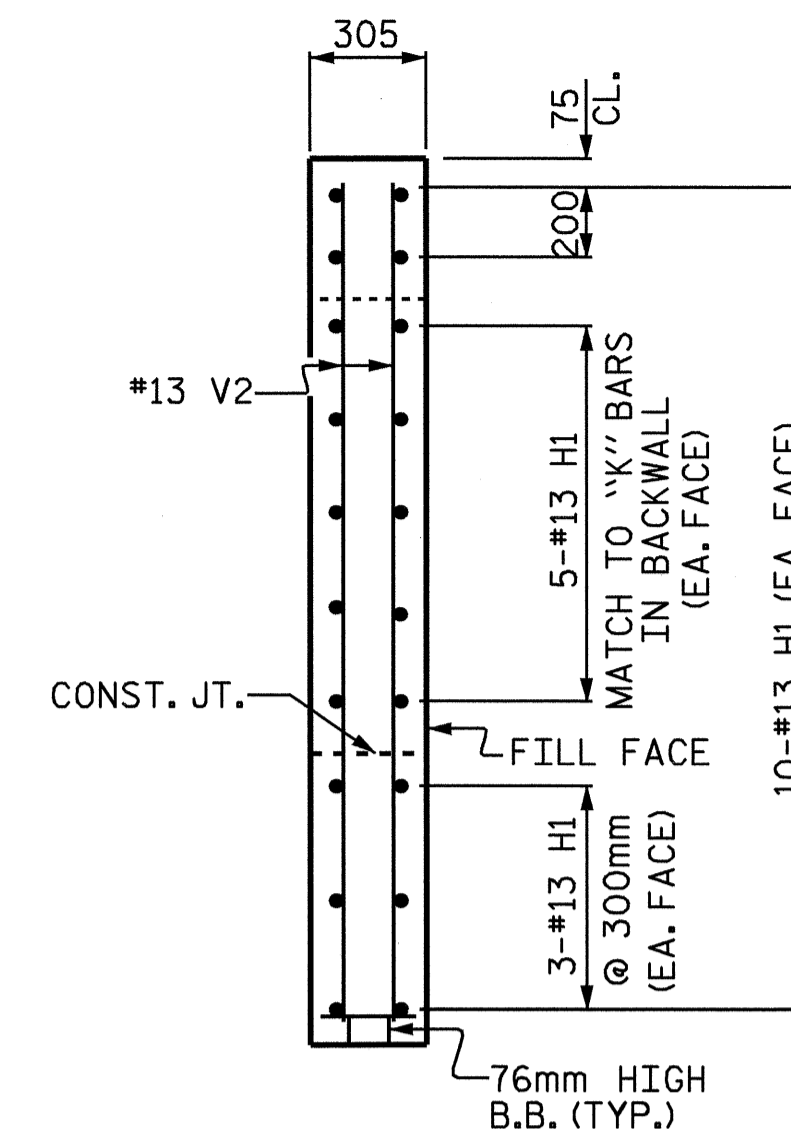


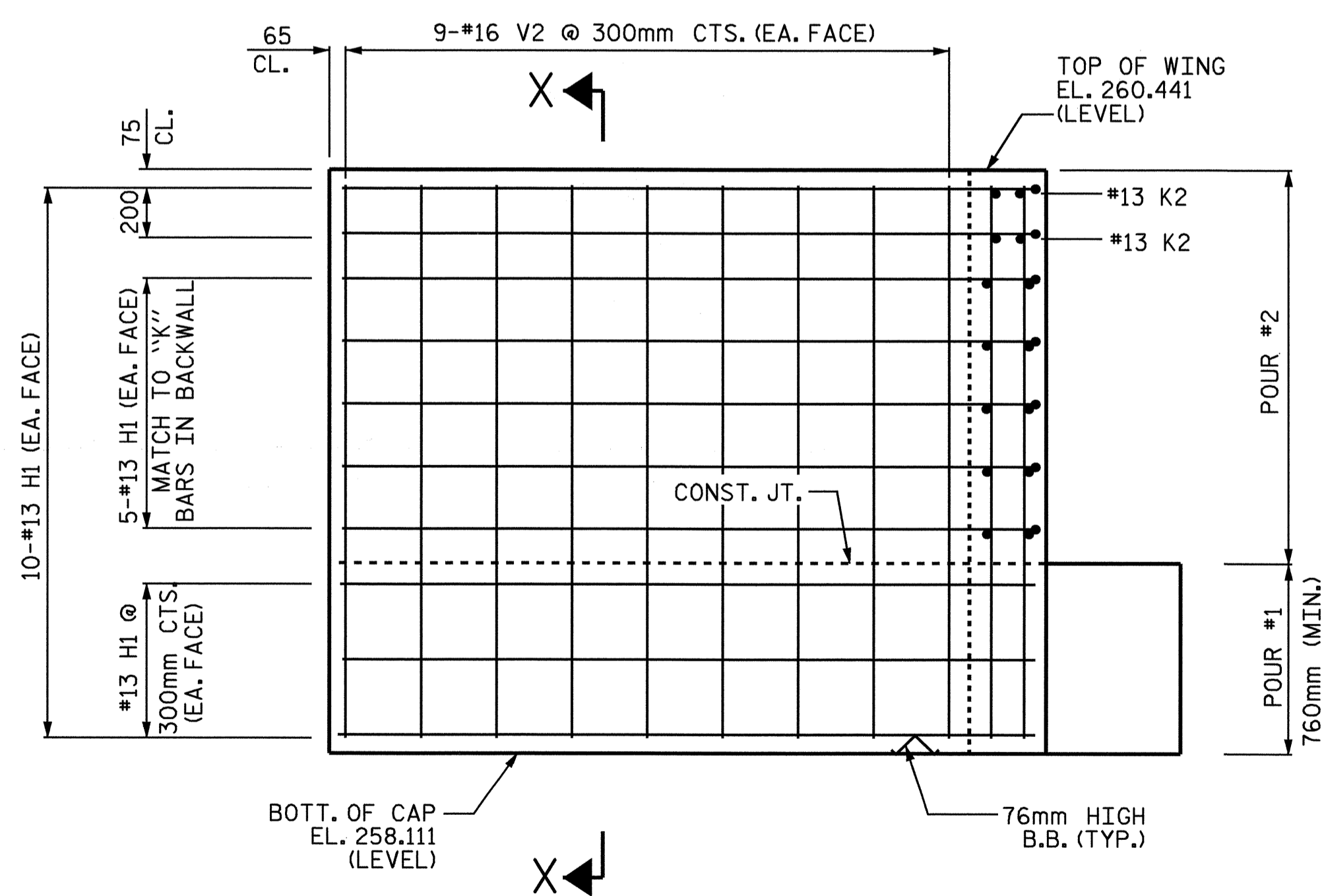
PLAN OF LEFT WING



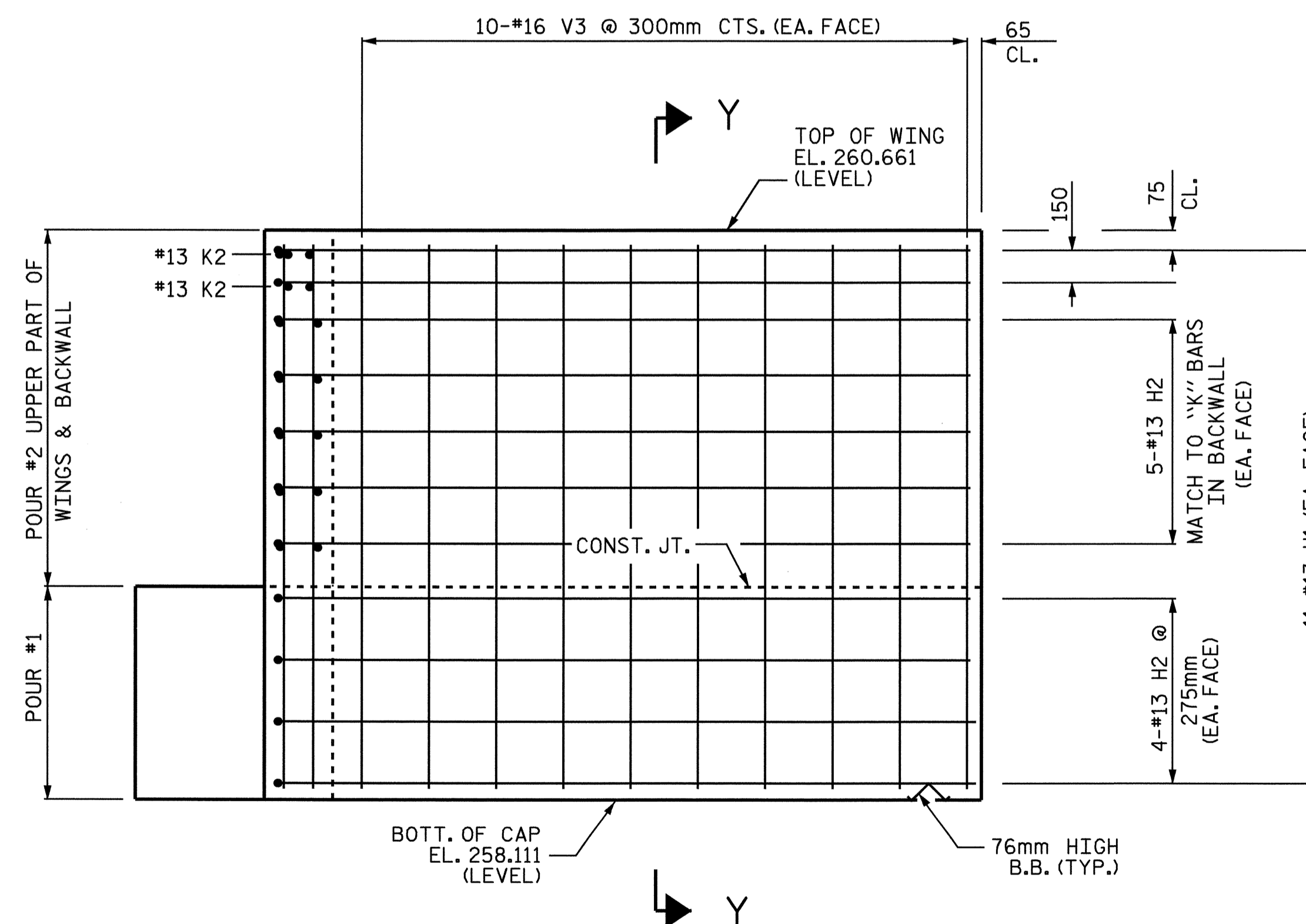
PLAN OF RIGHT WING



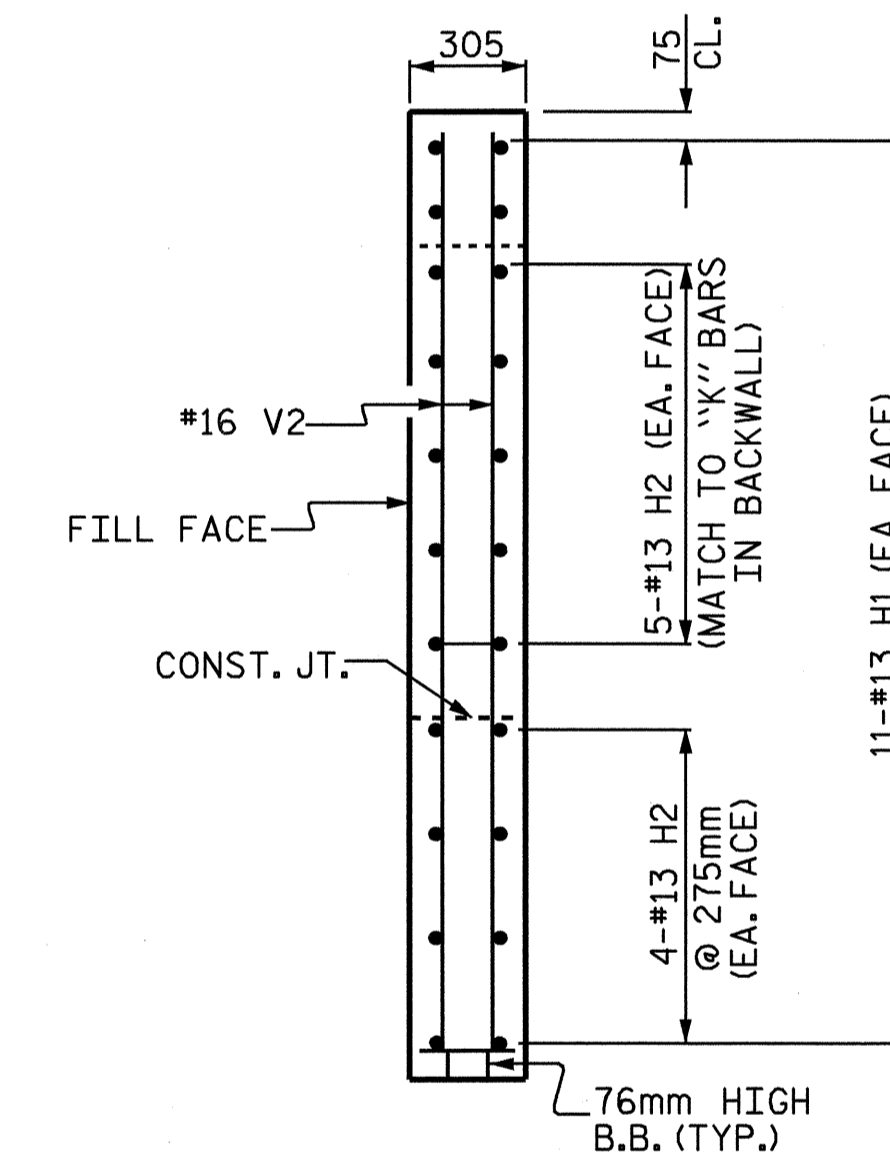
SECTION "X-X"



ELEVATION OF LEFT WING



ELEVATION OF RIGHT WING



SECTION "Y-Y"

PROJECT NO. R-2206C
 LINCOLN-CATAWBA COUNTY
 STATION: 223+03.850-L-

SHEET 2 OF 3

STATE OF NORTH CAROLINA
 DEPARTMENT OF TRANSPORTATION
 RALEIGH

SUBSTRUCTURE
 END BENT #2
 LEFT LANE



E. M. Murray
 9/9/04

DRAWN BY : M.D.PISO DATE : 02/2004
 CHECKED BY : P.ADKINS DATE : 04/2004

03-SEP-2004 14:44
 w:\squadq\2206c\Final Plans\Str. 9\2206c.sd.EB2.9.dgn
 padkins

REVISIONS					SHEET NO.
NO.	BY:	DATE:	NO.	DATE:	S-155
1			3		TOTAL SHEETS
2			4		374

STR. #9