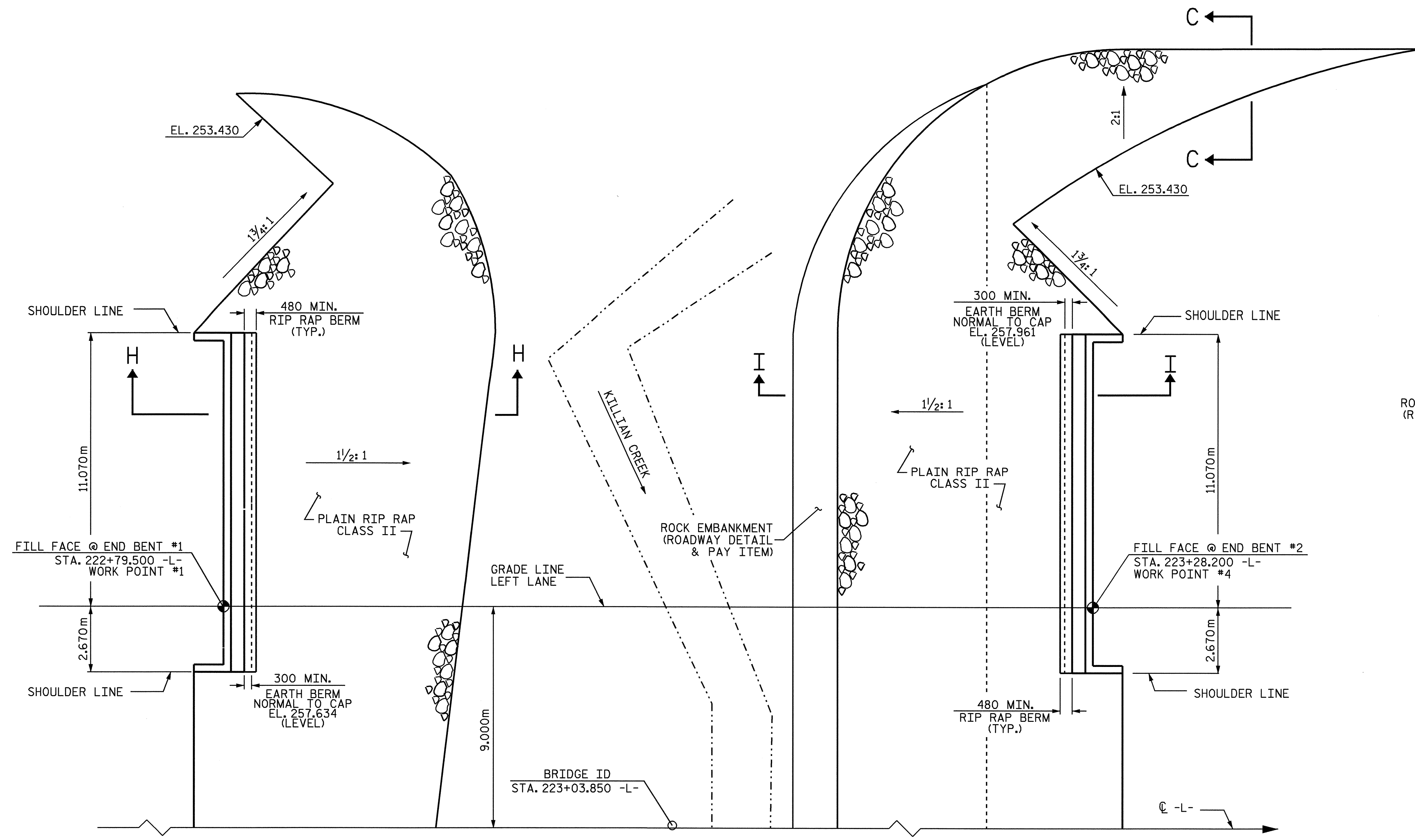
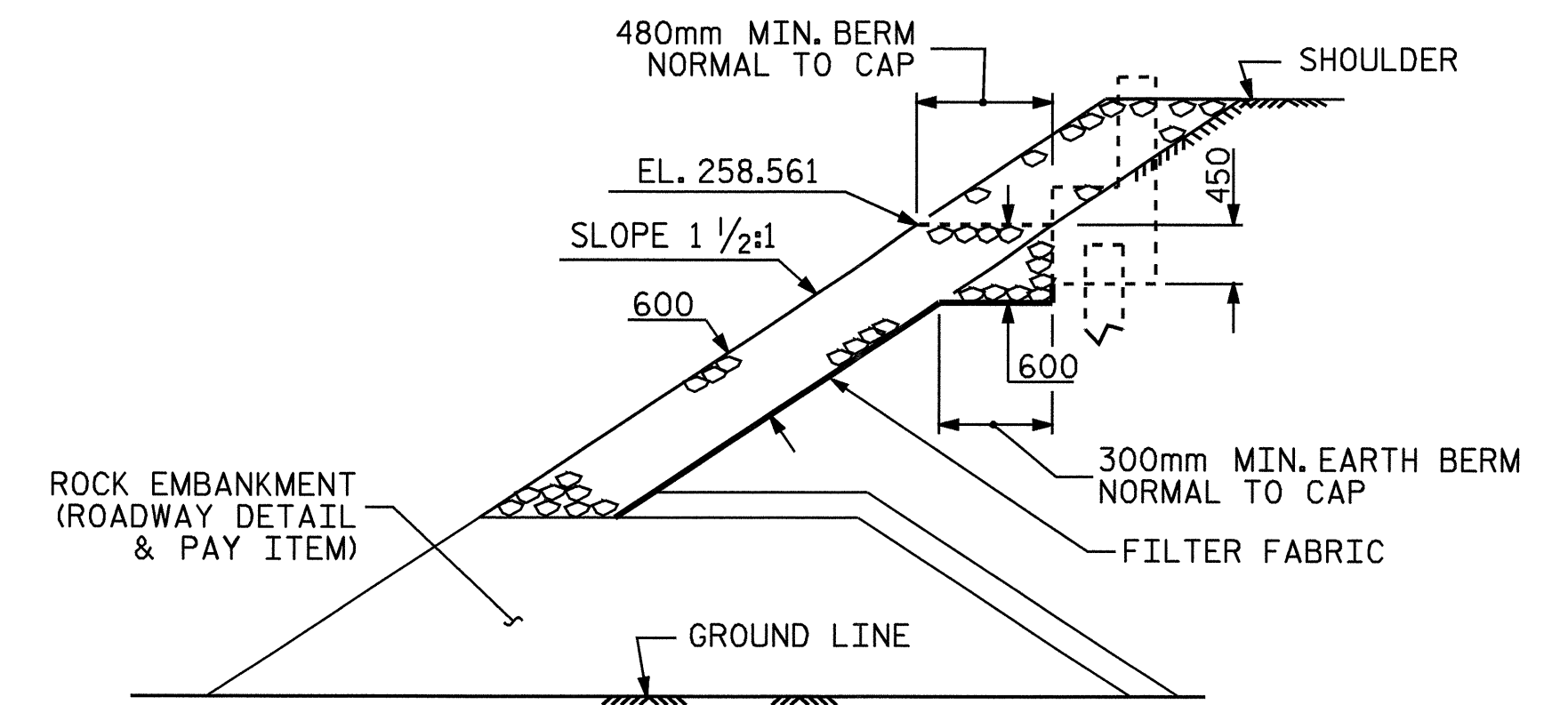


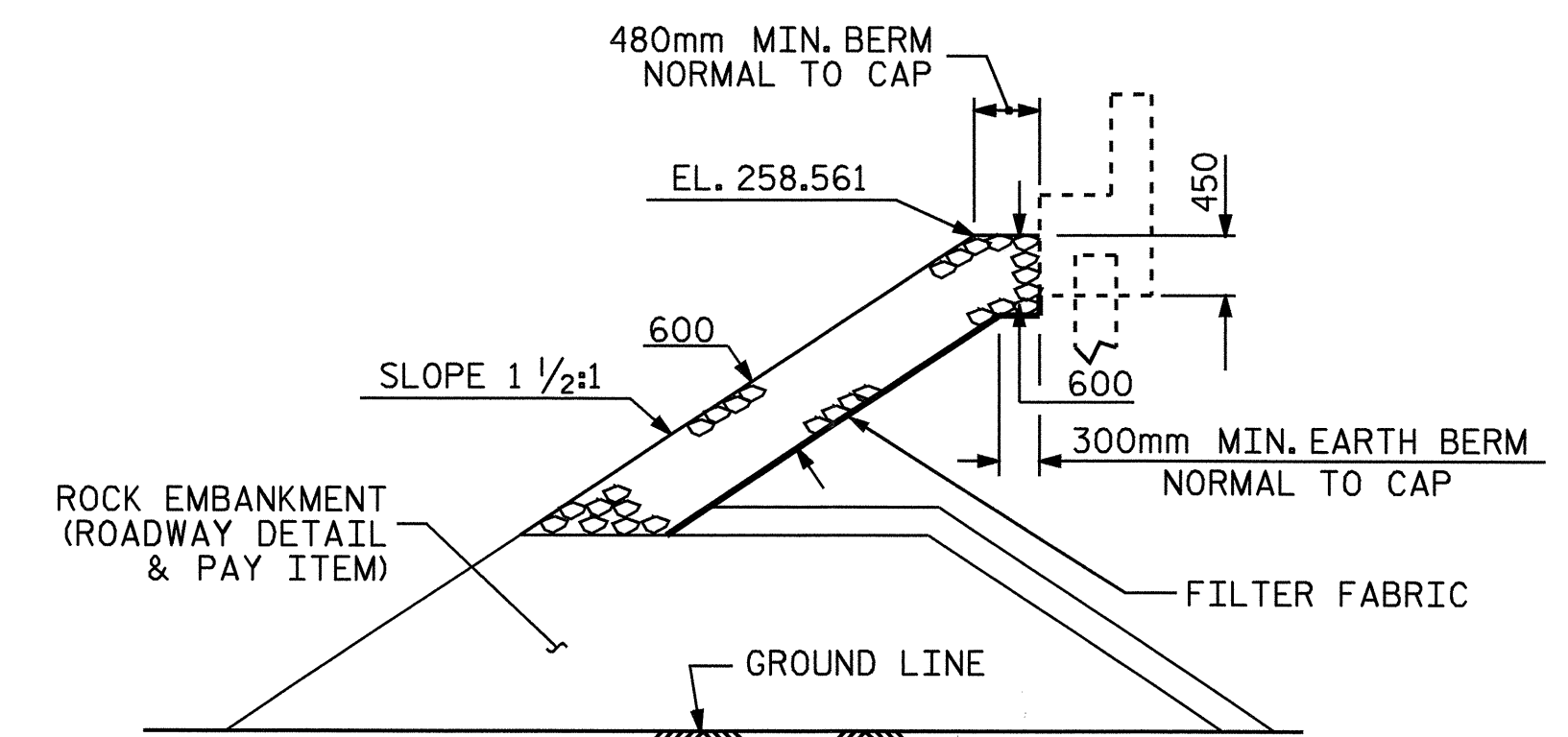
ESTIMATED QUANTITIES		
BRIDGE @ STA. 223+03.850-L- (LEFT LANE)	PLAIN RIP RAP CLASS II	FILTER FABRIC FOR DRAINAGE
	METRIC TON	SQUARE METERS
END BENT 1	294	300
END BENT 2	430	439



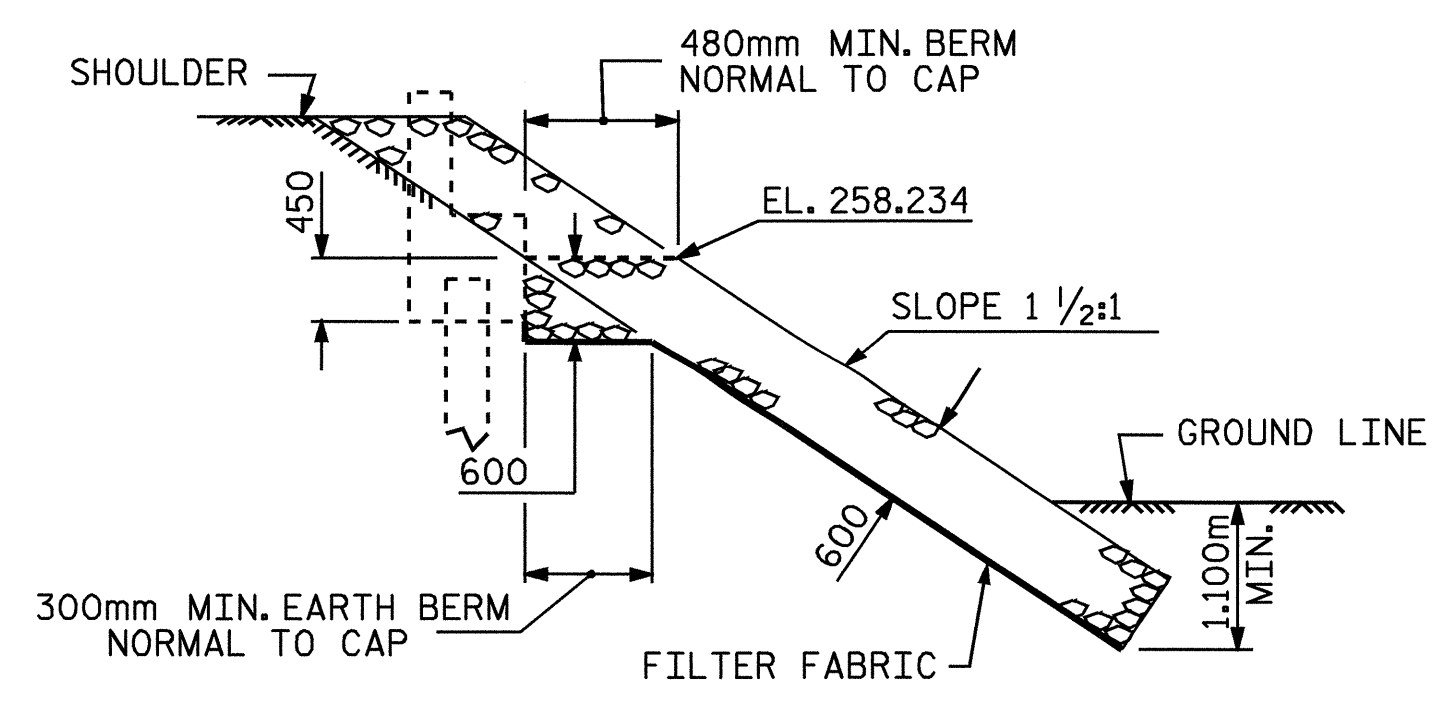
PLAN OF RIP RAP



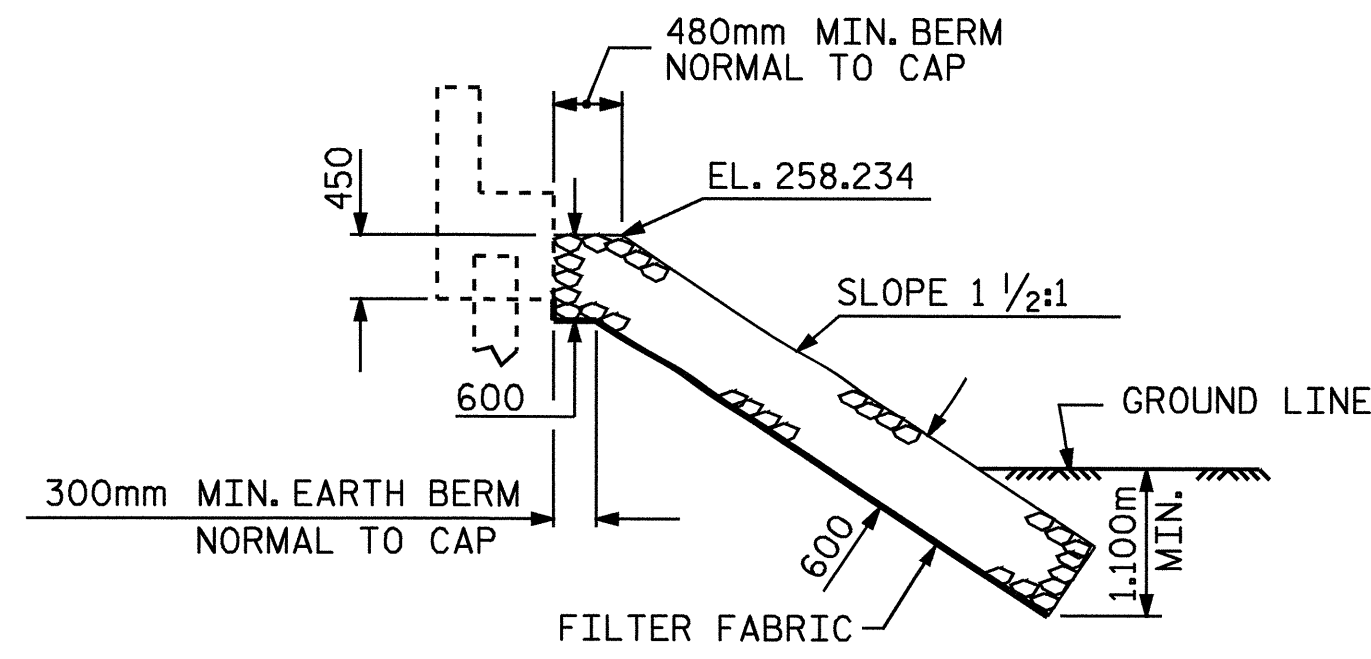
**SECTION I-I
(@ END BENT #2)**



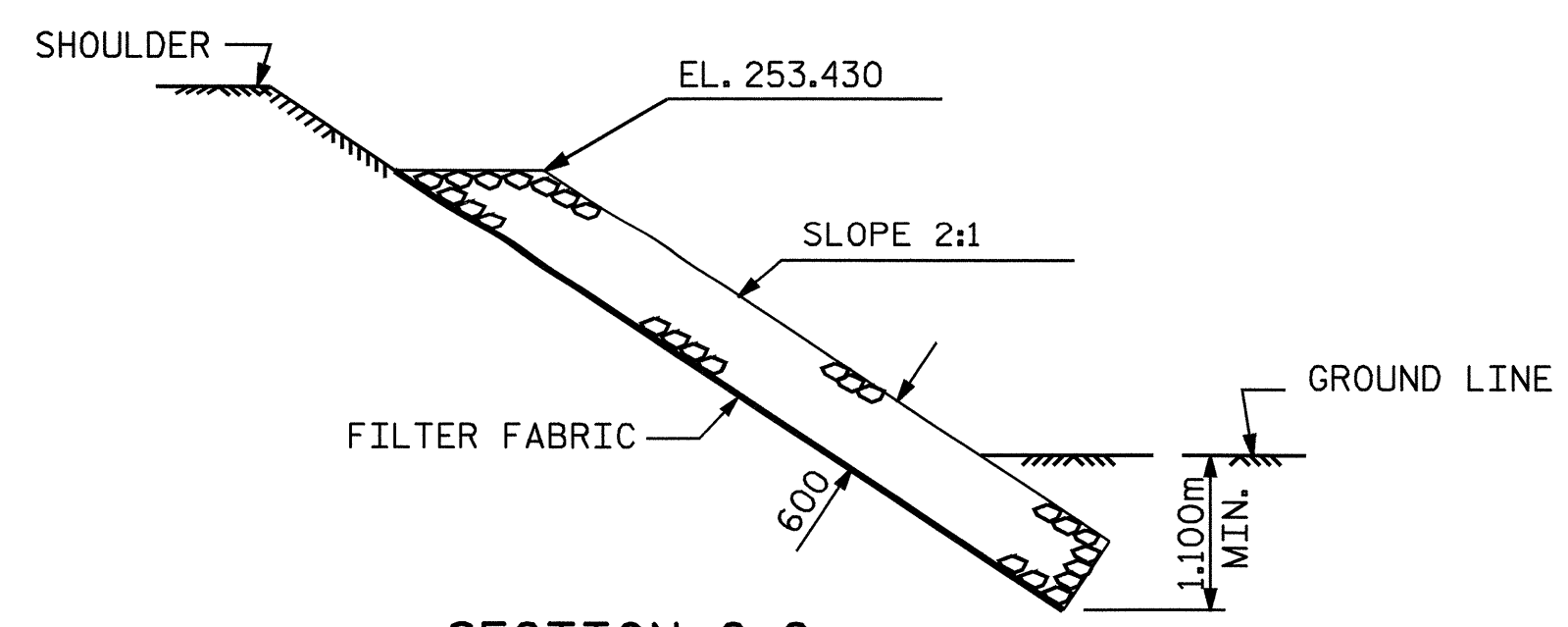
**SECTION C-C
BERM RIP RAPPED
(@ END BENT #2)**



**SECTION H-H
(@ END BENT #1)**



**SECTION C-C
BERM RIP RAPPED
(@ END BENT #1)**



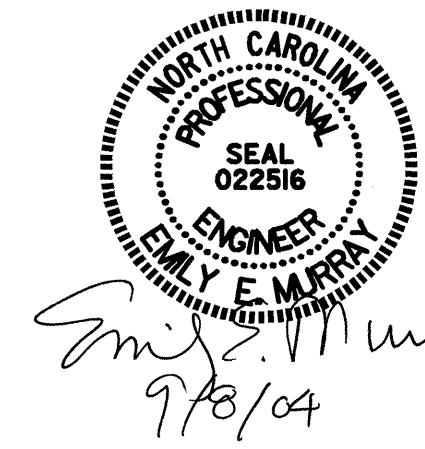
SECTION C-C

PROJECT NO. R-2206C
LINCOLN-CATAWBA COUNTY
 STATION: 223+03.850 -L-

STATE OF NORTH CAROLINA
 DEPARTMENT OF TRANSPORTATION
 RALEIGH

RIP RAP DETAILS
LEFT LANE

REVISIONS						SHEET NO.
NO.	BY:	DATE:	NO.	BY:	DATE:	TOTAL SHEETS
1			3			5-157
2			4			374



DRAWN BY: C. MILLER DATE: 11-03
 CHECKED BY: I.L. AVERETTE DATE: 04-04