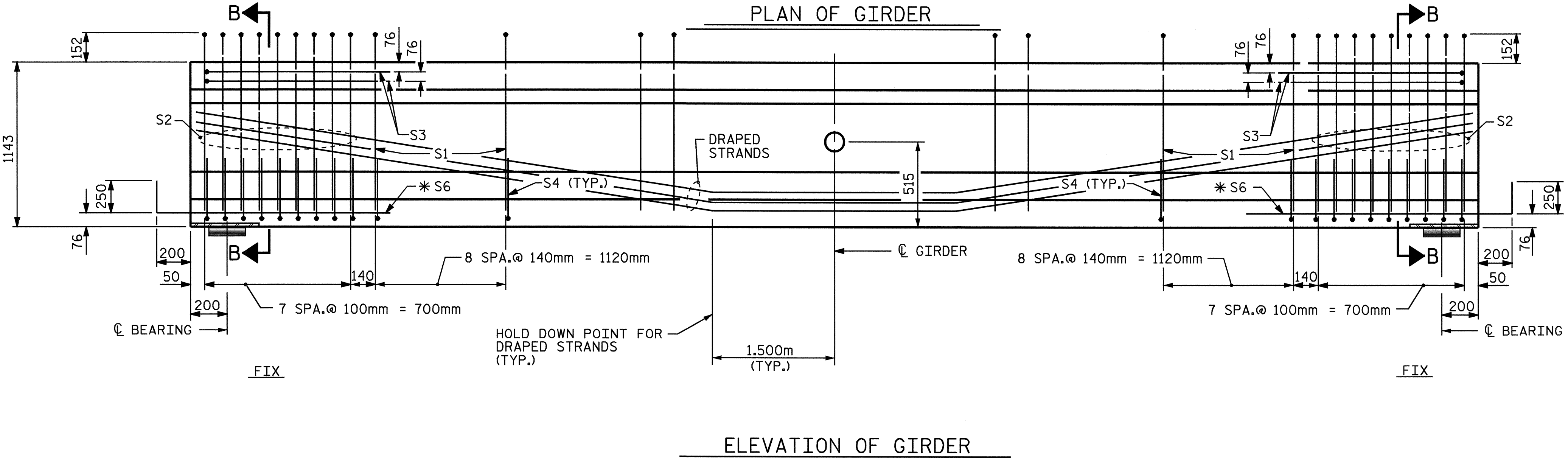
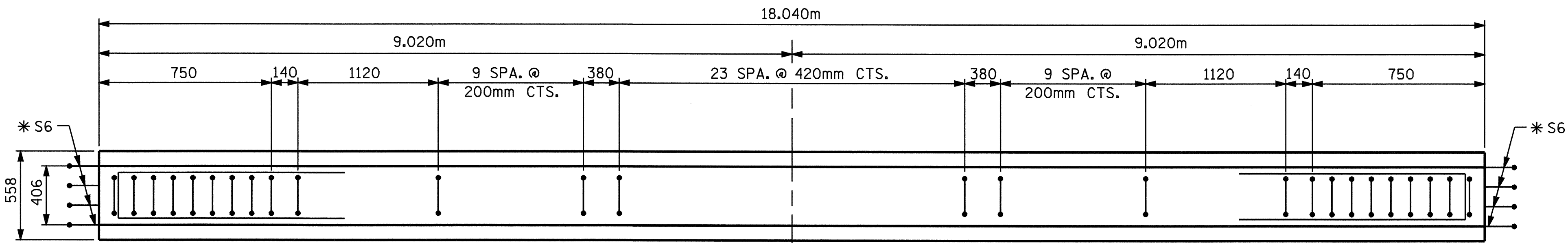
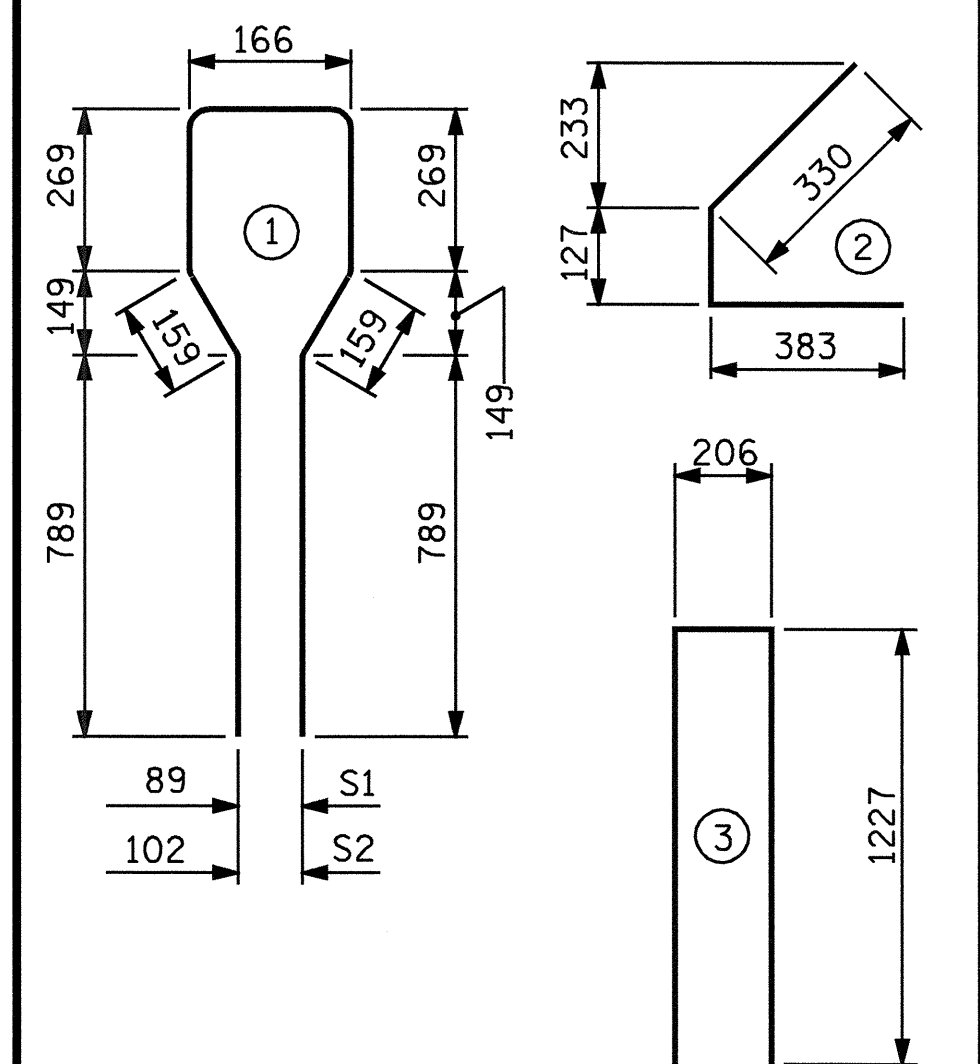


| 12.70mm Ø L.R. GRADE 270 STRANDS |                                   |                                   |
|----------------------------------|-----------------------------------|-----------------------------------|
| AREA (mm <sup>2</sup> )          | ULTIMATE STRENGTH (KN PER STRAND) | APPLIED PRESTRESS (KN PER STRAND) |
| 98.71                            | 183.7                             | 137.8                             |

| REINFORCING STEEL FOR ONE GIRDER |        |      |      |        |        |
|----------------------------------|--------|------|------|--------|--------|
| BAR                              | NUMBER | SIZE | TYPE | LENGTH | WEIGHT |
| S1                               | 60     | #13  | 1    | 2600   | 155    |
| S2                               | 16     | #19  | 1    | 2600   | 93     |
| S3                               | 4      | #13  | 3    | 2660   | 11     |
| S4                               | 68     | #13  | 2    | 840    | 57     |
| *S6                              | 8      | #16  | STR  | 1120   | 14     |

\* NOTE: S6 BARS SHALL BE BENT BEFORE SHIPMENT. HEAT BENDING SHALL NOT BE ALLOWED.

**BAR TYPES**  
ALL BAR DIMENSIONS ARE OUT-TO-OUT



| QUANTITIES FOR ONE GIRDER |                   |                   |                        |
|---------------------------|-------------------|-------------------|------------------------|
|                           | REINFORCING STEEL | 37.9 MPa CONCRETE | 12.70mm Ø L.R. STRANDS |
|                           | kg                | m <sup>3</sup>    | No.                    |
|                           | 330               | 6.5               | 26                     |

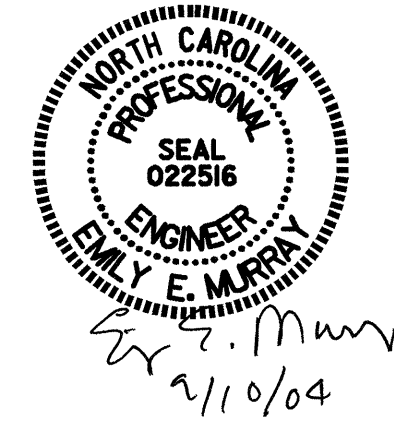
| GIRDERS REQUIRED |         |              |
|------------------|---------|--------------|
| NUMBER           | LENGTH  | TOTAL LENGTH |
| 4                | 18.040m | 72.160m      |

PROJECT NO. R-2206C  
LINCOLN-CATAWBA COUNTY  
 STATION: 223+03.850 -L-

SHEET 2 OF 3

STATE OF NORTH CAROLINA  
 DEPARTMENT OF TRANSPORTATION  
 RALEIGH

STANDARD  
 AASHTO TYPE III  
 PRESTRESSED CONCRETE GIRDER  
 CONTINUOUS FOR LIVE LOAD  
 FOR SPAN "B"  
 RIGHT LANE



| REVISIONS |     |       |     |     | SHEET NO. |
|-----------|-----|-------|-----|-----|-----------|
| NO.       | BY: | DATE: | NO. | BY: | DATE:     |
| 1         |     |       | 3   |     |           |
| 2         |     |       | 4   |     |           |

TOTAL SHEETS: 374

ASSEMBLED BY : PEGGY ADKINS DATE : 2-04  
 CHECKED BY : T. AVERETTE DATE : 3-04

DRAWN BY : ELR 8/91 REV. 5/16/97 EEM/RGW  
 CHECKED BY : GRP 8/91 REV. 7/17/98 RWW/LES  
 REV. 10/17/00 RWW/LES