

SUPERSTRUCTURE REINFORCING STEEL LENGTHS ARE BASED ON THE FOLLOWING MINIMUM SPLICE LENGTHS

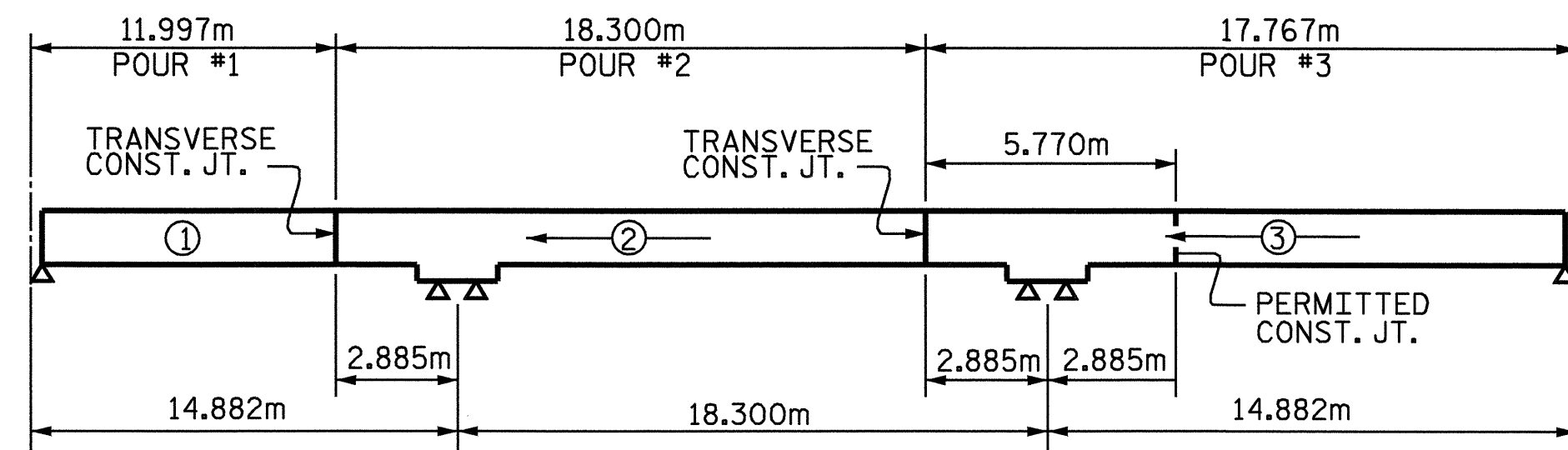
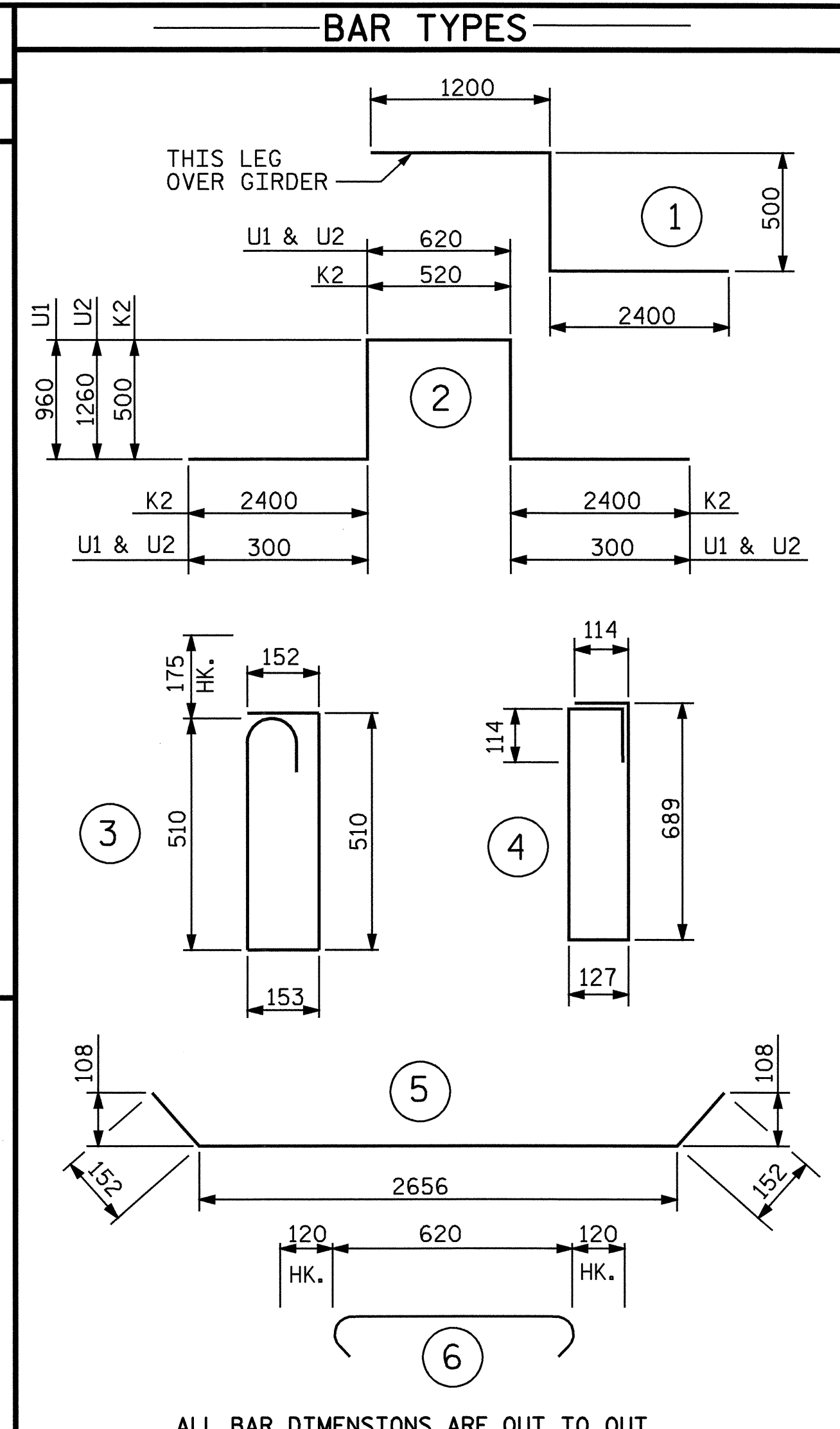
BAR SIZE	SUPERSTRUCTURE EXCEPT APPROACH SLABS, PARAPET, AND BARRIER RAIL		APPROACH SLABS		PARAPET AND BARRIER RAIL
	EPOXY COATED	UNCOATED	EPOXY COATED	UNCOATED	
#13	610	540	610	540	840
#16	770	660	770	660	1050
#19	920	790	1190	790	1330
#22	1580	1060			
#25	2080	1390			

GROOVING BRIDGE FLOORS

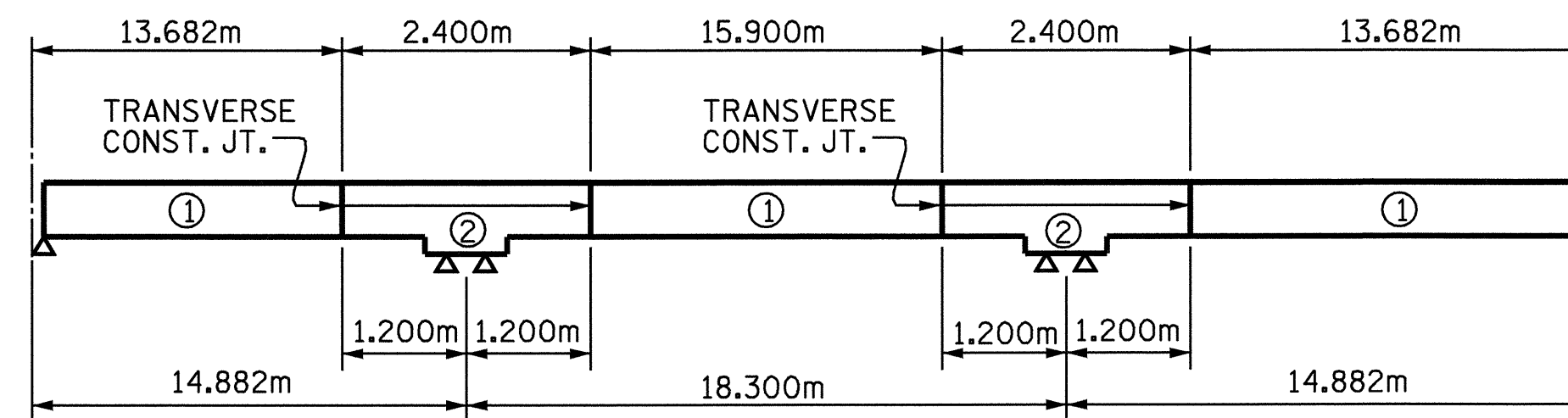
BRIDGE DECK	473.6	SQ.METER
APPROACH SLAB	149.6	SQ.METER
TOTAL	623.2	SQ.METER

REINFORCING BAR SCHEDULE

BAR	NO	SIZE	TYPE	LENGTH	WEIGHT
* A1	320	16	STR	11640	5781
A2	320	16	STR	11640	5781
* B1	112	13	STR	5420	603
B2	141	16	STR	16440	3598
* B3	56	22	STR	13200	2249
B4	50	22	STR	5100	776
* B5	28	13	STR	7100	198
* K1	8	25	1	4100	130
* K2	8	25	2	6320	201
K3	16	13	STR	5140	82
K4	18	16	5	2960	83
K5	18	16	STR	2820	79
K6	12	13	STR	2220	26
K7	12	13	STR	2860	34
K8	12	13	STR	2960	35
K9	12	13	STR	2720	32
* S1	60	16	3	1500	140
S2	81	13	4	1860	150
S3	150	13	6	860	128
U1	12	13	2	3140	37
U2	42	13	2	3740	156
REINFORCING STEEL					10221 kg.
* EPOXY COATED REINFORCING STEEL					10078 kg.

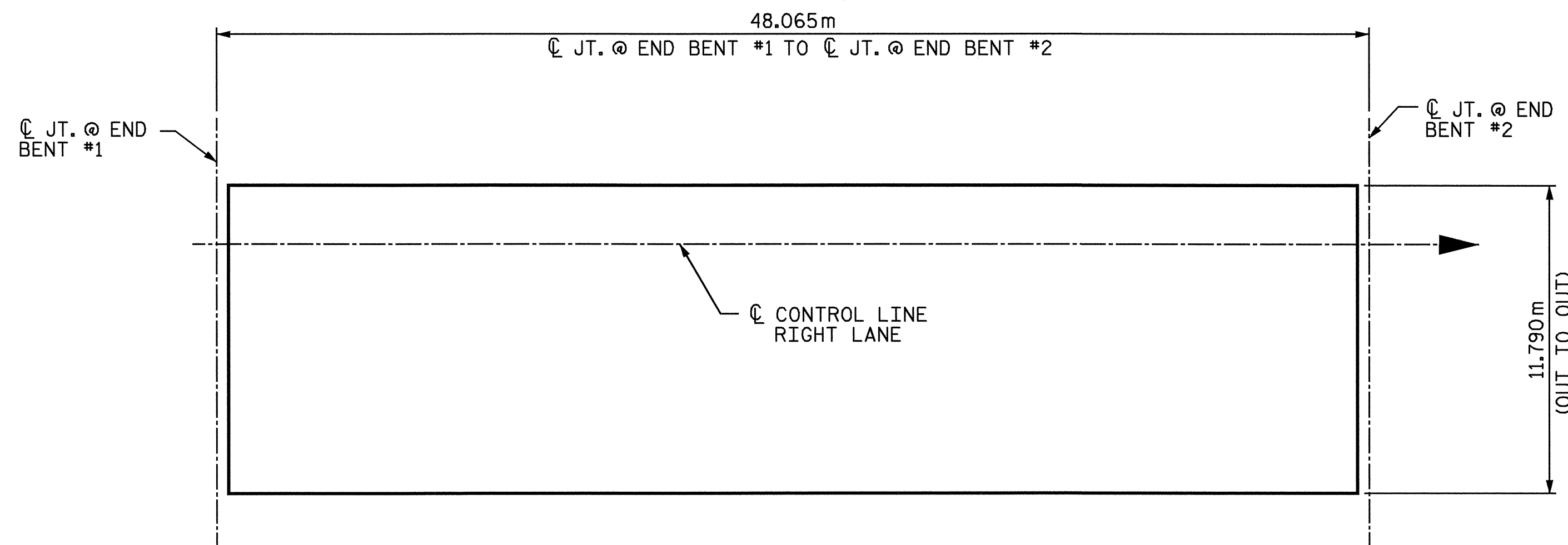


POURING SEQUENCE

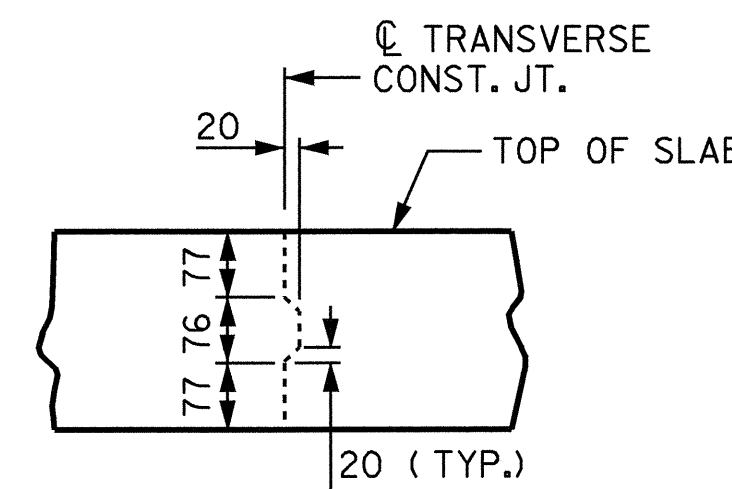


OPTIONAL POURING SEQUENCE

POUR ② CANNOT BE STARTED UNTIL BOTH ADJACENT ① POURS REACH A MIN. OF 20.7 MPa



LAYOUT FOR COMPUTING AREA OF REINFORCED CONCRETE DECK SLAB (SQ. METER = 566.7)



TRANSVERSE CONSTRUCTION JOINT DETAIL

NOTE: REINFORCING STEEL IN SLAB NOT SHOWN. LONGITUDINAL REINFORCING STEEL SHALL BE CONTINUOUS THRU JOINT.

— SUPERSTRUCTURE BILL OF MATERIAL —

	CLASS AA CONCRETE (CU. METER)	REINFORCING STEEL (kg)	EPOXY COATED REINFORCING STEEL (kg)
POUR #1	40.9		
POUR #2	67.8	10221	10078
POUR #3	67.2		
TOTALS**	175.9	10221	10078

** QUANTITIES FOR BARRIER RAIL ARE NOT INCLUDED

PROJECT NO. R-2206C
LINCOLN-CATAWBA COUNTY
 STATION: 223+03.850 -L-



STATE OF NORTH CAROLINA
 DEPARTMENT OF TRANSPORTATION
 RALEIGH
STANDARD SUPERSTRUCTURE BILL OF MATERIAL
 RIGHT LANE

REVISIONS						SHEET NO.
NO.	BY:	DATE:	NO.	BY:	DATE:	
1			3			TOTAL SHEETS
2			4			374

ASSEMBLED BY : PEGGY ADKINS	DATE : 2-04
CHECKED BY : T. AVERETTE	DATE : 3-04
DRAWN BY : JMB 5/87	REV. 5/16/97 EEM/RGW
CHECKED BY : SJD 9/87	