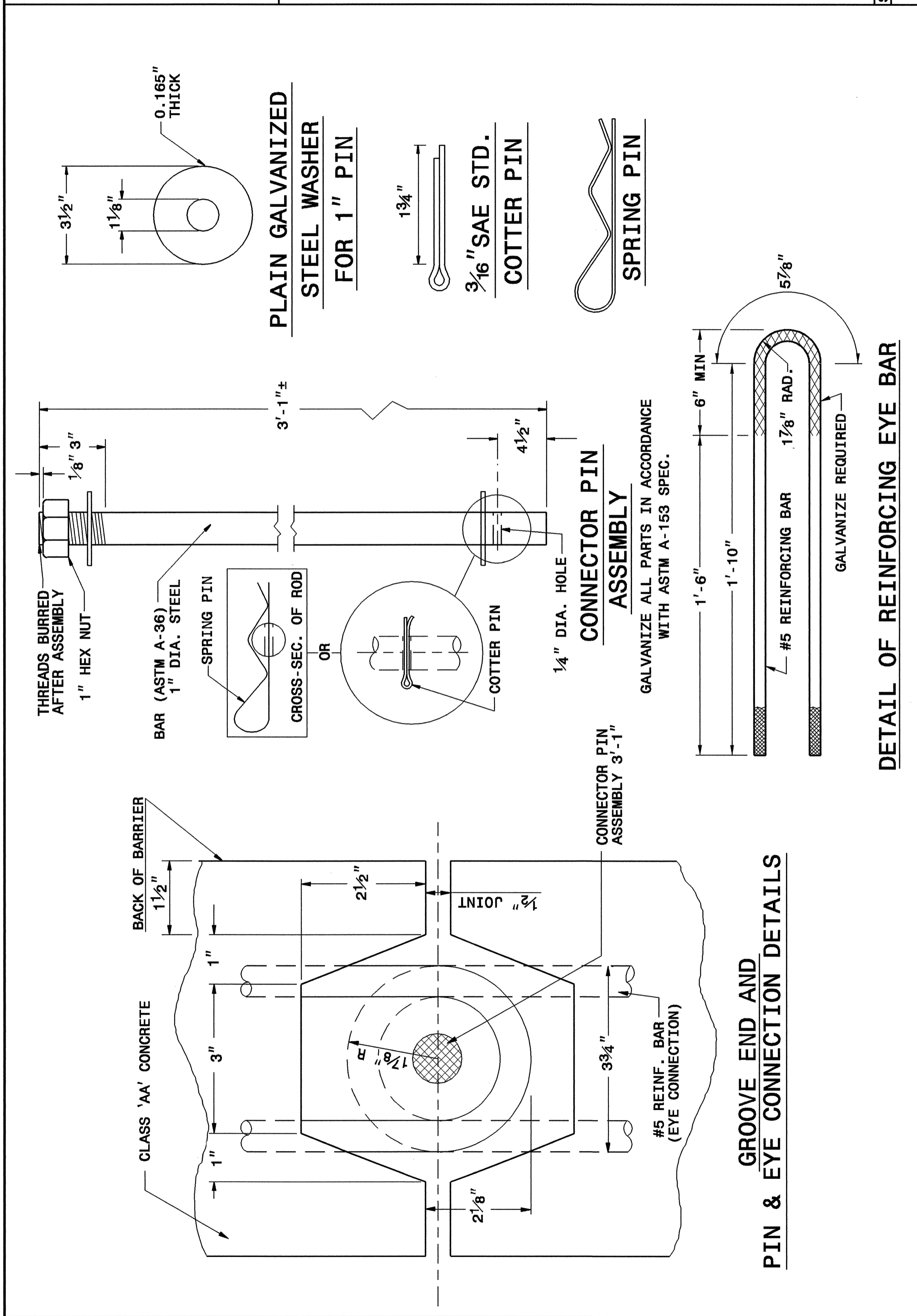


I:\APP-2004\15455\15455\Special Details\ward\stds\02\stds to Special Details\english\85701\857d01.dgn 5/14/99

STATE OF NORTH CAROLINA DEPT. OF TRANSPORTATION DIVISION OF HIGHWAYS RALEIGH, N.C.

ENGLISH DETAIL DRAWING FOR PRECAST REINFORCED CONCRETE BARRIER 41" SINGLE FACED

SHEET 7 OF 8 **857D01**



STATE OF NORTH CAROLINA DEPT. OF TRANSPORTATION DIVISION OF HIGHWAYS RALEIGH, N.C.

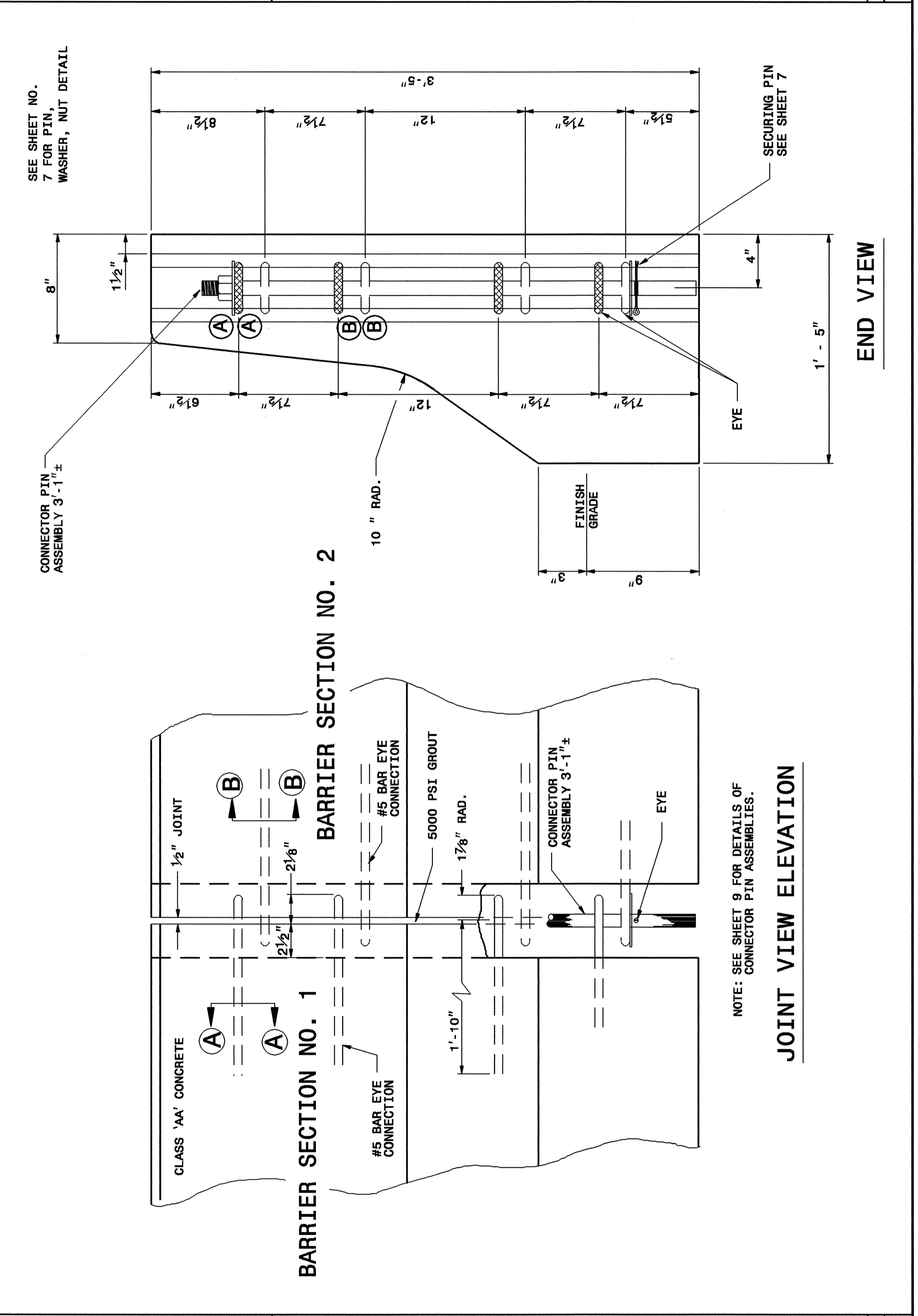
ENGLISH DETAIL DRAWING FOR PRECAST REINFORCED CONCRETE BARRIER 41" SINGLE FACED

SHEET 7 OF 8 **857D01**

STATE OF NORTH CAROLINA DEPT. OF TRANSPORTATION DIVISION OF HIGHWAYS RALEIGH, N.C.

ENGLISH DETAIL DRAWING FOR PRECAST REINFORCED CONCRETE BARRIER 41" SINGLE FACED

SHEET 8 OF 8 **857D01**



STATE OF NORTH CAROLINA DEPT. OF TRANSPORTATION DIVISION OF HIGHWAYS RALEIGH, N.C.

ENGLISH DETAIL DRAWING FOR PRECAST REINFORCED CONCRETE BARRIER 41" SINGLE FACED

SHEET 8 OF 8 **857D01**

DESIGN SERVICES UNIT
STANDARDS AND SPECIAL DESIGN
Office 919-250-4128 FAX 919-250-4119

SEE PLATE FOR TITLE

ORIGINAL BY: 2002 STD.857.01 DATE:
MODIFIED BY: E.E. WARD DATE: 6-12-03
CHECKED BY: DATE:
FILE SPEC.: /usr/stds/02todetail/english/85701/857d01.dgn

