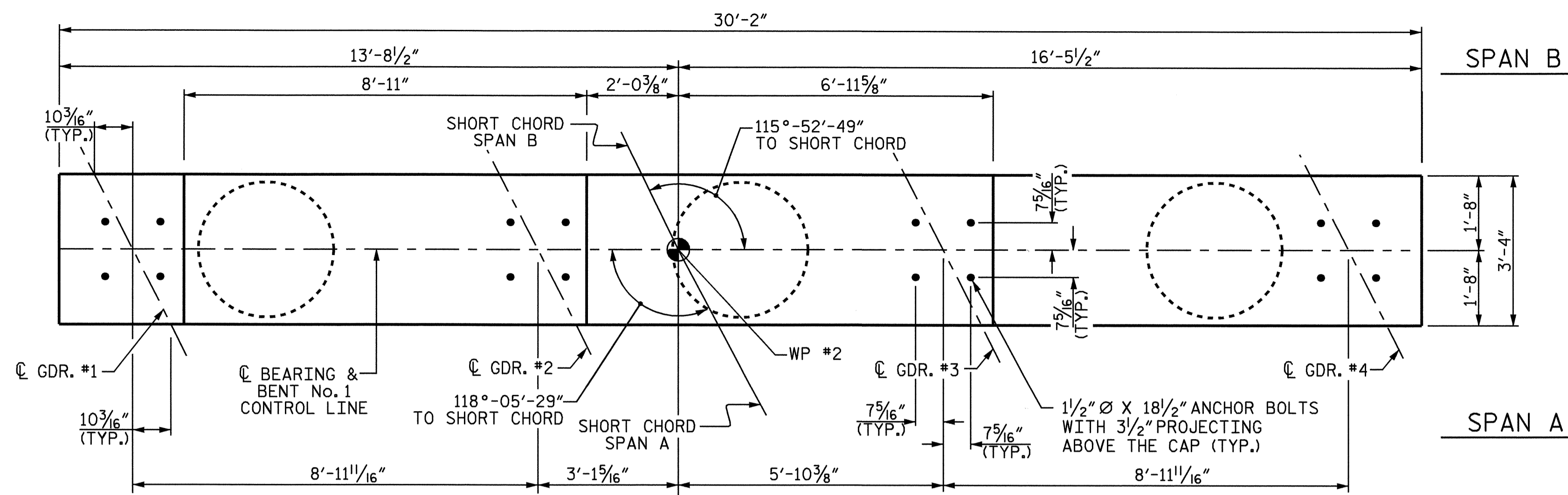
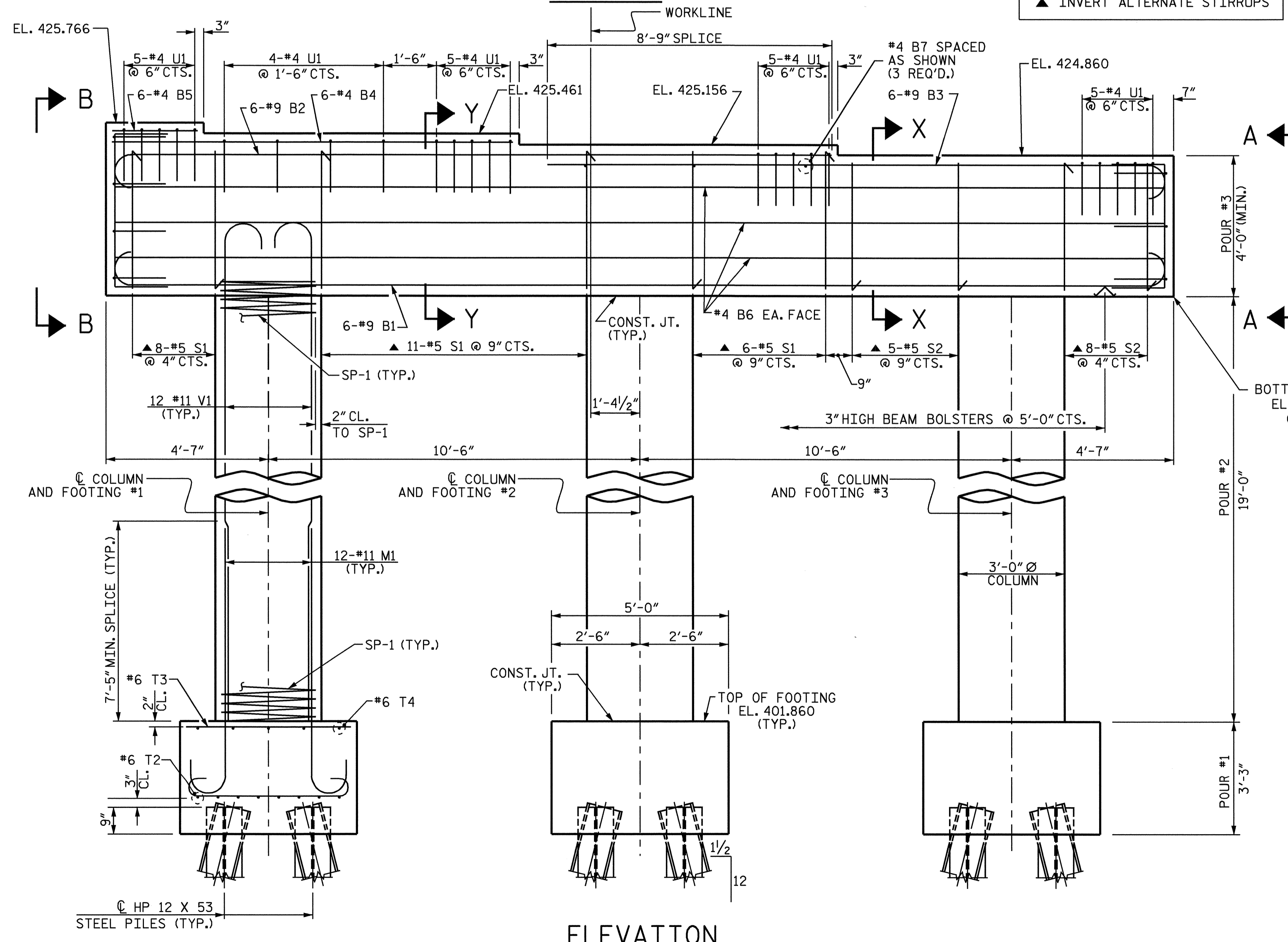


NOTES

STIRRUPS AND "U" BARS IN CAP MAY BE SHIFTED AS NECESSARY TO CLEAR ANCHOR BOLTS.
 HOOKS ON "V" BARS MAY BE TURNED AS NECESSARY FOR PLACING REINFORCING STEEL.
 FOR PILE SPLICE DETAILS, SEE END BENTS.
 THE CONTRACTOR SHALL ADJUST THE GIRDER BUILDUPS AS NECESSARY TO INCORPORATE A MAXIMUM PERMISSIBLE VARIATION IN POT BEARING DEPTH OF 1/2". SEE SPECIAL PROVISION FOR POT BEARINGS.

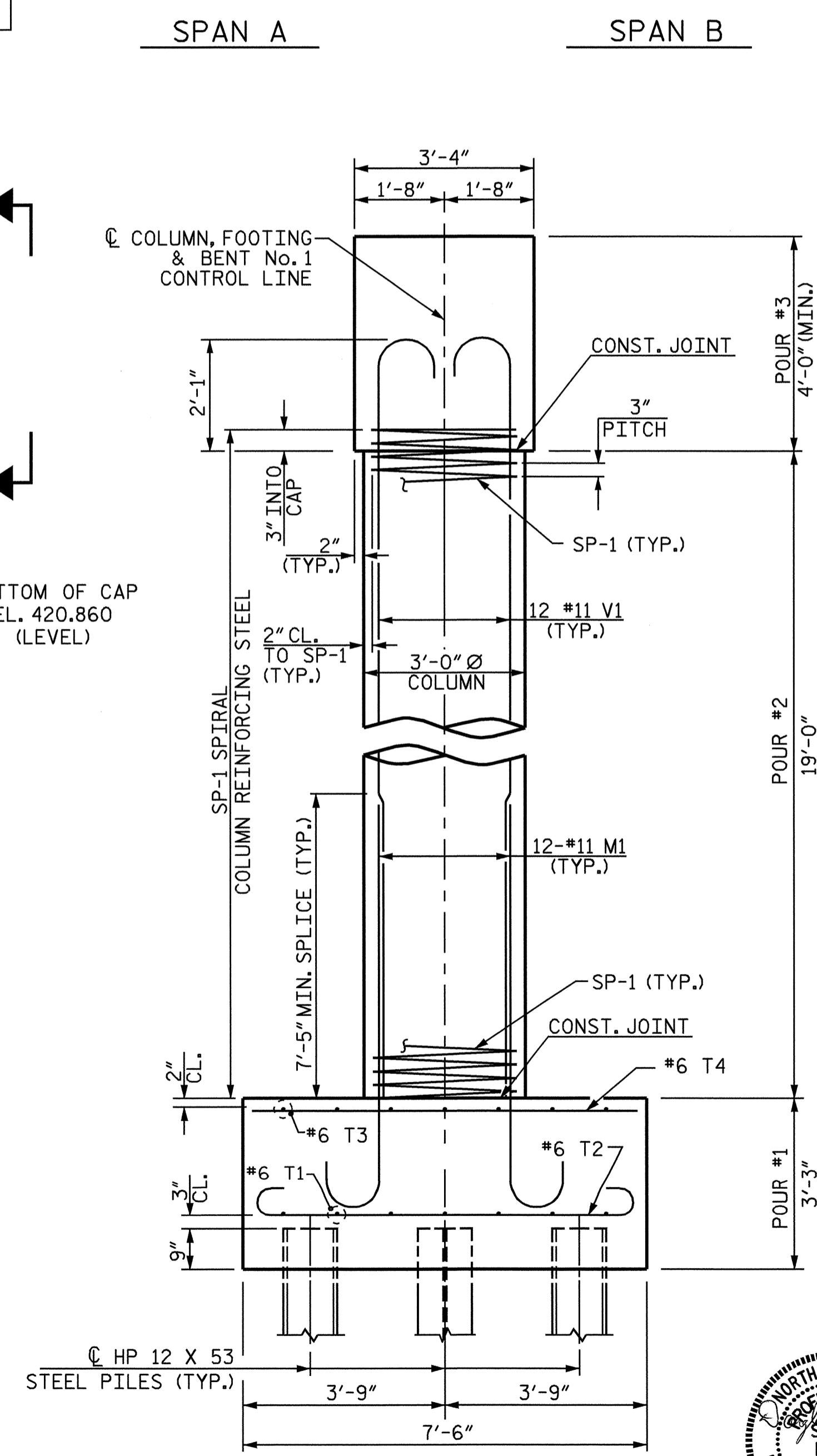


PLAN



ELEVATION

PILE PLACEMENT, REINFORCING STEEL AND DIMENSIONS ARE TYPICAL FOR EACH FOOTING AND COLUMN.

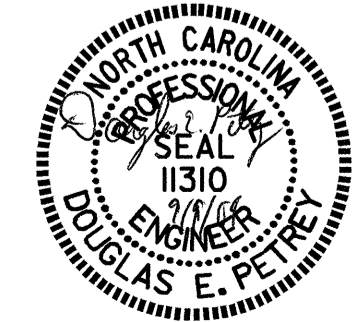


END ELEVATION

PROJECT NO. R-2417BB
LEE COUNTY
 STATION: 519+42.20 -L-

SHEET 1 OF 2

STATE OF NORTH CAROLINA		DEPARTMENT OF TRANSPORTATION		RALEIGH	
SUBSTRUCTURE BENT No. 1					
REVISIONS					
NO.	BY:	DATE:	NO.	BY:	DATE:
1			3		
2			4		
					SHEET NO. S-22
					TOTAL SHEETS 78



DRAWN BY: A. V. ROYAL DATE: 1-04
 CHECKED BY: D. E. PETREY DATE: 2-04

21-AUG-2004 09:15
 w:\squadw\2417BB\aroyal\l\m\rostation\R2417BB.sd.B1.01.dgn
 bngady