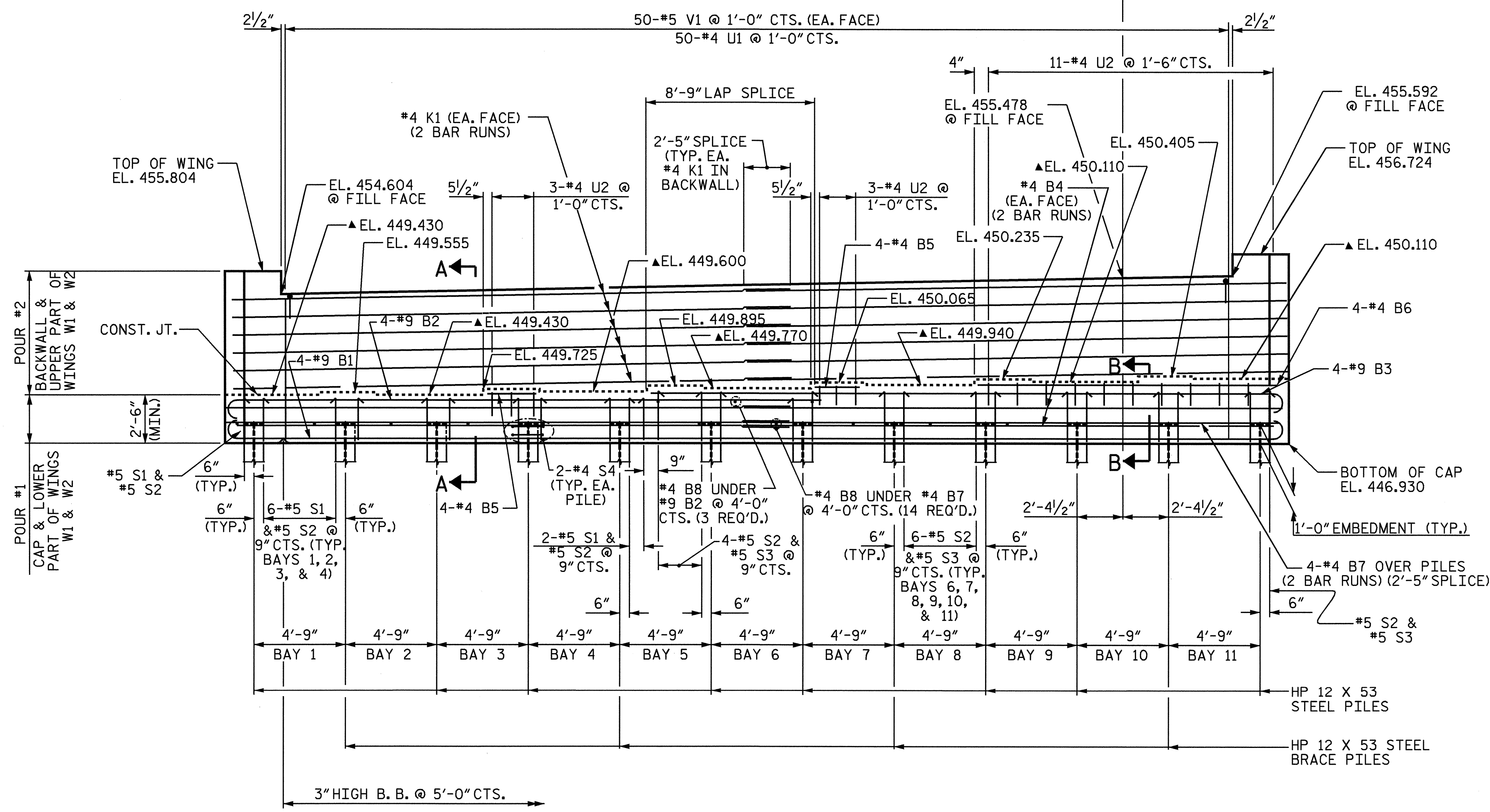


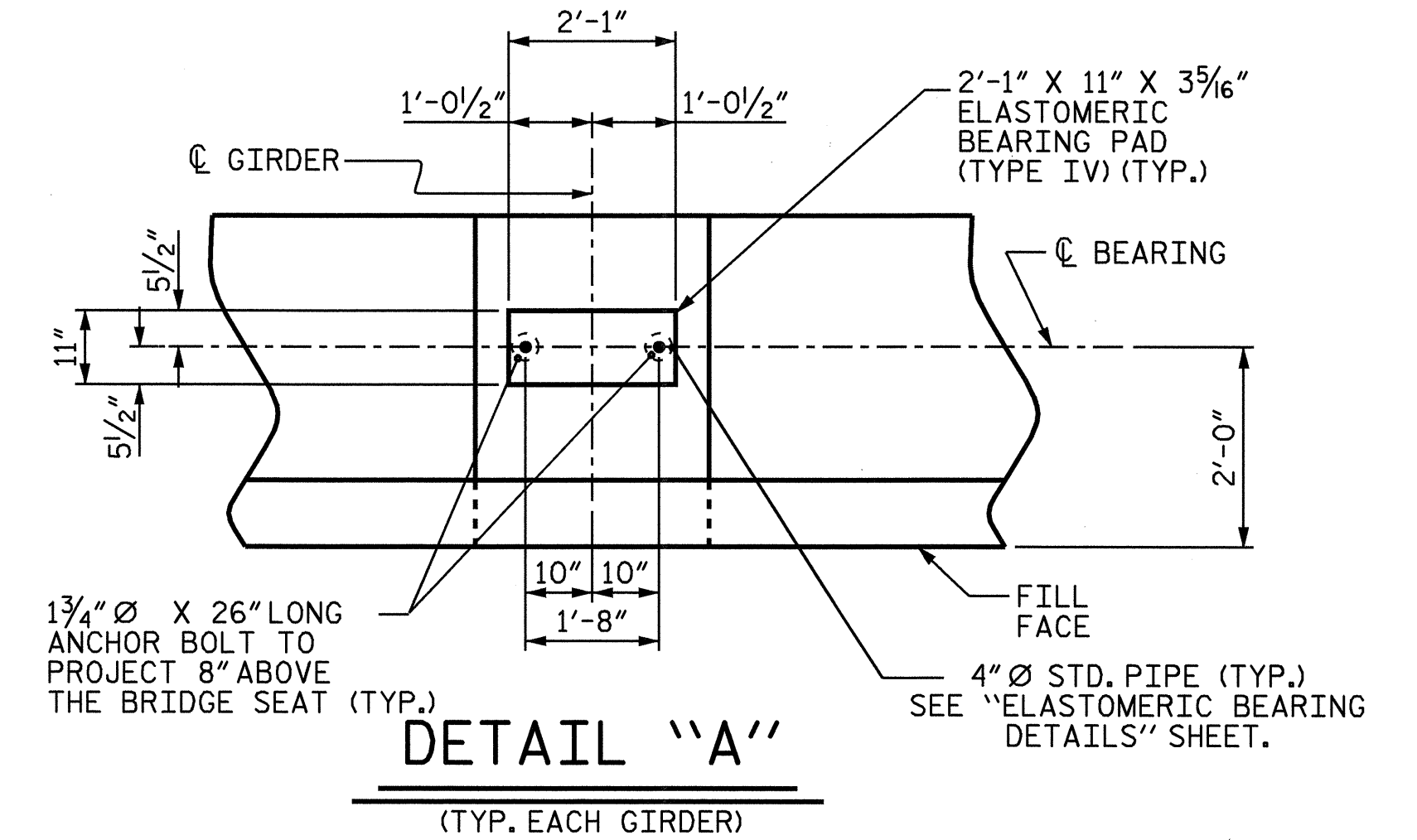
**PLAN**



**ELEVATION**

**NOTES:**

- STIRRUPS AND U2 BARS IN CAP MAY BE SHIFTED AS NECESSARY TO CLEAR ANCHOR BOLTS.
- BACKWALL SHALL BE PLACED BEFORE APPLYING THE EPOXY PROTECTIVE COATING.
- ▲ FOR LOCATION OF ELEVATIONS BETWEEN BUILDUPS, SEE SECTIONS A-A & B-B ON SHEET 3 OF 3.
- #5 V1 BARS IN THE BACKWALL SHALL BE PLACED 2" CLEAR FROM TOP OF BACKWALL.
- FOR EPOXY PROTECTIVE COATING, SEE SPECIAL PROVISIONS.
- THE TOP SURFACE OF THE CAP EXCEPT THE BRIDGE SEAT BUILDUPS SHALL BE SLOPED TRANSVERSELY FROM THE FILL FACE TO THE BACK FACE AT THE RATE OF 2%.
- THE CONTRACTOR SHALL PROVIDE FOR INSTALLATION OF THE 4" DIAMETER DRAIN PIPE THROUGH THE WING WALL AS REQUIRED FOR REINFORCED BRIDGE APPROACH FILLS, SEE THE ROADWAY PLANS. REINFORCING STEEL IN THE WING WALL MAY BE SHIFTED AS NECESSARY TO CLEAR THE DRAIN PIPE.
- EPOXY COAT THE END BENT CAP AFTER ADJUSTMENTS ARE MADE TO BEARINGS AND ANCHOR BOLTS ARE GROUTED.



**DETAIL "A"**  
(TYP. EACH GIRDER)

PROJECT NO. R-2417BB  
LEE COUNTY  
 STATION: 565+49.40 -L-

SHEET 1 OF 3

STATE OF NORTH CAROLINA DEPARTMENT OF TRANSPORTATION RALEIGH						SHEET NO.
SUBSTRUCTURE END BENT No. 1 LEFT LANE						S-46
REVISIONS						TOTAL SHEETS
NO.	BY:	DATE:	NO.	BY:	DATE:	78
1			3			
2			4			



DRAWN BY: R. G. EMERSON DATE: 04/04  
 CHECKED BY: A. R. CHESSON DATE: 04/04