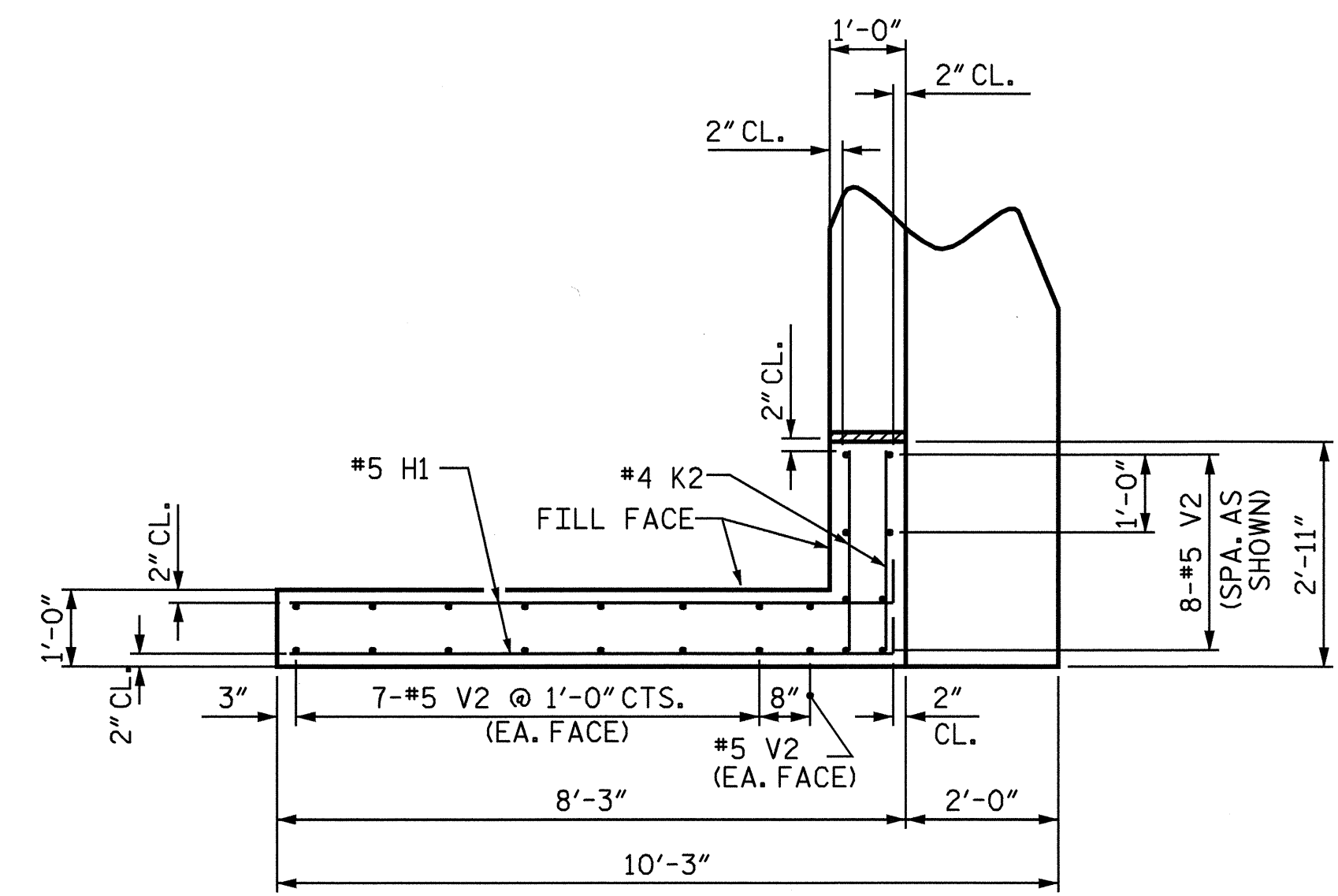
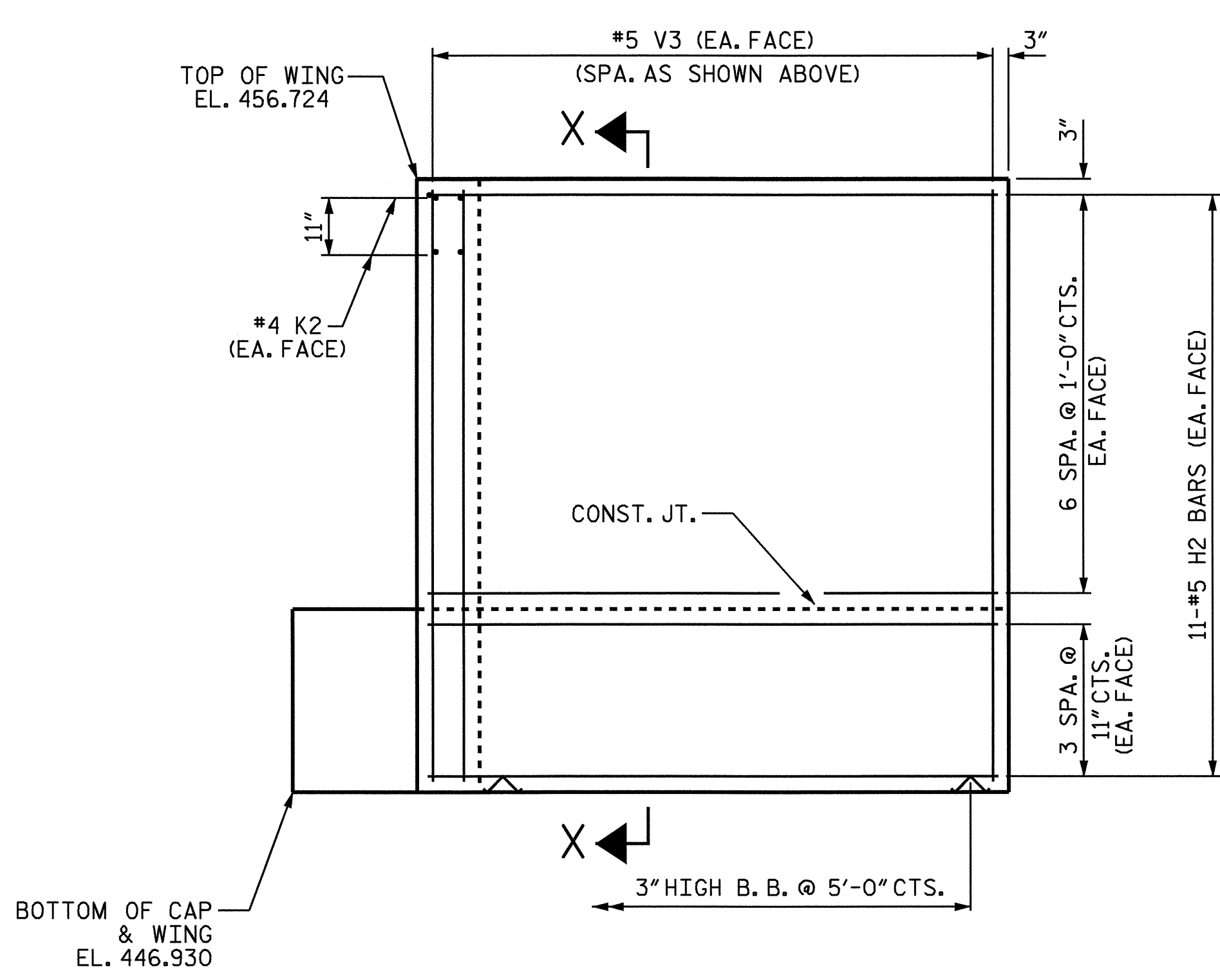


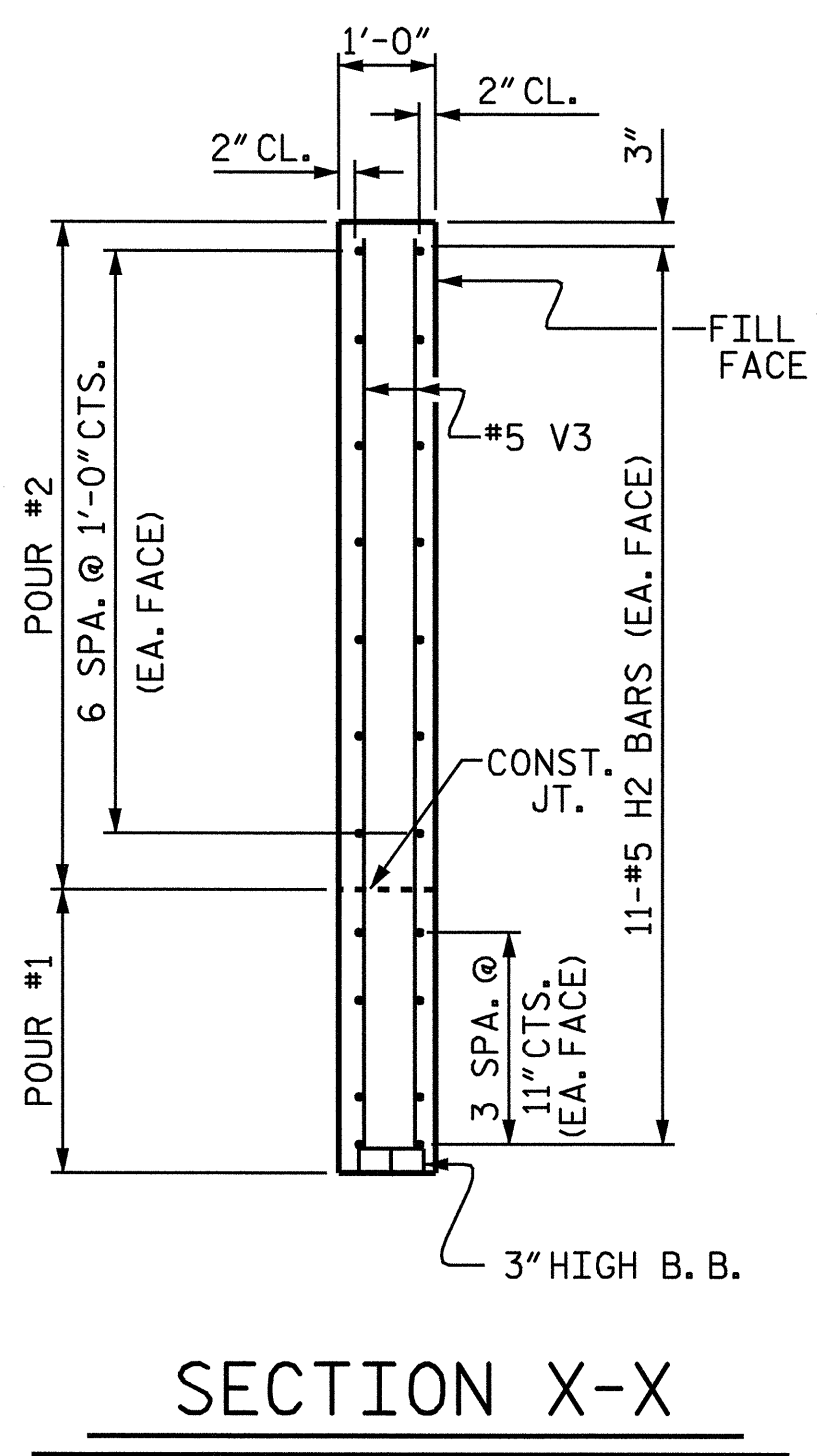
PLAN OF WING (W1)



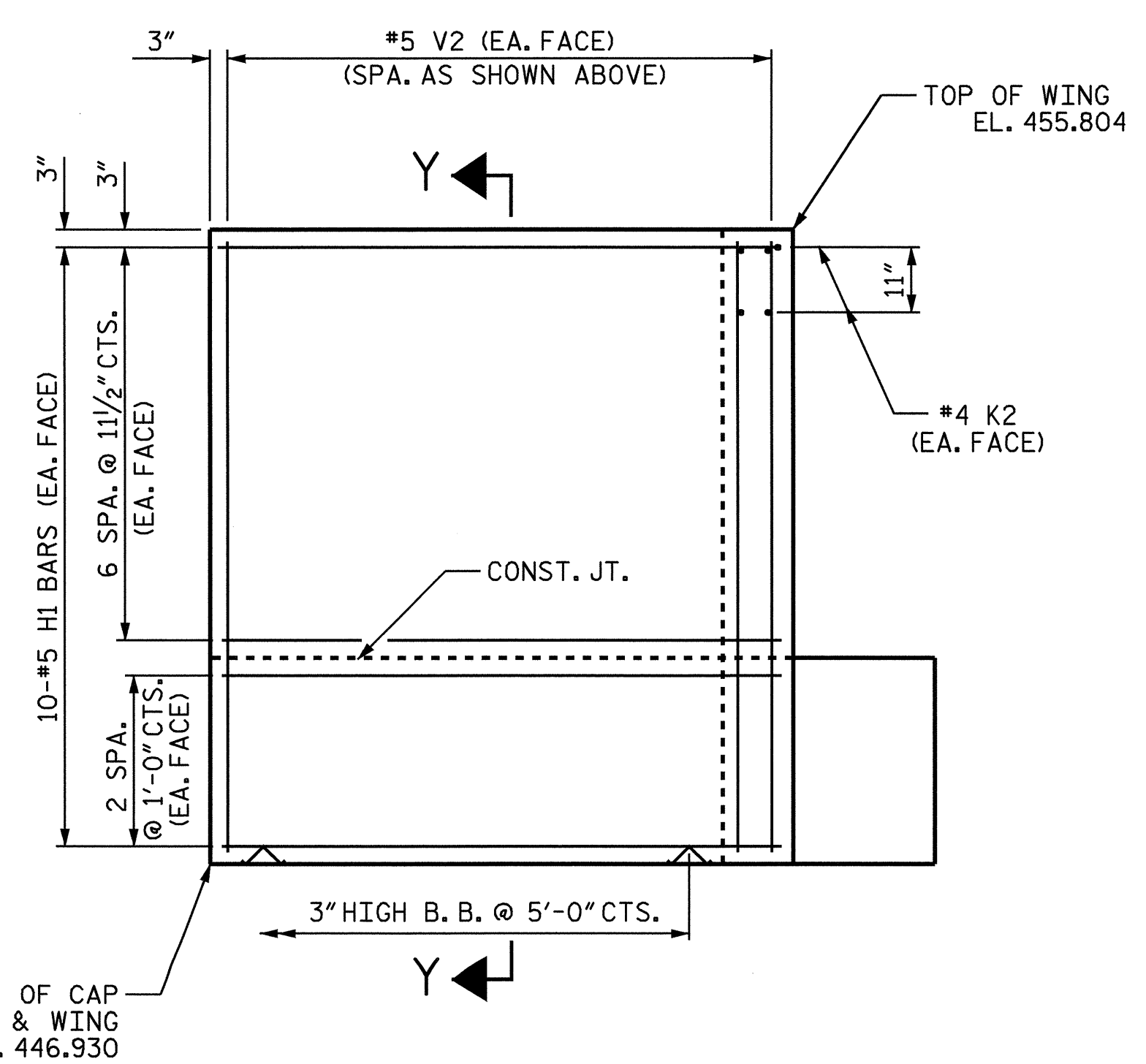
PLAN OF WING (W2)



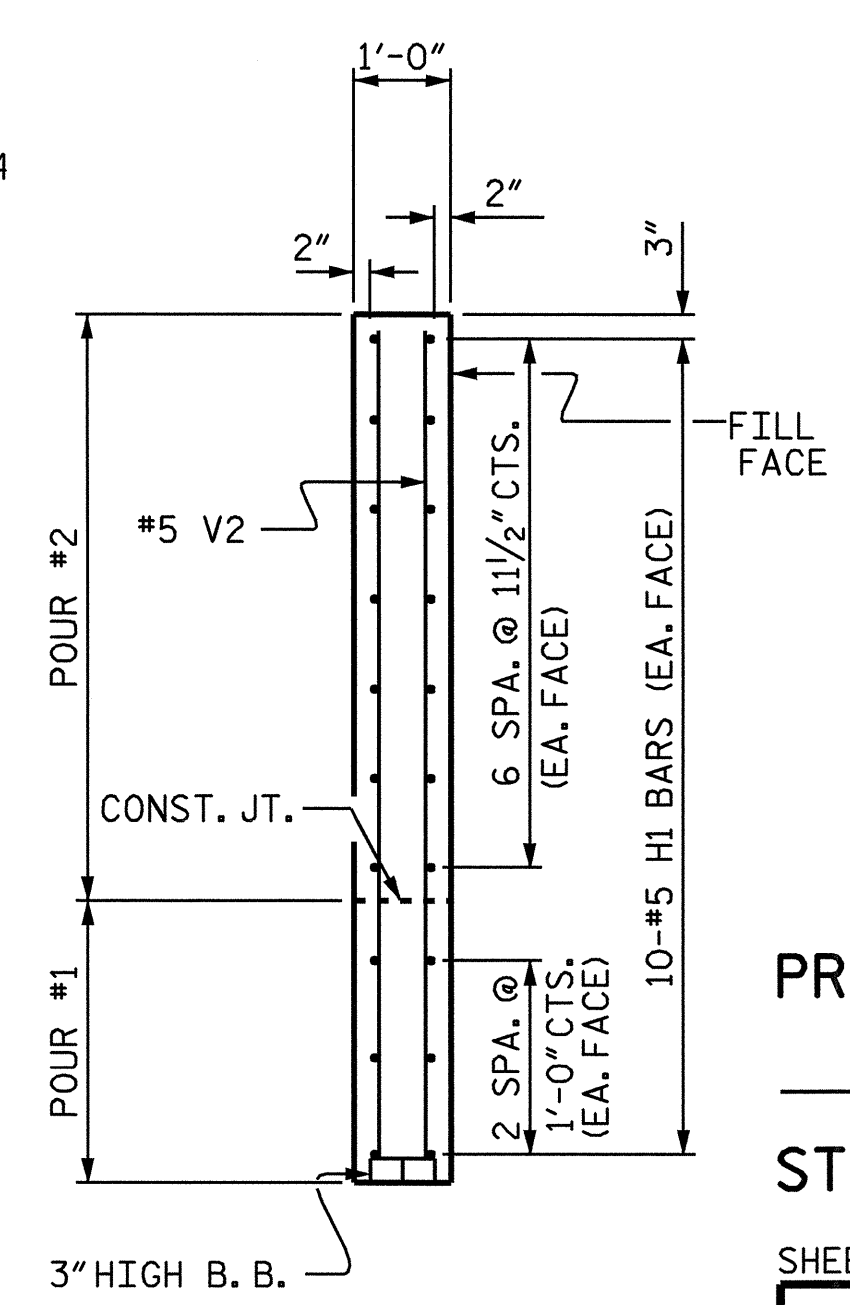
ELEVATION OF WING (W1)



SECTION X-X



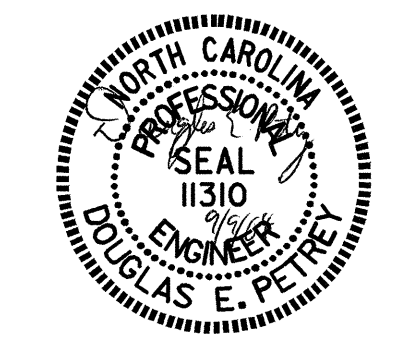
ELEVATION OF WING (W2)



SECTION Y-Y

PROJECT NO. R-2417BB
LEE COUNTY
 STATION: 565+49.40 -L-
 SHEET 2 OF 3

| | | | | | |
|--|-----|-------|-----|-----|-------|
| STATE OF NORTH CAROLINA DEPARTMENT OF TRANSPORTATION RALEIGH | | | | | |
| SUBSTRUCTURE END BENT No. 1 RIGHT LANE | | | | | |
| REVISIONS | | | | | |
| NO. | BY: | DATE: | NO. | BY: | DATE: |
| 1 | | | 3 | | |
| 2 | | | 4 | | |
| SHEET NO. | | | | | S-70 |
| TOTAL SHEETS | | | | | 78 |



DRAWN BY: R. G. EMERSON DATE: 04/04
 CHECKED BY: A. R. CHESSON DATE: 04/04