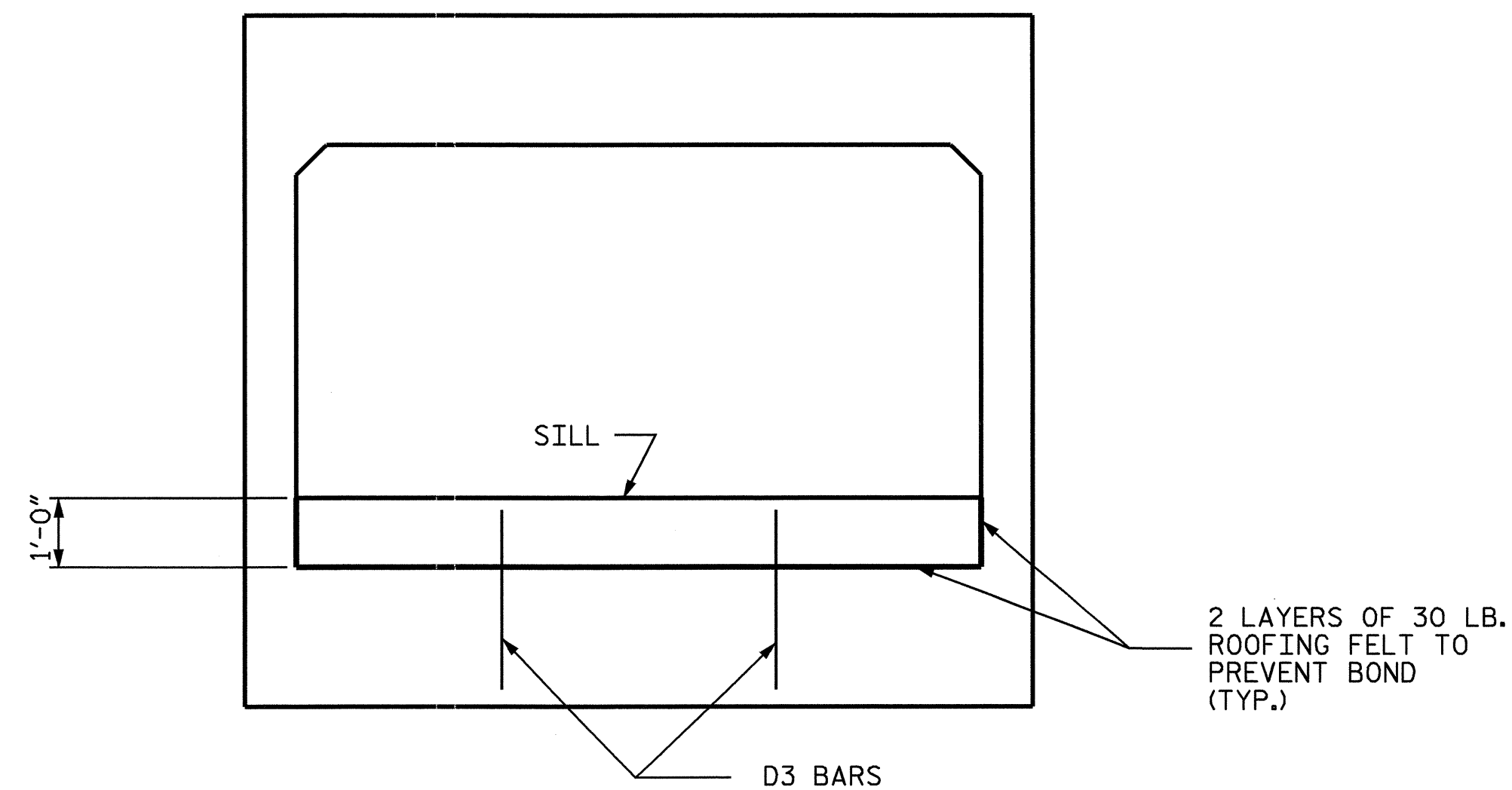
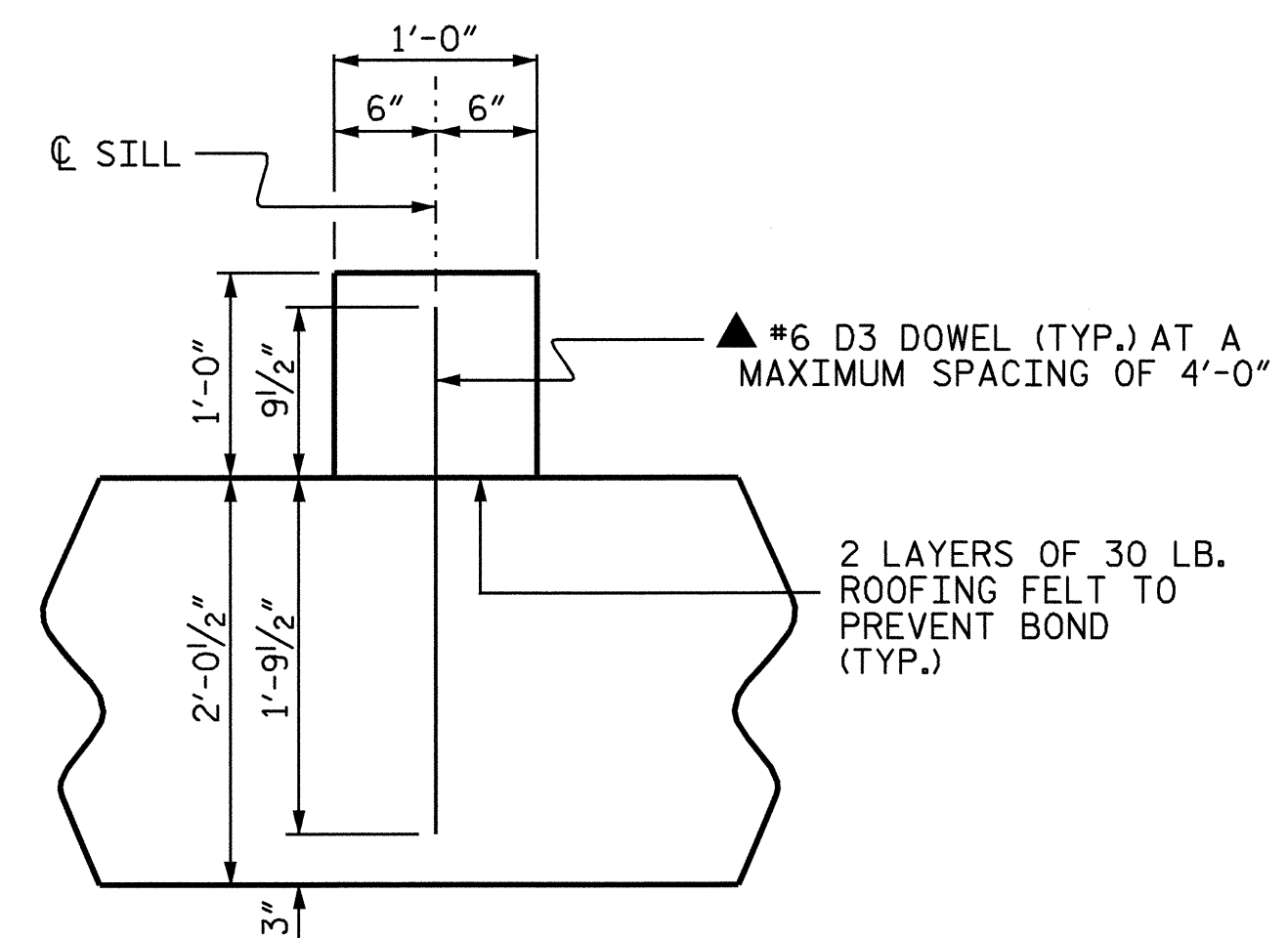


SILL DETAIL -- TOP VIEW



CULVERT SILL DETAIL

(RIGHT ANGLE SECTION OF BARREL)



SECTION THROUGH SILL

▲ DOWELS MAY BE PUSHED INTO GREEN CONCRETE AFTER SLAB HAS BEEN FLOAT FINISHED

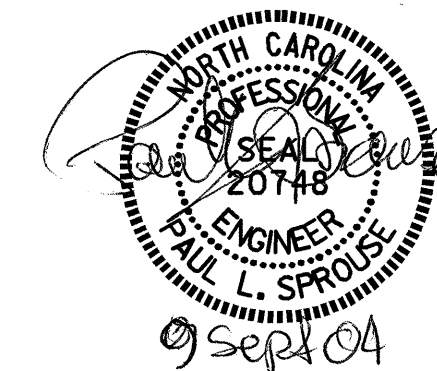
PROJECT NO. R-2417BB
LEE COUNTY
STATION: 508+40.00 -L-

SHEET 4 OF 6

STATE OF NORTH CAROLINA
DEPARTMENT OF TRANSPORTATION
RALEIGH

SILL DETAILS

DRAWN BY: D.A.STARK DATE: 7/03
CHECKED BY: P.SPROUSE DATE: 7/03



REVISIONS						SHEET NO.
NO.	BY:	DATE:	NO.	BY:	DATE:	C-4
1			3			TOTAL SHEETS
2			4			11