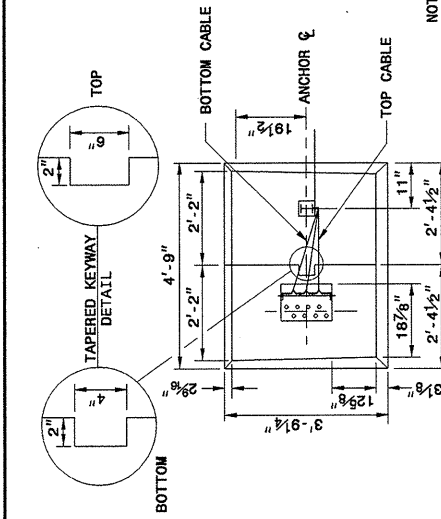


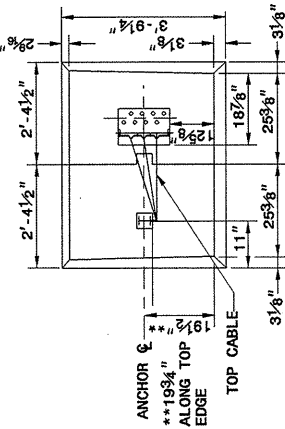
STATE OF NORTH CAROLINA
 DEPT. OF TRANSPORTATION
 DIVISION OF HIGHWAYS
 RALEIGH, N.C.

ENGLISH DETAIL DRAWING FOR
CABLE GUIDERAIL
 ANCHOR DETAILS

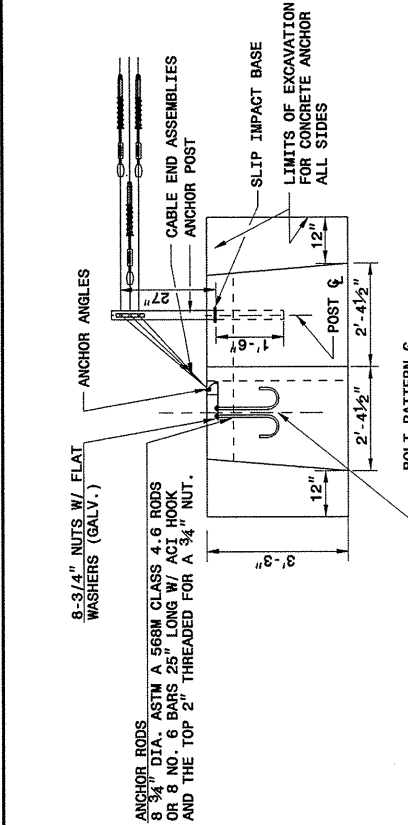
SHEET 9 OF 11
865D01



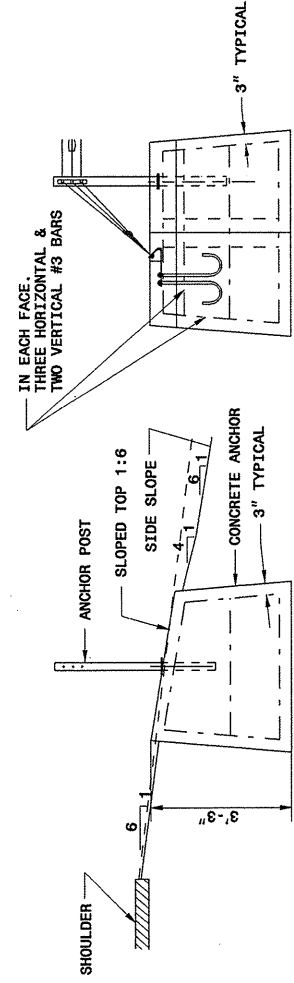
**ANCHOR UNIT DETAIL
 TOP VIEW LEFT HAND**
 (REINFORCEMENT NOT SHOWN)
 TWO PIECE



**ANCHOR UNIT DETAIL
 TOP VIEW RIGHT HAND**
 (REINFORCEMENT NOT SHOWN)
 TWO PIECE



**ANCHOR UNIT DETAIL
 LEFT HAND**
 (REINFORCEMENT NOT SHOWN)



ANCHOR UNIT & RE-BAR INSTALLATION DETAIL
 TWO PIECE

STATE OF NORTH CAROLINA
 DEPT. OF TRANSPORTATION
 DIVISION OF HIGHWAYS
 RALEIGH, N.C.

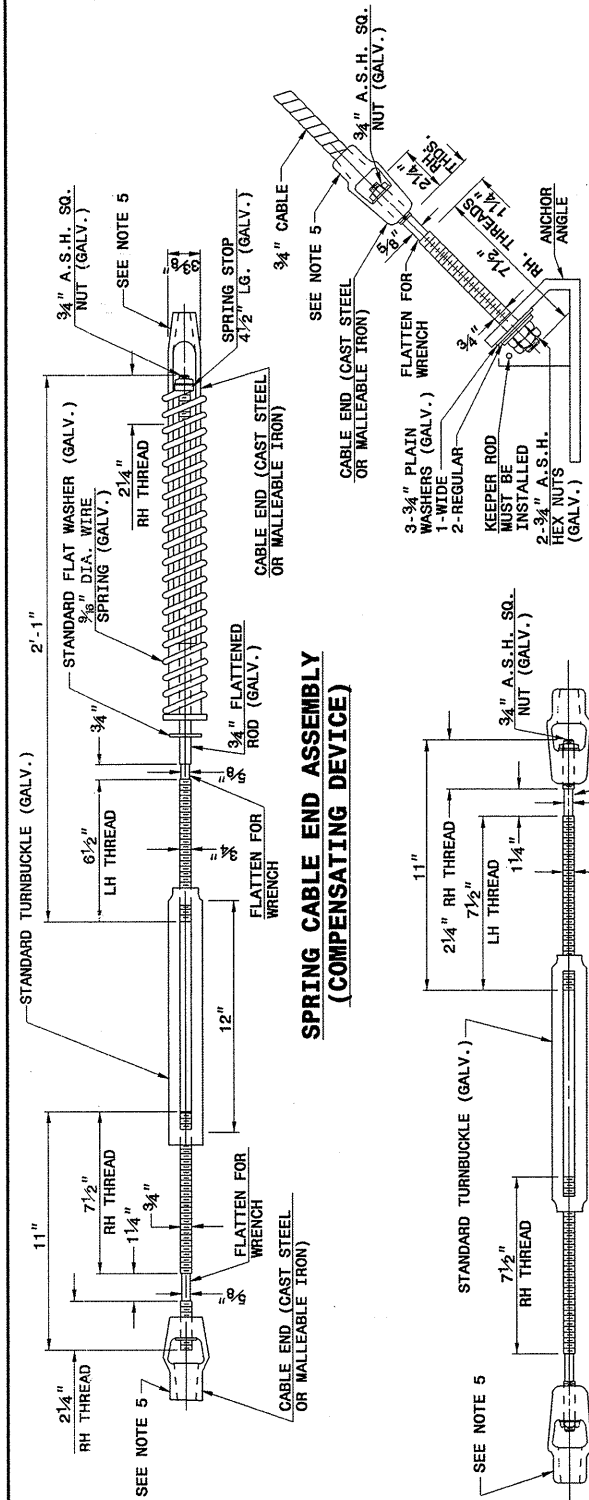
ENGLISH DETAIL DRAWING FOR
CABLE GUIDERAIL
 ANCHOR DETAILS

SHEET 9 OF 11
865D01

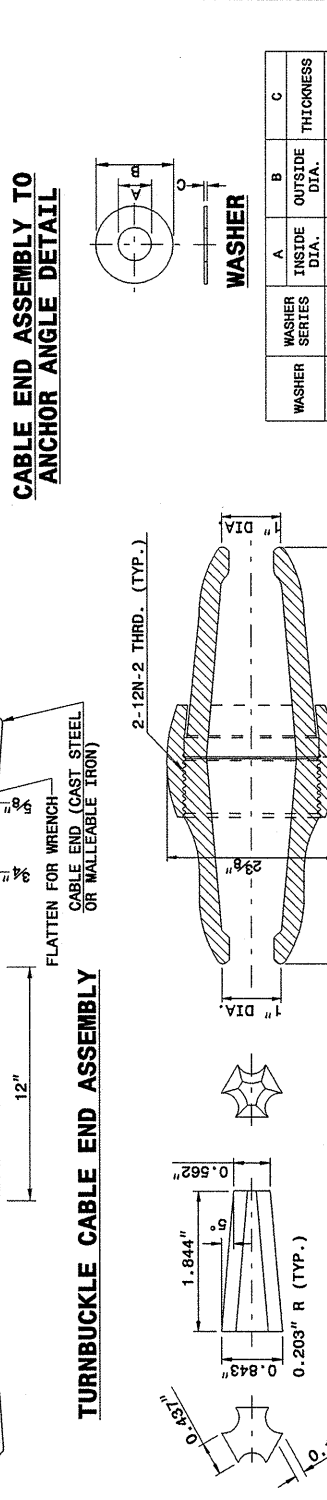
STATE OF NORTH CAROLINA
 DEPT. OF TRANSPORTATION
 DIVISION OF HIGHWAYS
 RALEIGH, N.C.

ENGLISH DETAIL DRAWING FOR
CABLE GUIDERAIL
 ANCHOR DETAILS

SHEET 10 OF 11
865D01



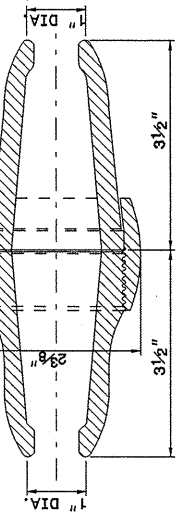
**SPRING CABLE END ASSEMBLY
 (COMPENSATING DEVICE)**



TURNBUCKLE CABLE END ASSEMBLY

CABLE END ASSEMBLY TO ANCHOR ANGLE DETAIL

**CABLE WEDGE
 TYPICAL WEDGE FOR ALL SPLICES AND CABLE FITTINGS**



CABLE SPLICE
 NOTE: USE WITH WEDGE

STATE OF NORTH CAROLINA
 DEPT. OF TRANSPORTATION
 DIVISION OF HIGHWAYS
 RALEIGH, N.C.

ENGLISH DETAIL DRAWING FOR
CABLE GUIDERAIL
 ANCHOR DETAILS

SHEET 10 OF 11
865D01

WASHER	WASHER SERIES	A INSIDE DIA.	B OUTSIDE DIA.	C THICKNESS
3/4"	REGULAR	7/8"	2"	5/32"
1/2"	WIDE	7/8"	2 9/16"	3/8"
1/2"	NARROW	17/32"	1"	3/32"

DESIGN SERVICES UNIT
 STANDARDS AND SPECIAL DESIGN
 Office 919-250-4128 FAX 919-250-4119

SEE PLATE FOR TITLE

ORIGINAL BY: 2002 STANDARDS DATE: 1-15-02
 MODIFIED BY: E.E. WARD DATE: 4-07-04
 CHECKED BY: DATE:
 FILE SPEC.: /usr/std/02stds to details/english/86501/0865d01.dgn