

STATE OF NORTH CAROLINA  
DEPT. OF TRANSPORTATION  
DIVISION OF HIGHWAYS  
RALEIGH, N.C.

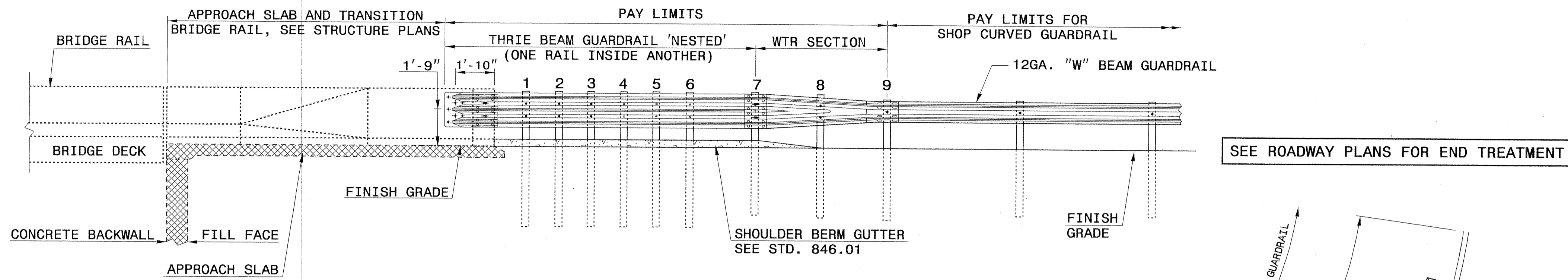
ENGLISH DETAIL DRAWING FOR  
TYPE III - SHOP CURVED  
STRUCTURE ANCHOR UNIT

SHEET 1 OF 1  
TYPE III SC

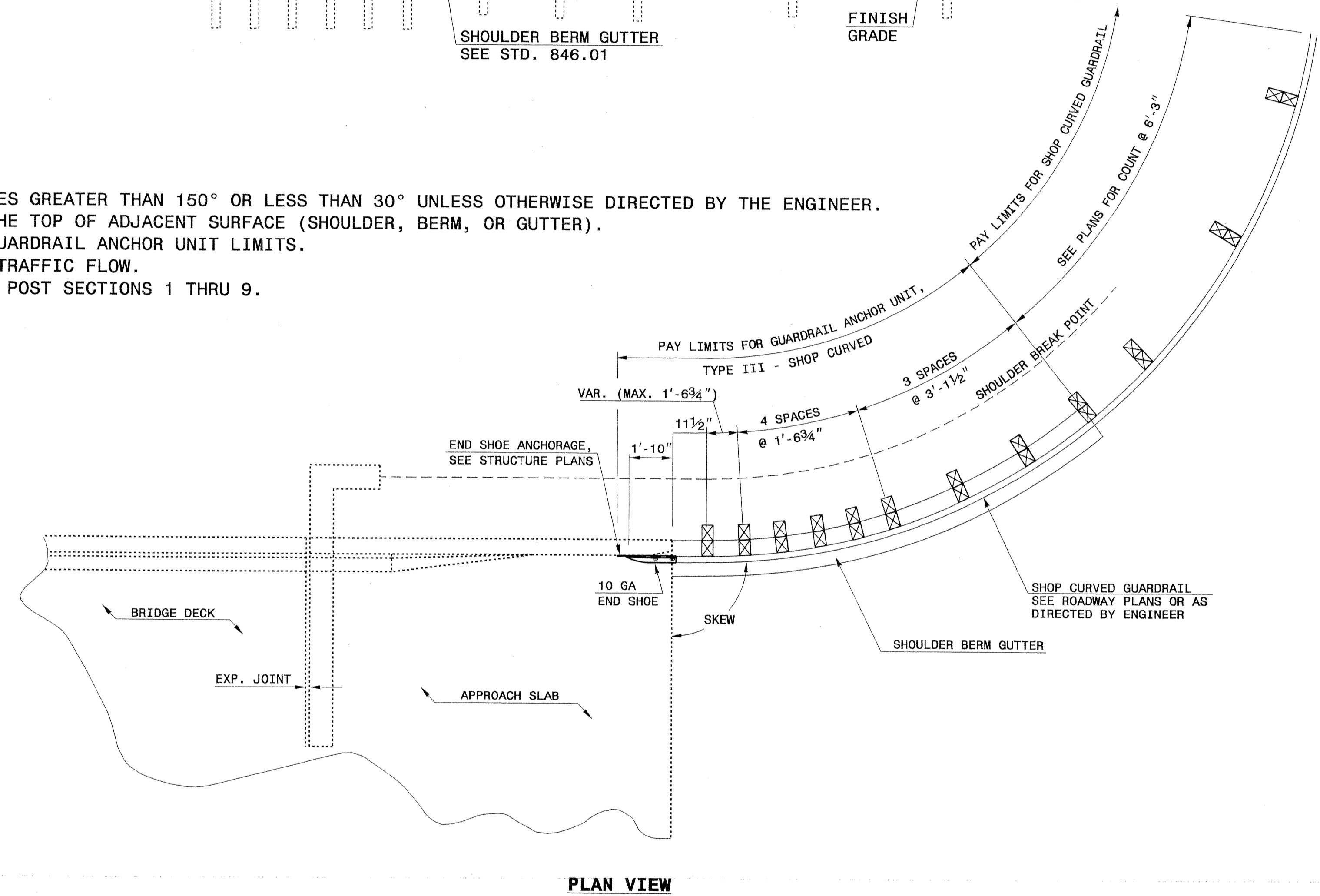
STATE OF NORTH CAROLINA  
DEPT. OF TRANSPORTATION  
DIVISION OF HIGHWAYS  
RALEIGH, N.C.

ENGLISH DETAIL DRAWING FOR  
TYPE III - SHOP CURVED  
STRUCTURE ANCHOR UNIT

SHEET 1 OF 1  
TYPE III SC

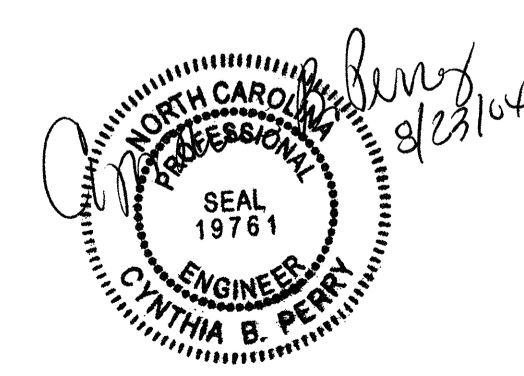


NOTE:  
 \*\*POST NOT REQUIRED FOR SKEW ANGLES GREATER THAN 150° OR LESS THAN 30° UNLESS OTHERWISE DIRECTED BY THE ENGINEER.  
 -MEASURE GUARDRAIL HEIGHT FROM THE TOP OF ADJACENT SURFACE (SHOULDER, BERM, OR GUTTER).  
 -USE NO STEEL POSTS WITHIN THE GUARDRAIL ANCHOR UNIT LIMITS.  
 -LAP JOINTS IN THE DIRECTION OF TRAFFIC FLOW.  
 -SEE STANDARD 862.03 SHEET 4 FOR POST SECTIONS 1 THRU 9.



PLAN VIEW  
**GUARDRAIL ANCHOR UNIT, TYPE III - SHOP CURVED**

06-FEB-2004 12:29  
W:\Special\_Details\english\b3667 type III sc railing.dgn  
RNB:ritt AT 05203039



**DESIGN SERVICES UNIT  
STANDARDS AND SPECIAL DESIGN**  
Office 919-250-4128 FAX 919-250-4119

**SEE PLATE FOR TITLE**

ORIGINAL BY: E.E. WARD DATE: 1-15-02  
 MODIFIED BY: rnbritt DATE: 02-06-04  
 CHECKED BY: C.B. Perry DATE: 2/04  
 FILE SPEC.: details\rnbritt\english\b3667typeIIIsrail.dgn