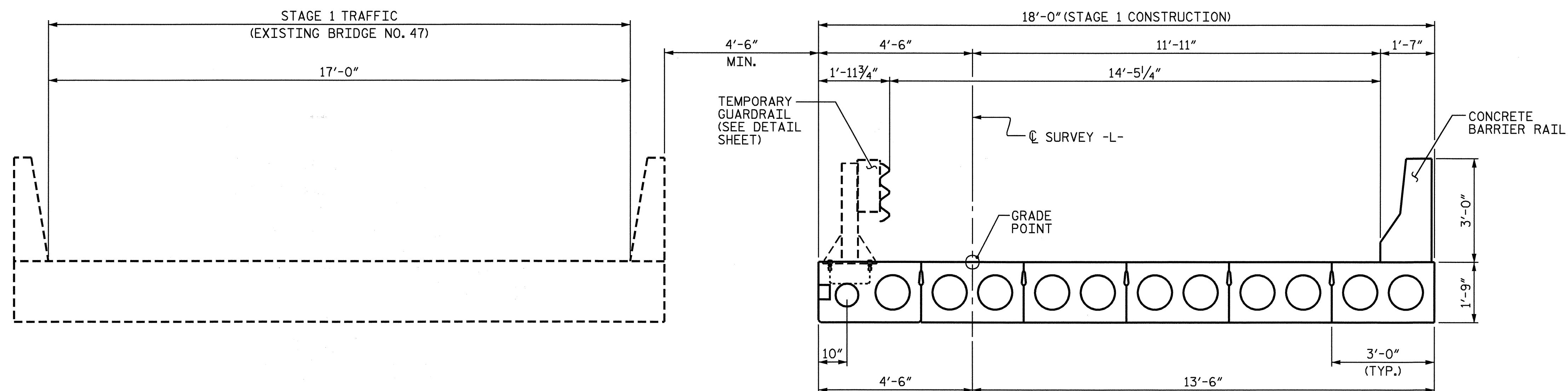
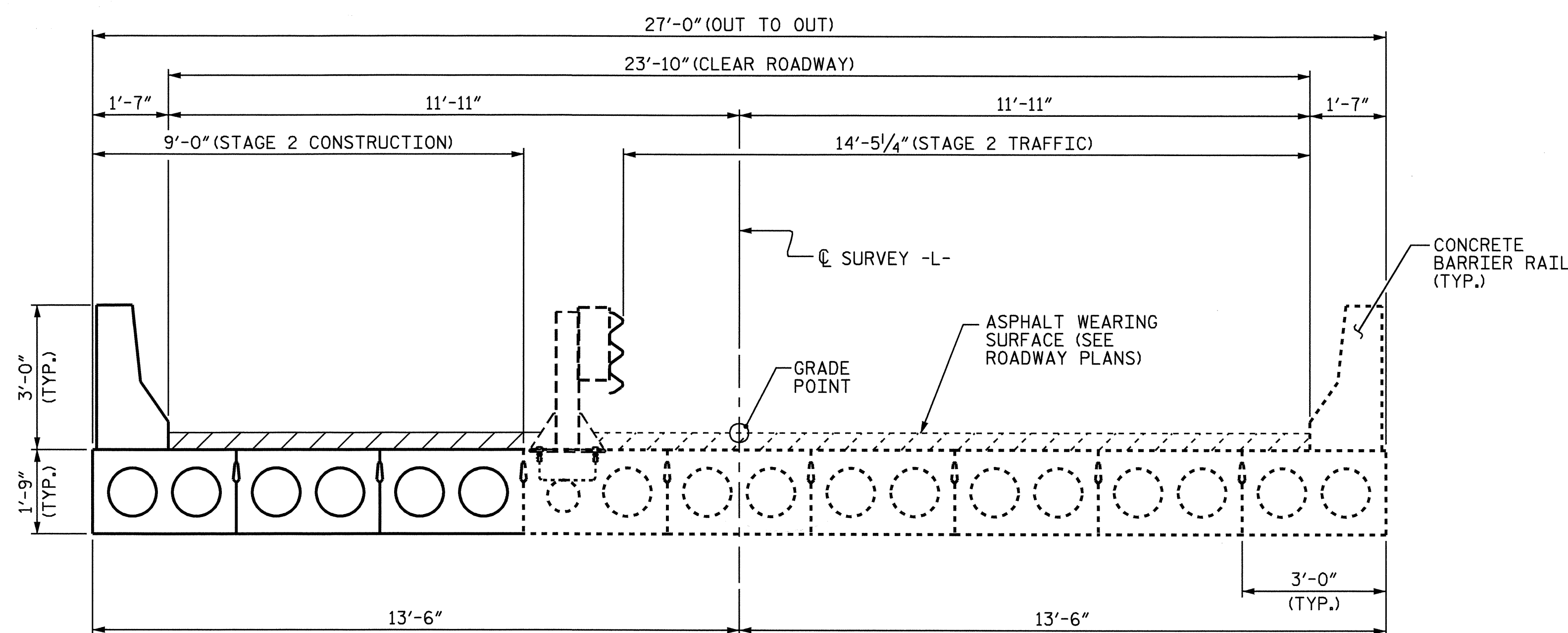


NOTES

FOR TRAFFIC PHASING, SEE TRAFFIC CONTROL PLANS.
 THE TEMPORARY GUARDRAIL USED IN STAGE 1 IS A ROADWAY DETAIL AND PAY ITEM.



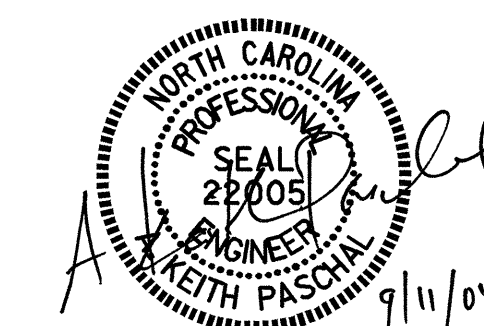
STAGE 1



STAGE 2

STAGING SEQUENCE

PROJECT NO. B-3667
JACKSON COUNTY
 STATION: 12+52.50 -L-



STATE OF NORTH CAROLINA DEPARTMENT OF TRANSPORTATION RALEIGH					
CONSTRUCTION STAGING					
REVISIONS					
NO.	BY:	DATE:	NO.	BY:	DATE:
1			3		
2			4		
					SHEET NO. S-4
					TOTAL SHEETS 37

DRAWN BY : Z.J.R. / K.M.M. DATE : 1/29/04
 CHECKED BY : A. K. PASCHAL DATE : 8/18/04