

NOTES

FOR GROUTED RECESS DETAILS, SEE "SUPERSTRUCTURE TYPICAL SECTION", SHEET 1 OF 5.

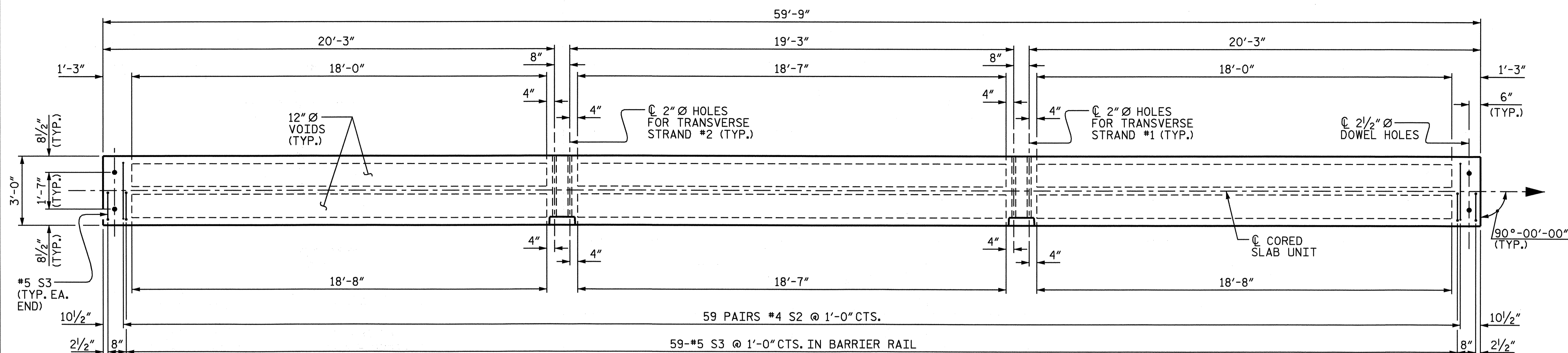
STRAND #1 RUNS THROUGH CORED SLAB UNIT #5 THRU #9, AND SHOULD BE TENSIONED DURING STAGE 1 CONSTRUCTION.

STRAND #2 RUNS THROUGH CORED SLAB UNIT #1 THRU #9, AND SHOULD BE TENSIONED DURING STAGE 2 CONSTRUCTION.

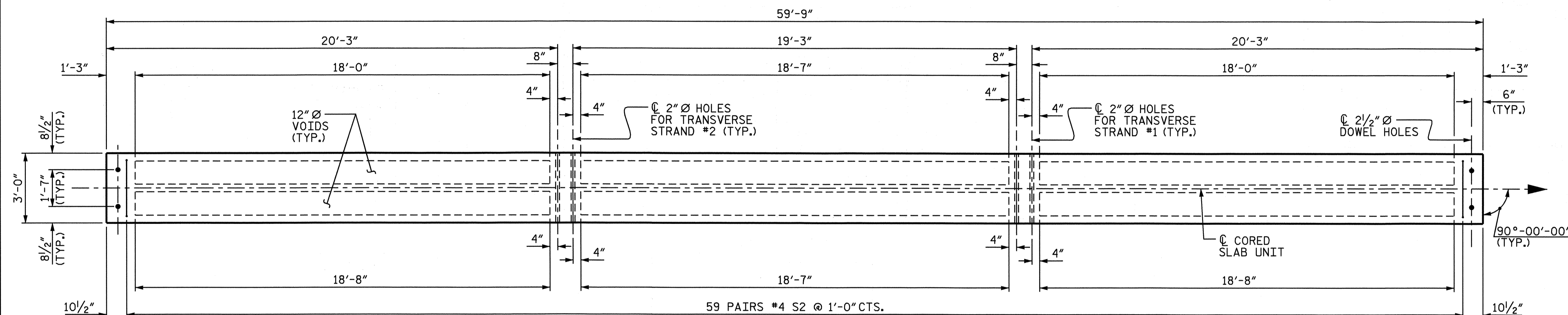
FOR REINFORCING STEEL IN END OF CORED SLAB UNITS, SEE "PART PLAN - EXTERIOR SECTION", TYPICAL SECTION SHEET 1 OF 5.

S2 & S3 BARS IN EXTERIOR AND INTERIOR CORED SLAB UNITS MAY BE MOVED SLIGHTLY TO MAINTAIN 2" CLEARANCE OF 2" Ø HOLES.

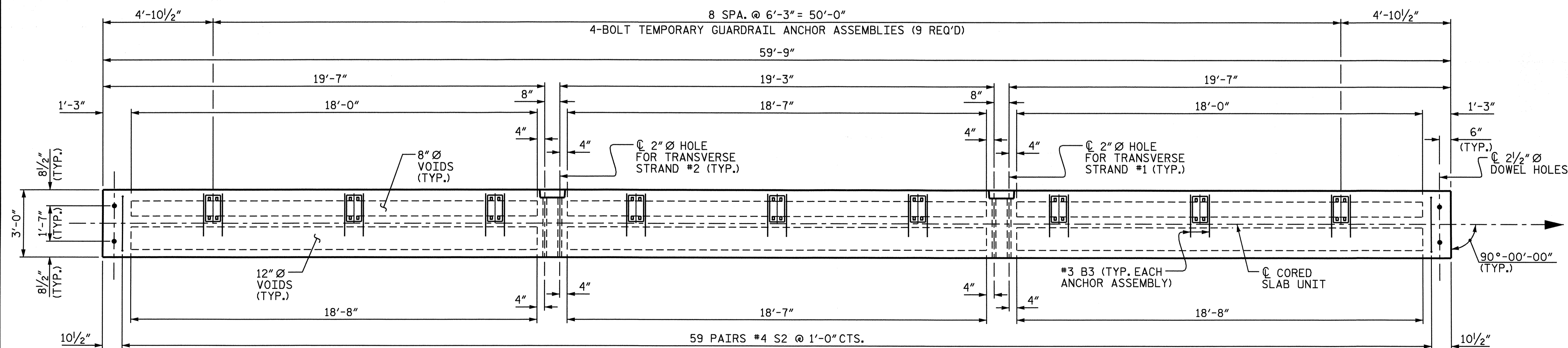
STRAND #1 AND STRAND #2 ARE 1/2" Ø H.S. TRANSVERSE POST-TENSIONING STRANDS.



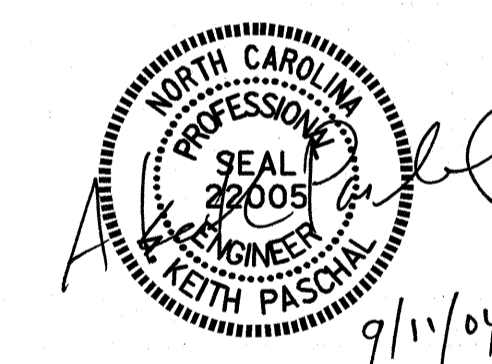
TYPE I



TYPE II



TYPE III



PROJECT NO. B-3667
JACKSON COUNTY
 STATION: 12+52.50 -L-

SHEET 4 OF 5

STATE OF NORTH CAROLINA
 DEPARTMENT OF TRANSPORTATION
 RALEIGH
 SUPERSTRUCTURE
 3'-0" X 1'-9"
 PRESTRESSED
 CONCRETE CORED
 SLAB UNIT DETAILS

REVISIONS						SHEET NO.
NO.	BY:	DATE:	NO.	BY:	DATE:	S-8
1			3			TOTAL SHEETS
2			4			37

DRAWN BY: K. McCAULEY DATE: 2/9/04
 CHECKED BY: A. MEADOWS DATE: 7/12/04