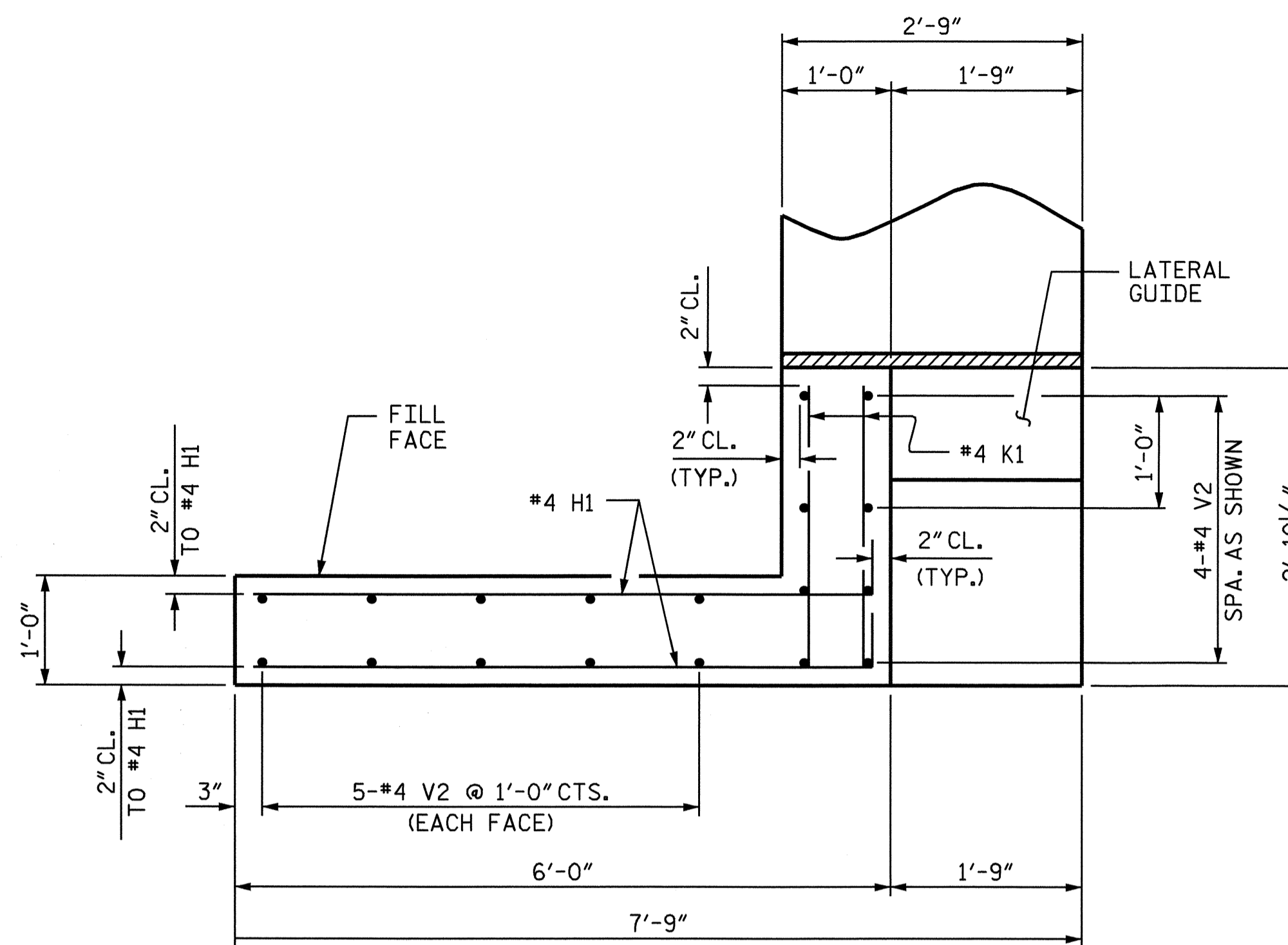
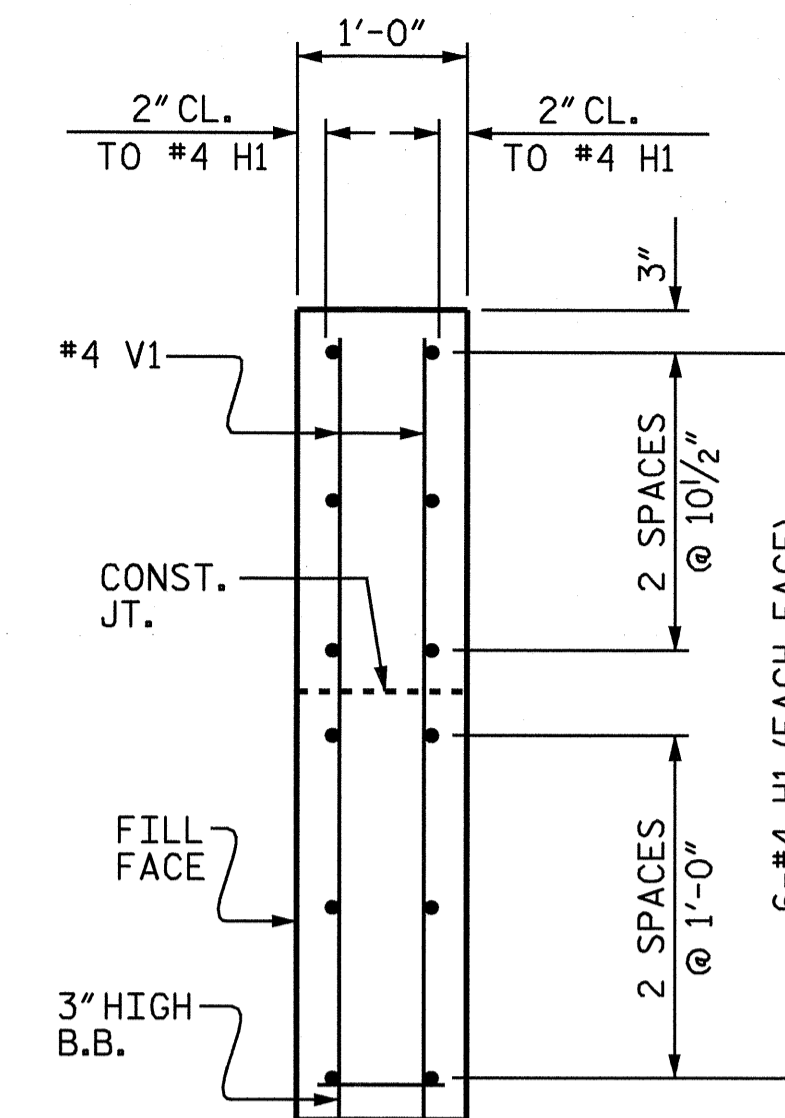


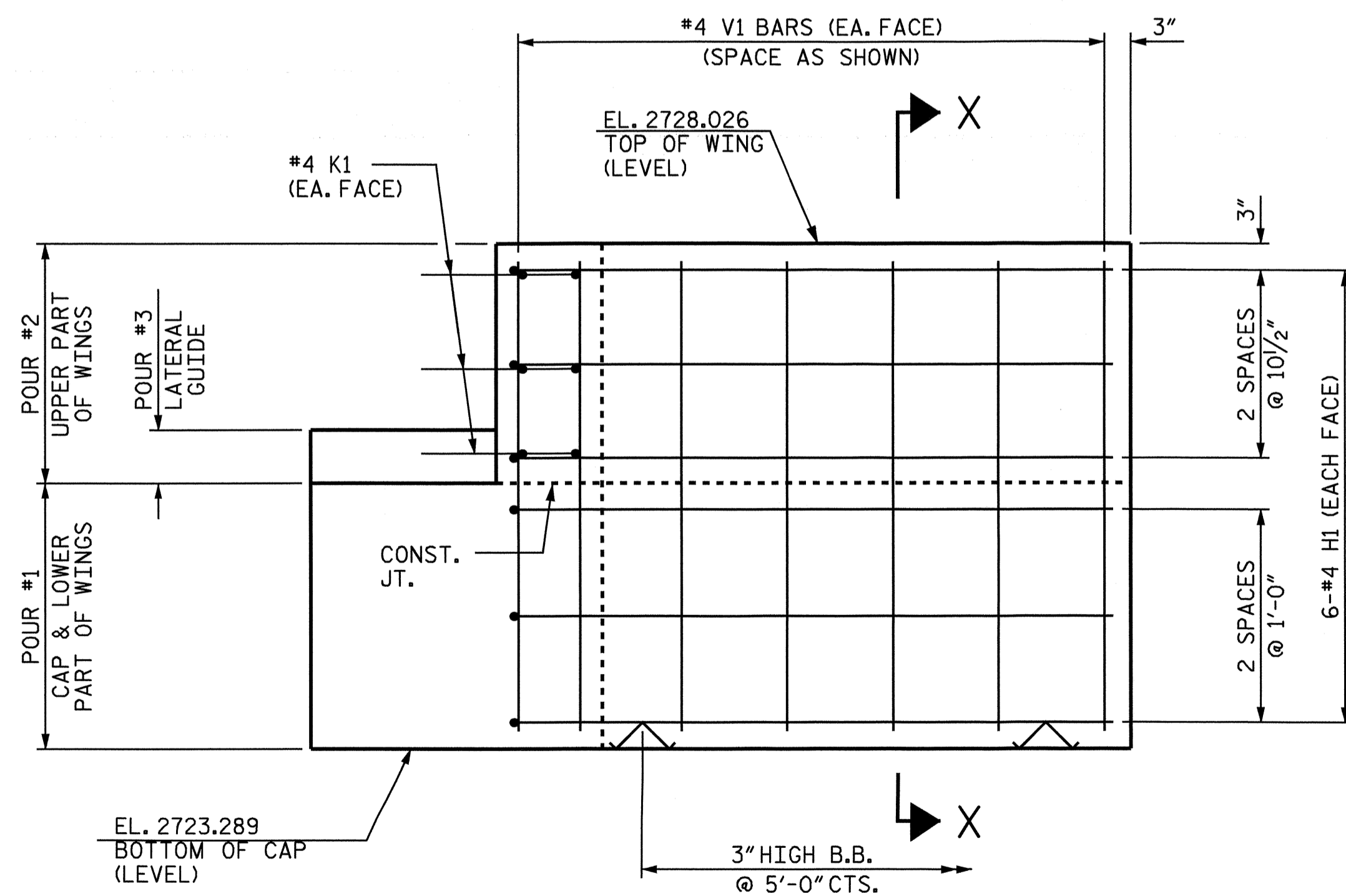
PLAN OF WING - W1



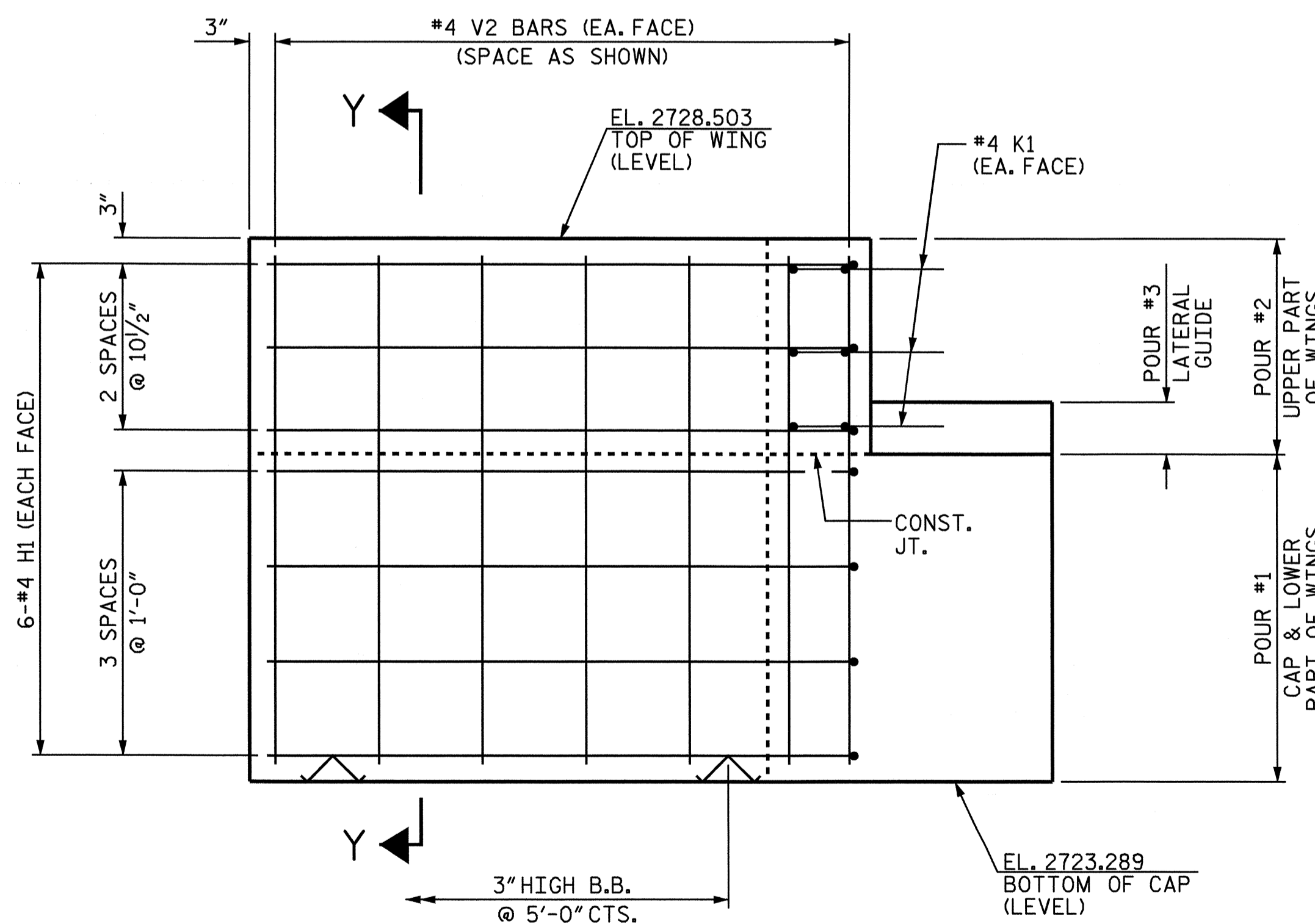
PLAN OF WING - W2



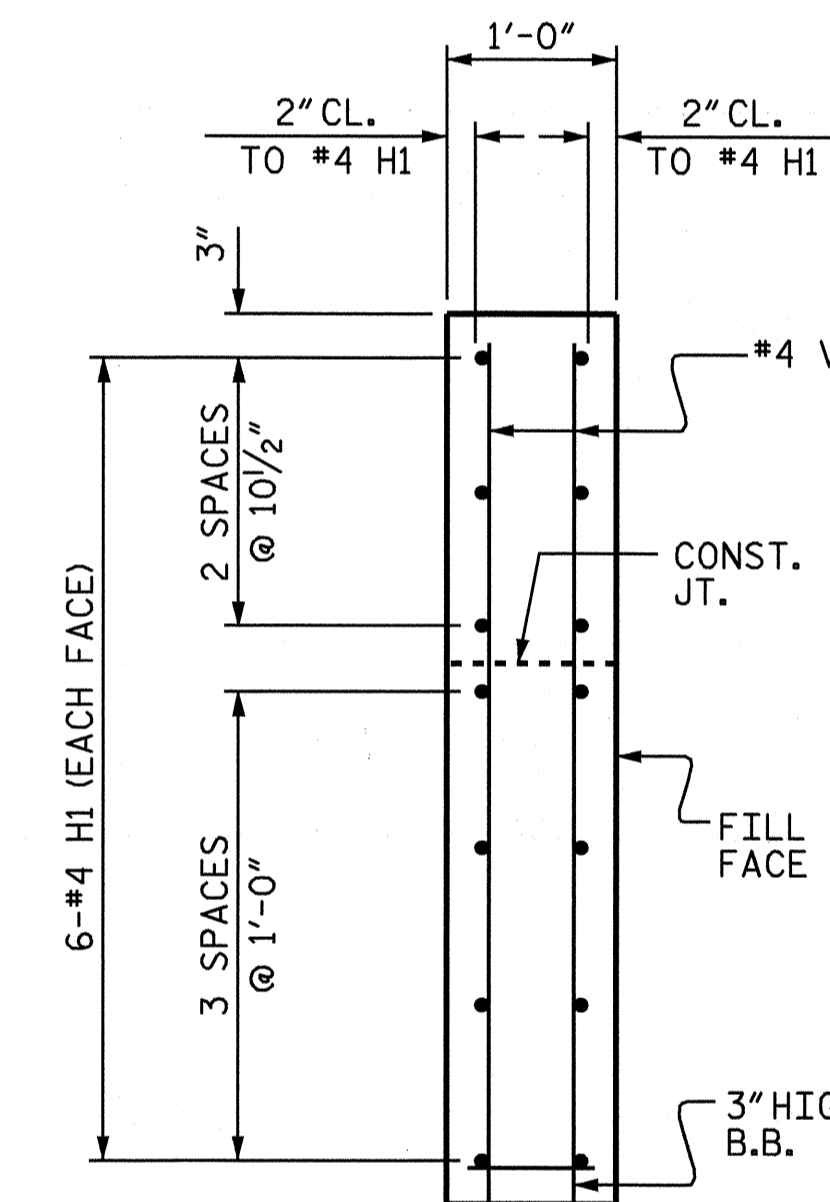
SECTION X-X



ELEVATION OF WING - W1



ELEVATION OF WING - W2



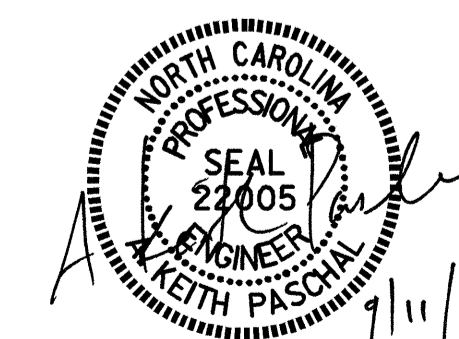
SECTION Y-Y

PROJECT NO. B-3667  
JACKSON COUNTY  
 STATION: 12+52.50 -L-

SHEET 2 OF 3

STATE OF NORTH CAROLINA  
 DEPARTMENT OF TRANSPORTATION  
 RALEIGH

SUBSTRUCTURE  
 END BENT 1



DRAWN BY: K. McCauley DATE: 7/30/04  
 CHECKED BY: A. L. Meadows DATE: 8/5/04

09-SEP-2004 15:39  
 W:\sdc\p\B3667\str1\kmcCauley\Microstation\B3667.ed.E\*.01.dgn  
 kmcCauley

REVISIONS						SHEET NO.	
NO.	BY:	DATE:	NO.	BY:	DATE:	S-12	
1			3			TOTAL SHEETS	
2			4			37	