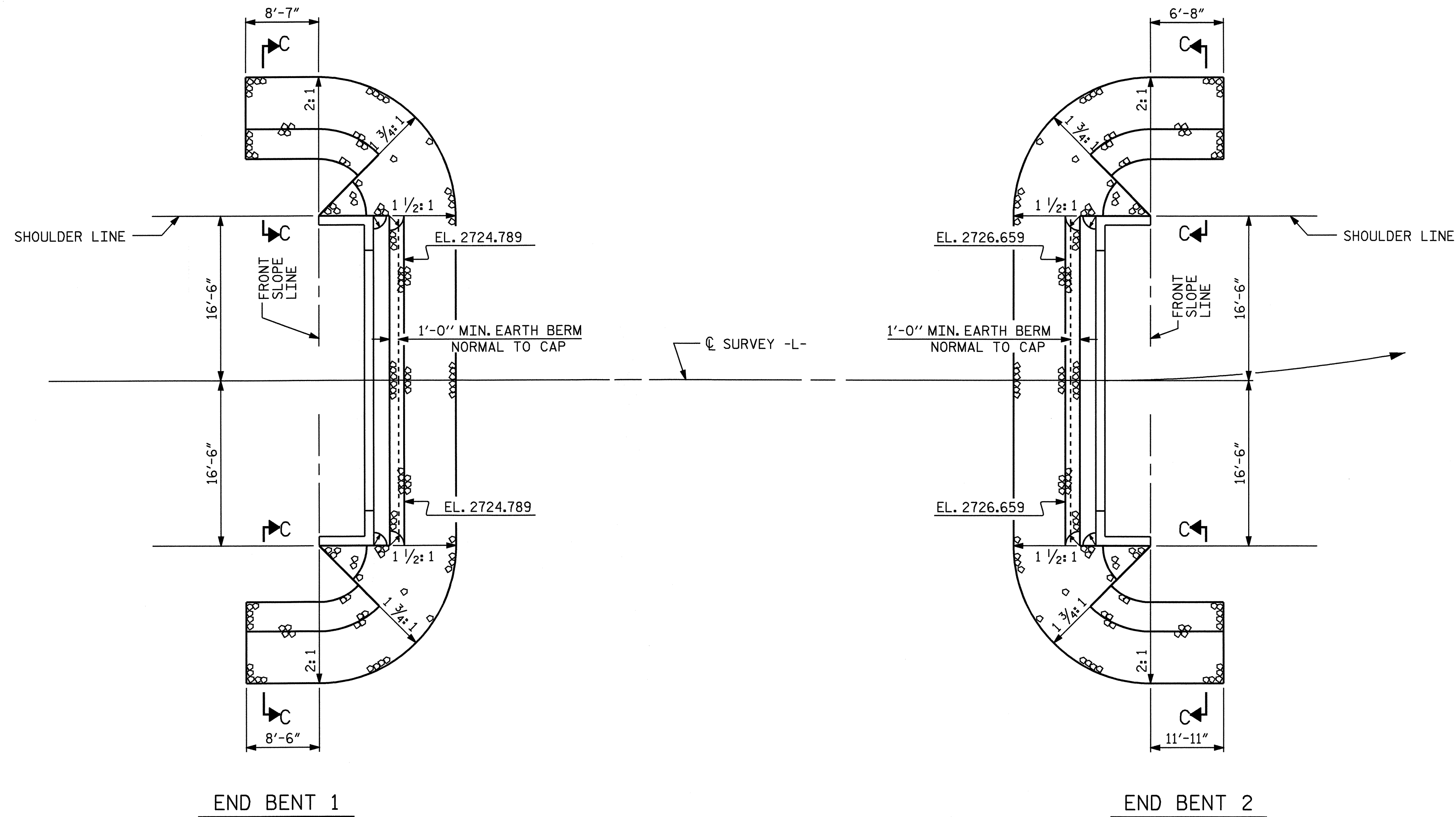
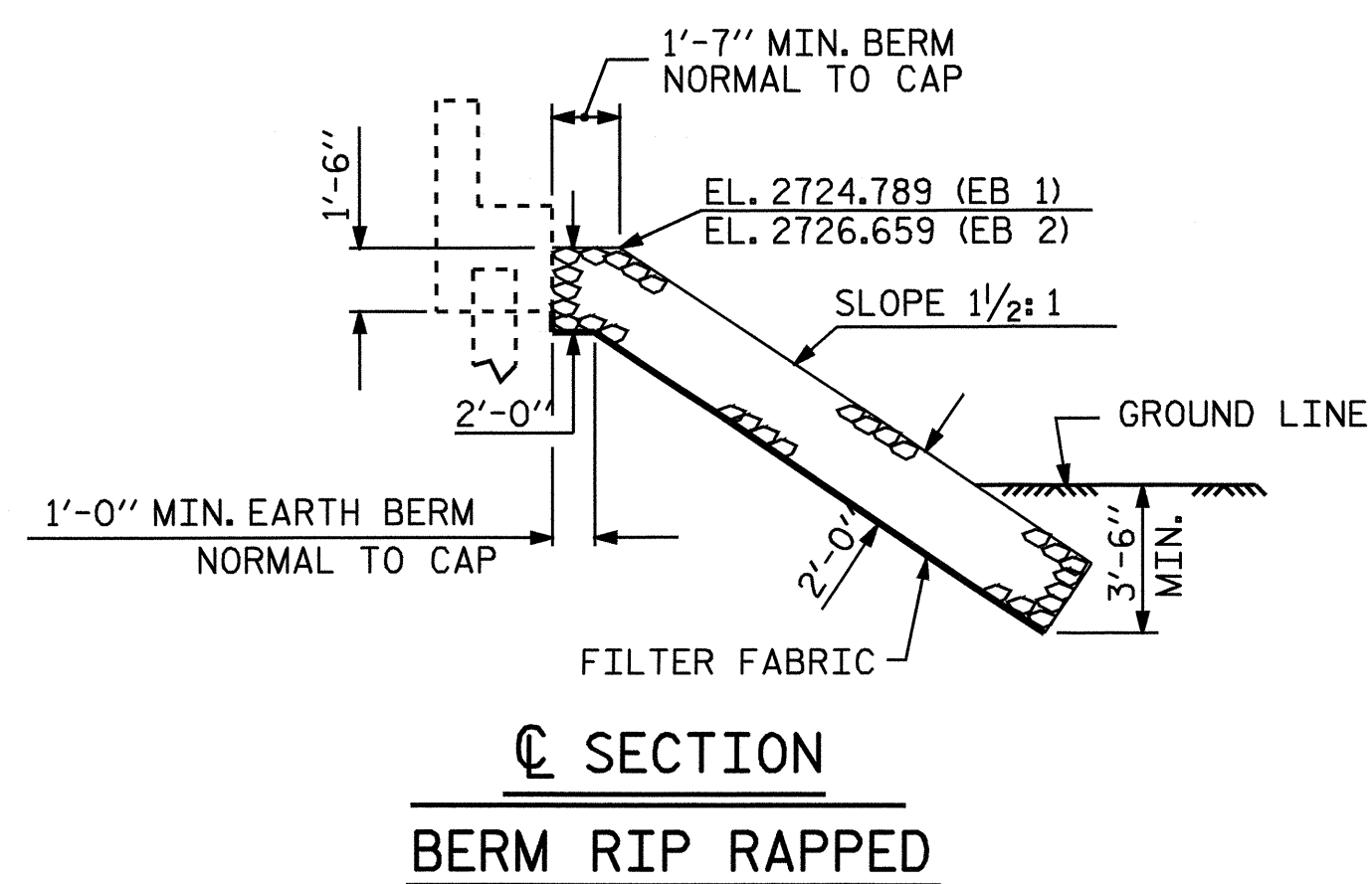


NOTES :
FOR BERM WIDTH DIMENSIONS, SEE GENERAL DRAWING.



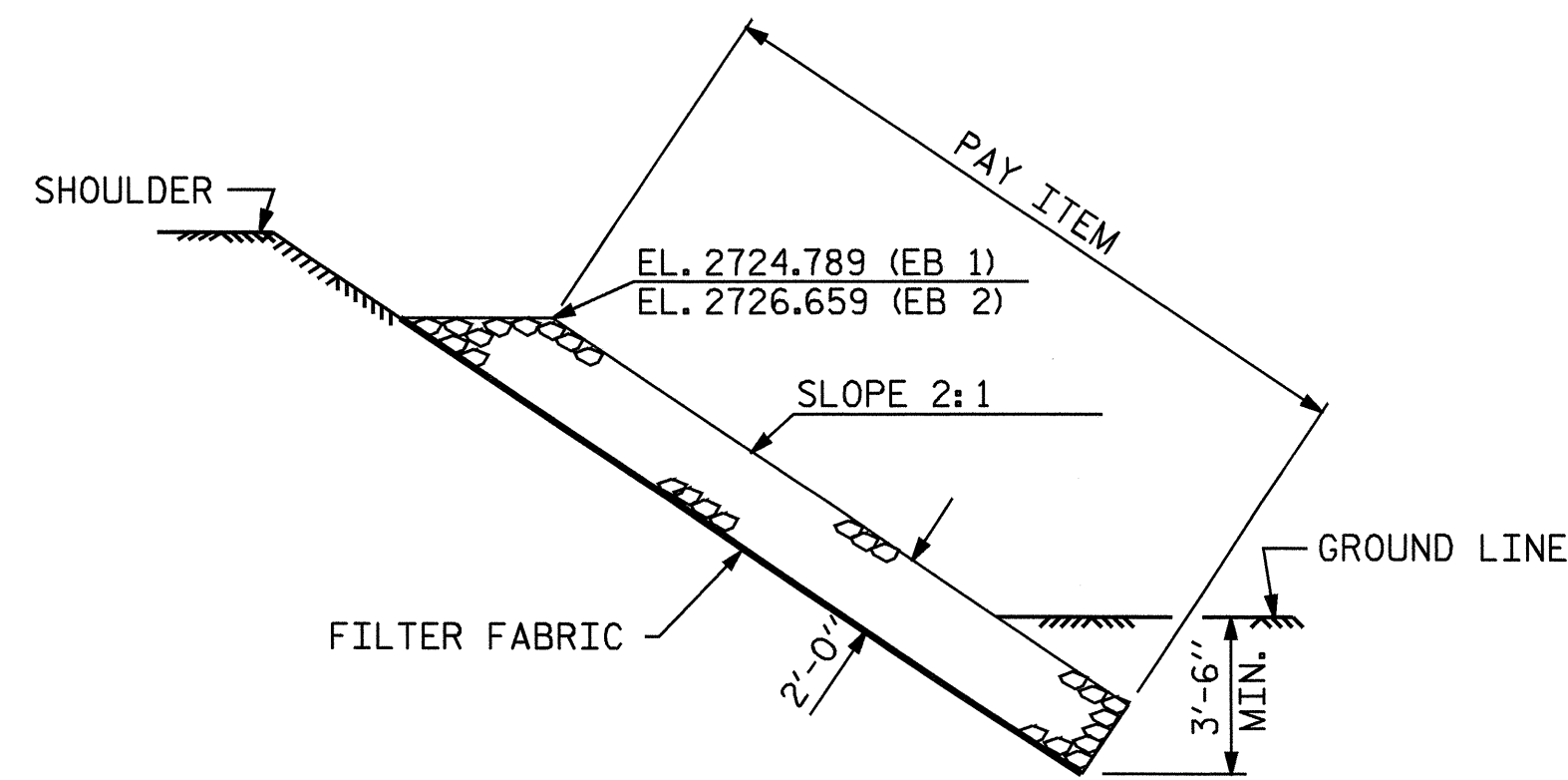
ESTIMATED QUANTITIES		
BRIDGE @ STA. 12+52.50 -L-	PLAIN RIP RAP CLASS II	FILTER FABRIC FOR DRAINAGE
	TONS	SQUARE YARDS
END BENT 1	132	146
END BENT 2	104	115

PLAN



SECTION

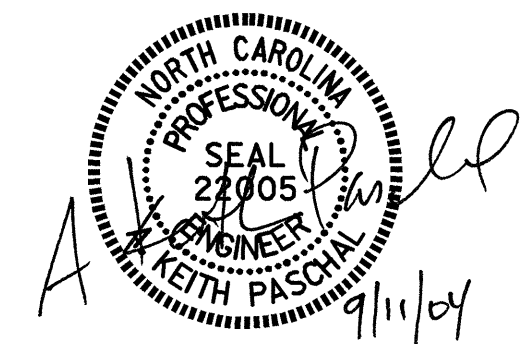
BERM RIP RAPPED



SECTION C-C

PROJECT NO. B-3667
JACKSON COUNTY
STATION: 12+52.50 -L-

STATE OF NORTH CAROLINA
DEPARTMENT OF TRANSPORTATION
RALEIGH
STANDARD
RIP RAP DETAILS



ASSEMBLED BY : K. McCAULEY	DATE : 8/3/04
CHECKED BY : A. L. MEADOWS	DATE : 8/12/04
DRAWN BY : FCJ 2/88	REV. 7/17/98 REK/RWW
CHECKED BY : ARB 8/88	REV. 8/16/99 RWW/LES
	REV. 10/17/00 RWW/LES

REVISIONS						SHEET NO.
NO.	BY:	DATE:	NO.	BY:	DATE:	S-17
1			3			TOTAL SHEETS
2			4			37