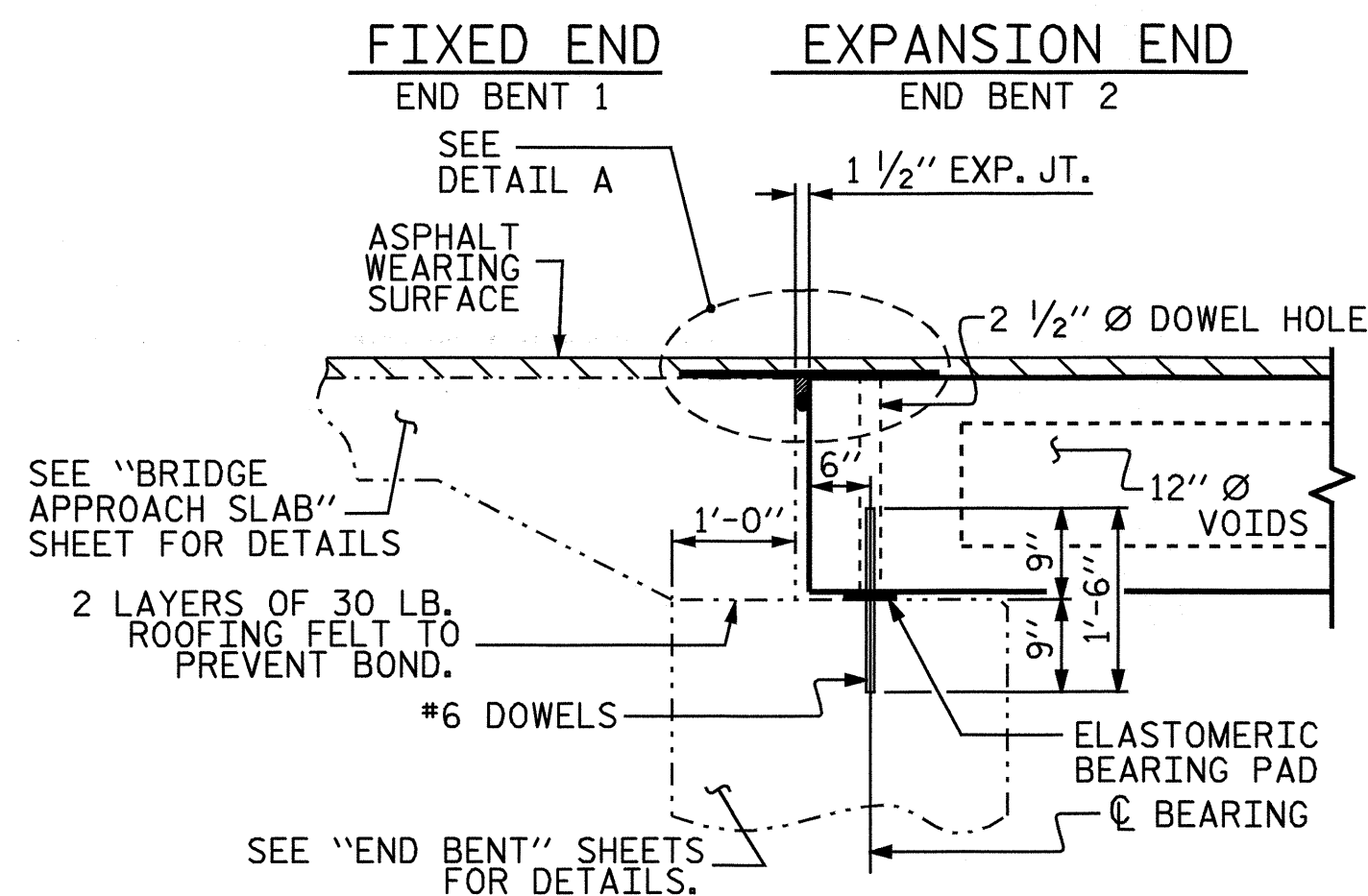
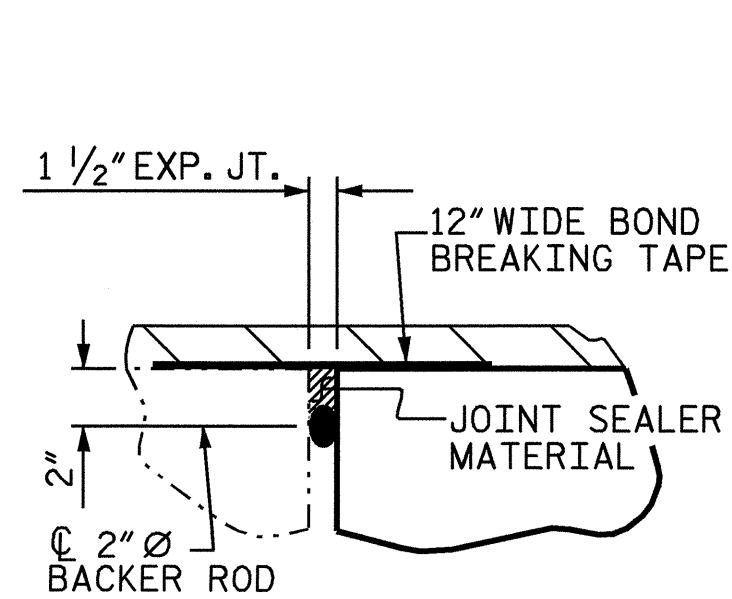


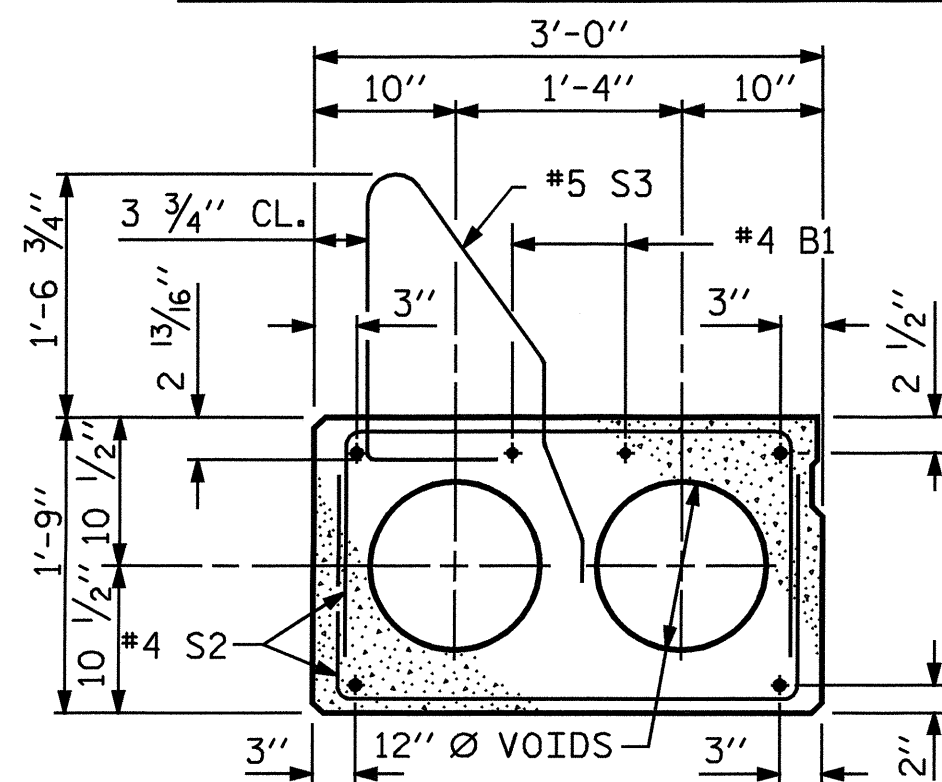
TYPICAL SECTION



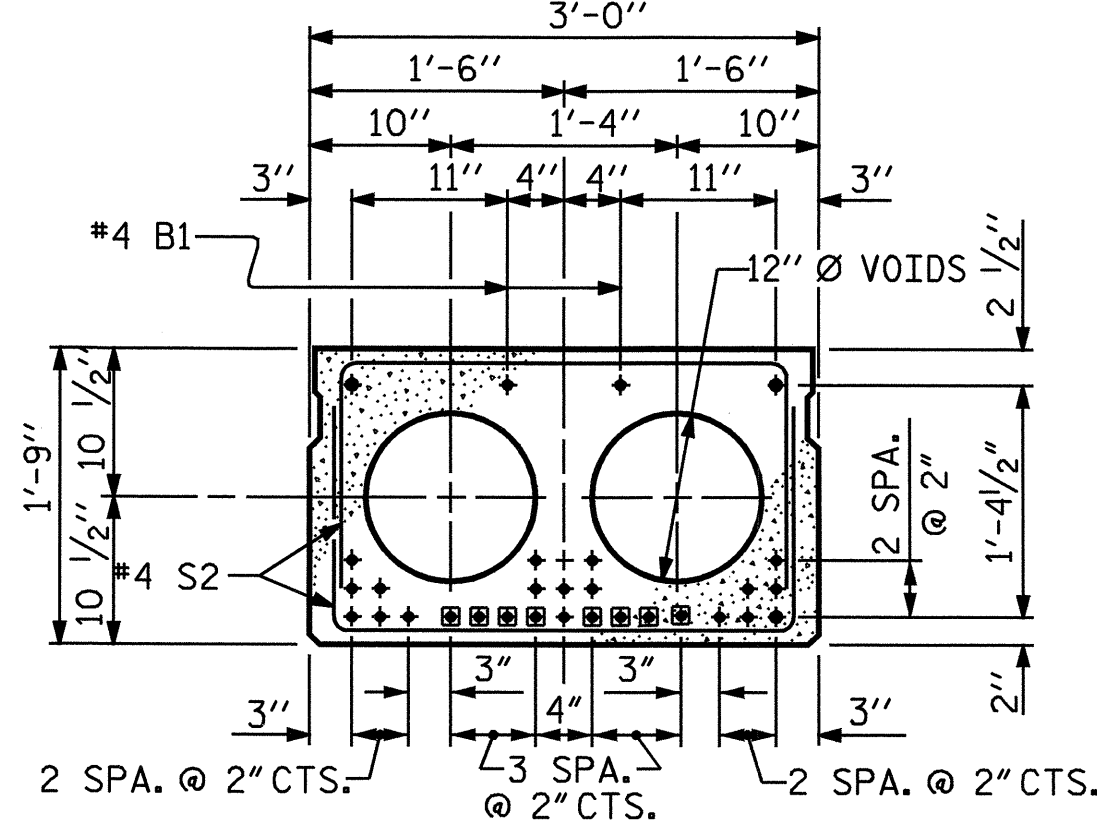
SECTION AT END BENT



DETAIL A

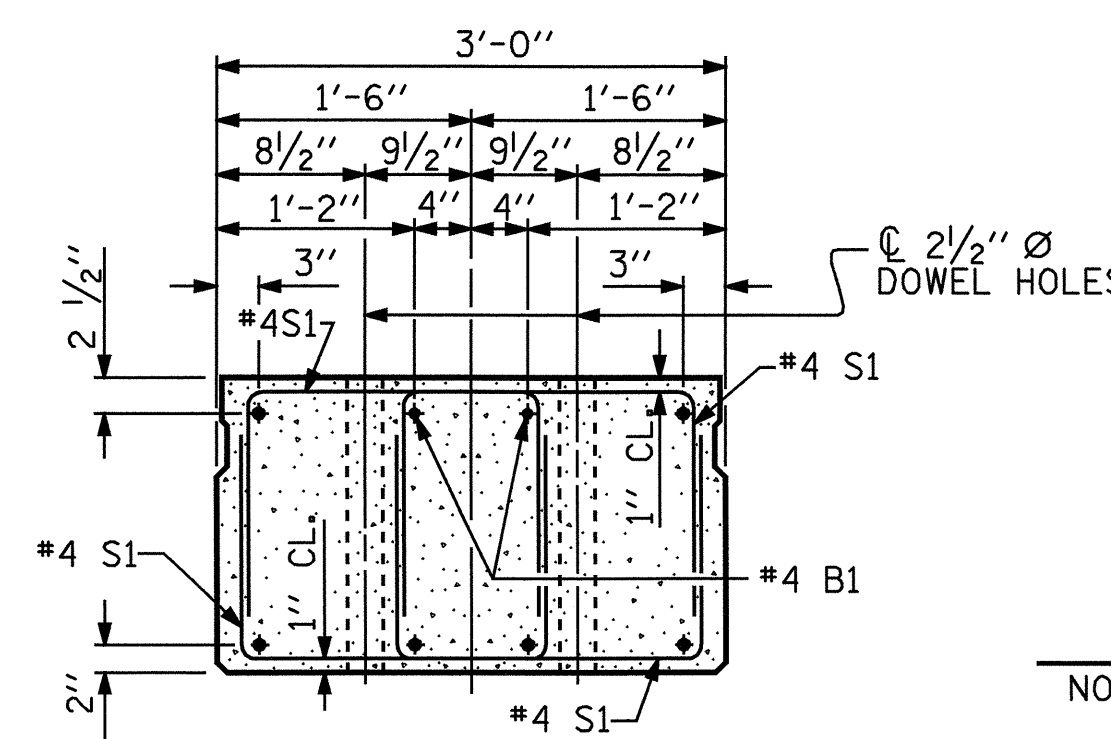


EXTERIOR SLAB SECTION  
(FOR PRESTRESSED STRAND LAYOUT, SEE INTERIOR SLAB SECTION.)



INTERIOR SLAB SECTION  
(28 STRANDS, 8 SHEATHED)

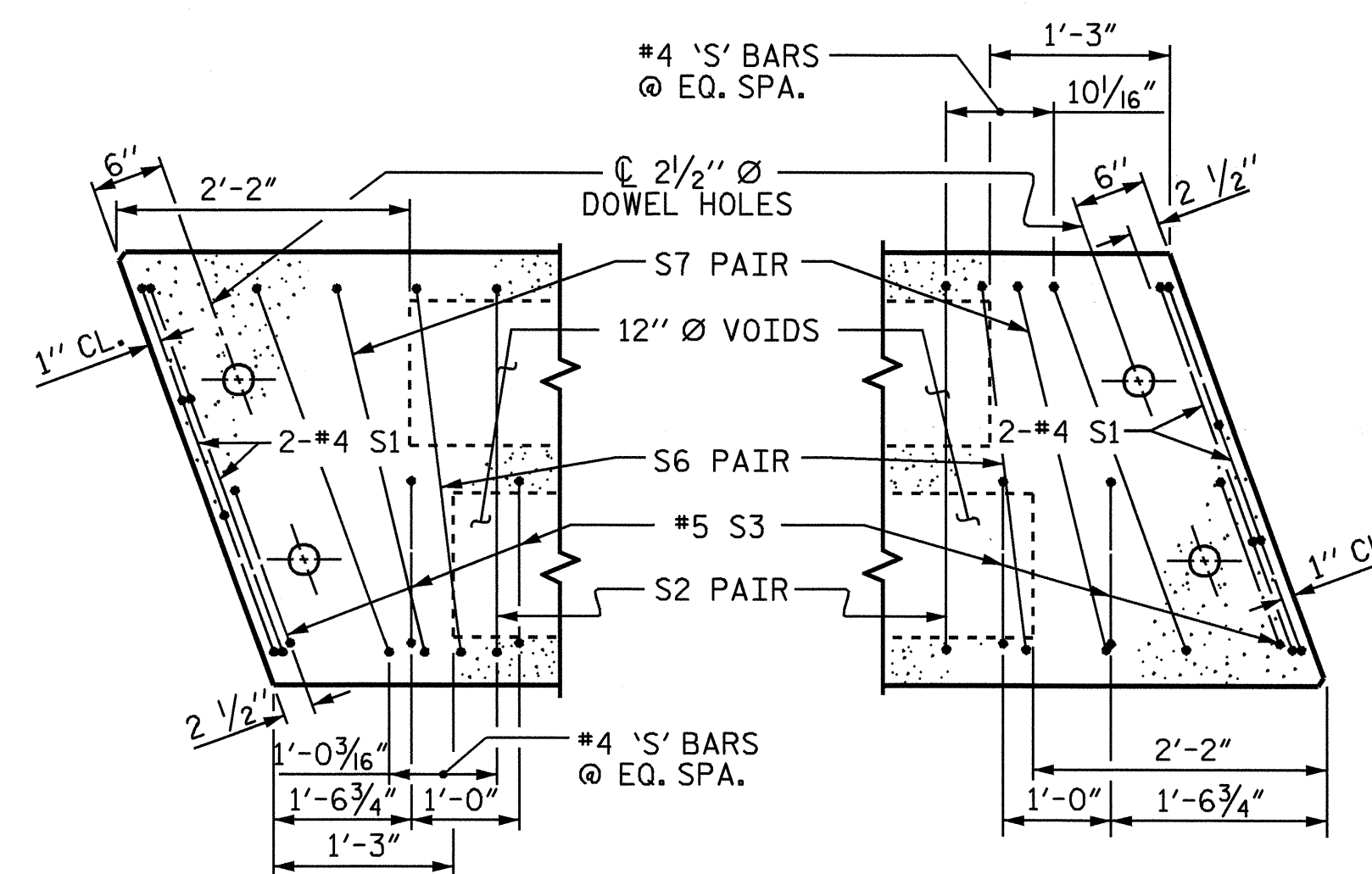
1/2" Ø LOW RELAXATION STRAND LAYOUT



END ELEVATION

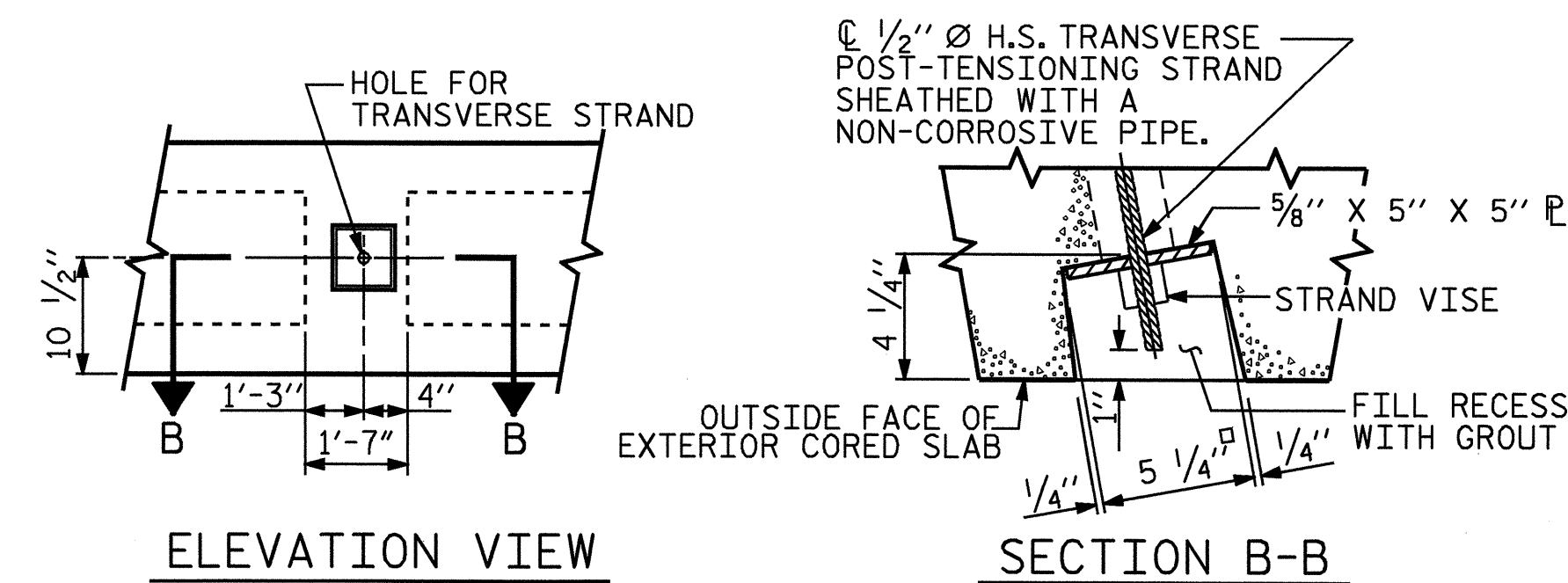
SHOWING PLACEMENT OF DOUBLE STIRRUPS AND LOCATION OF DOWEL HOLES. (STRAND LAYOUT NOT SHOWN.) INTERIOR SLAB SECTION SHOWN-EXTERIOR SLAB SECTION SIMILAR EXCEPT SHEAR KEY LOCATION.

Ⓚ BOND SHALL BE BROKEN ON THESE STRANDS FOR A DISTANCE OF 5'-0" FROM END OF CORED SLAB UNIT, SEE STANDARD SPECIFICATIONS ARTICLE 1078-7.



PART PLAN-EXTERIOR SECTION

NOTE: EXTERIOR SECTION SHOWN-INTERIOR SECTION SIMILAR EXCEPT OMIT S3 BARS.



ELEVATION VIEW

SECTION B-B

GROUTED RECESS AT END OF POST-TENSIONED STRAND CORED SLABS

PROJECT NO. B-3667  
JACKSON COUNTY  
STATION: 15+60.00 -L-

SHEET 1 OF 3

STATE OF NORTH CAROLINA  
DEPARTMENT OF TRANSPORTATION  
RALEIGH

3'-0" X 1'-9" PRESTRESSED CONCRETE CORED SLAB UNIT

OCTOBER 1981

ASSEMBLED BY : F. B. POOLE	DATE : 3-3-04
CHECKED BY : A. L. MEADOWS	DATE : 8-11-04
DRAWN BY : WJH	4/89
CHECKED BY : FCJ	5/89
REV. 8/16/99	RWW/LES
REV. 10/17/00	RWW/LES
REV. 7/10/01R	RWW/LES

REVISIONS						SHEET NO.
NO.	BY:	DATE:	NO.	BY:	DATE:	TOTAL SHEETS
1			3			S-25
2			4			37

