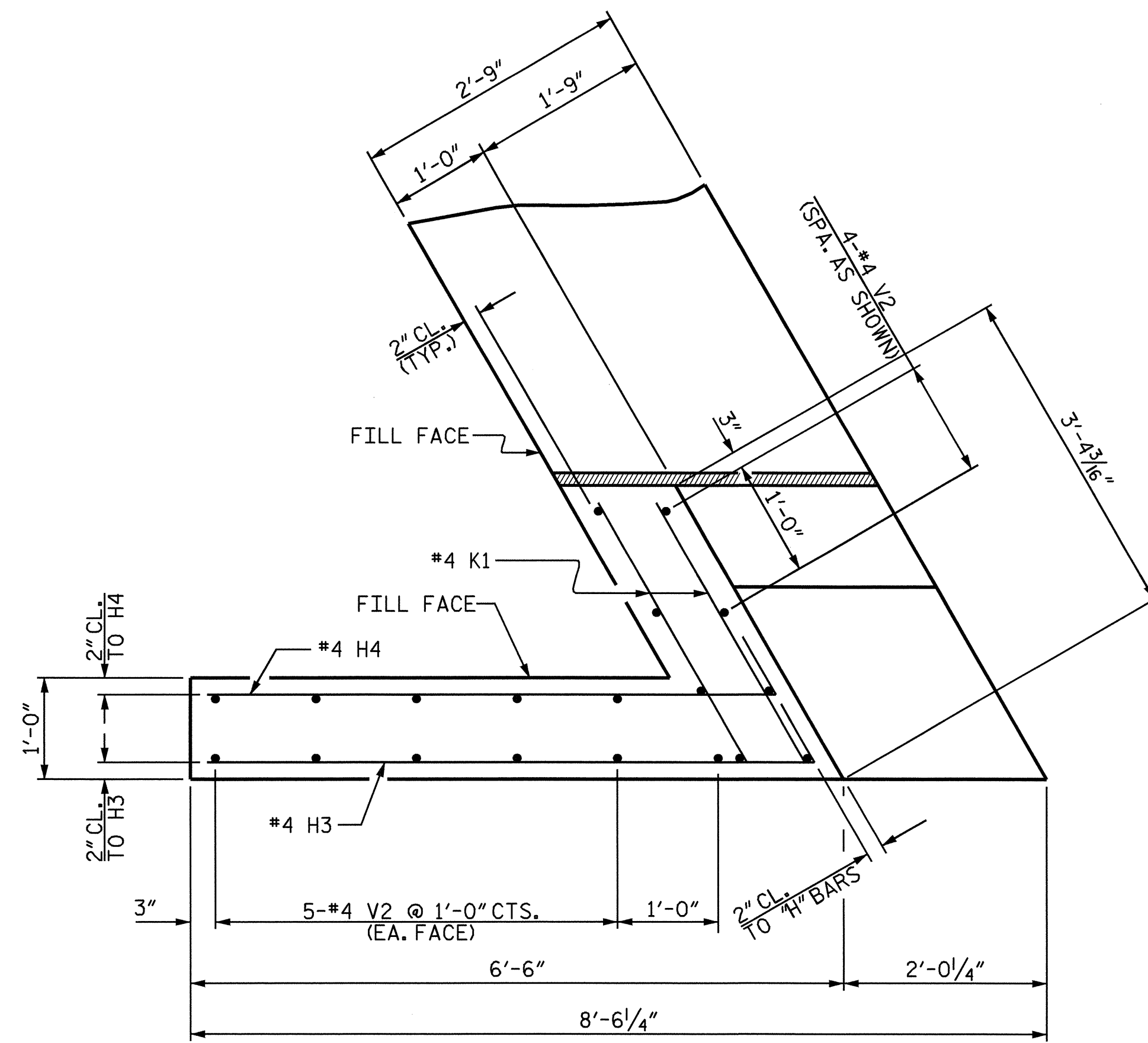
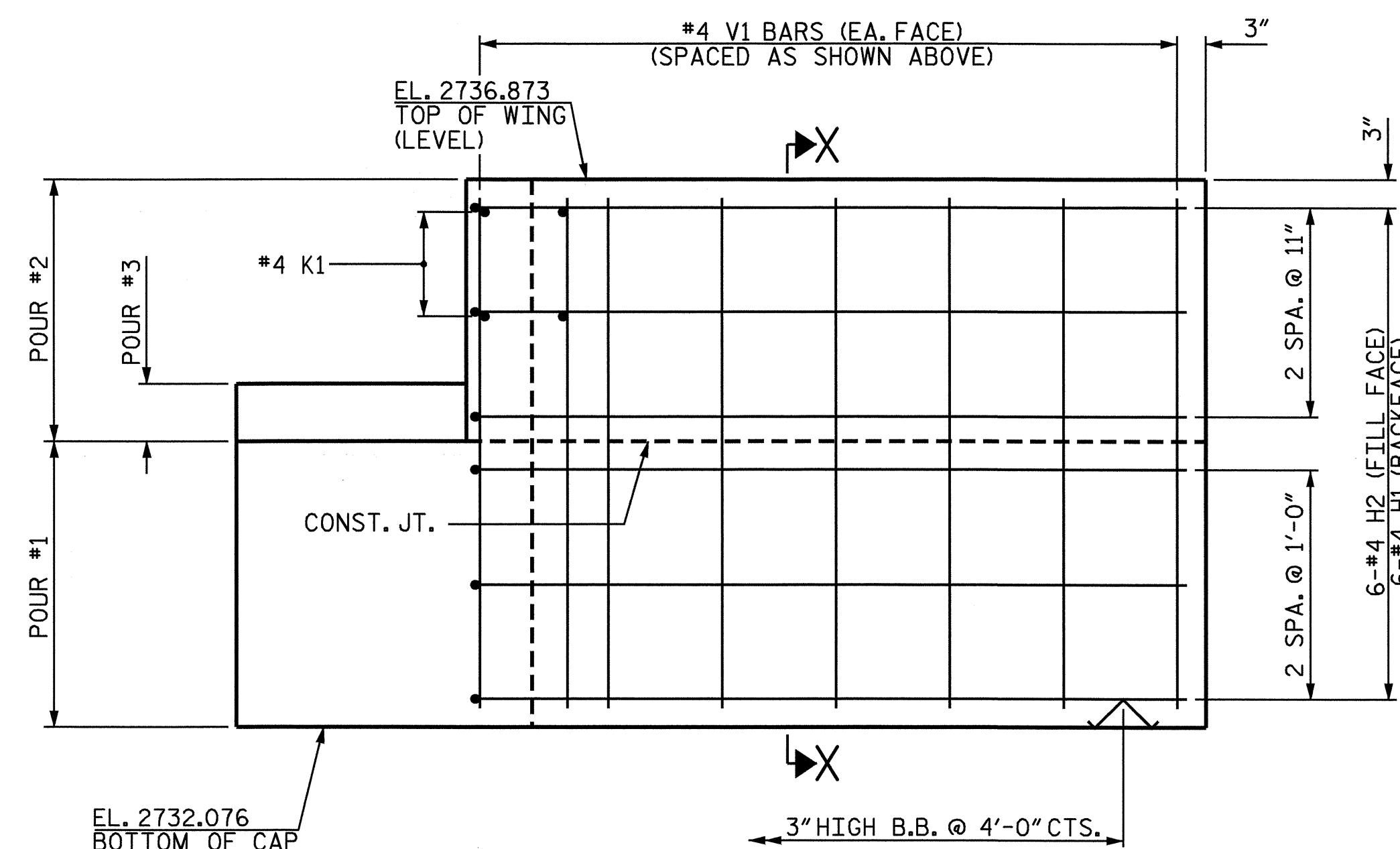


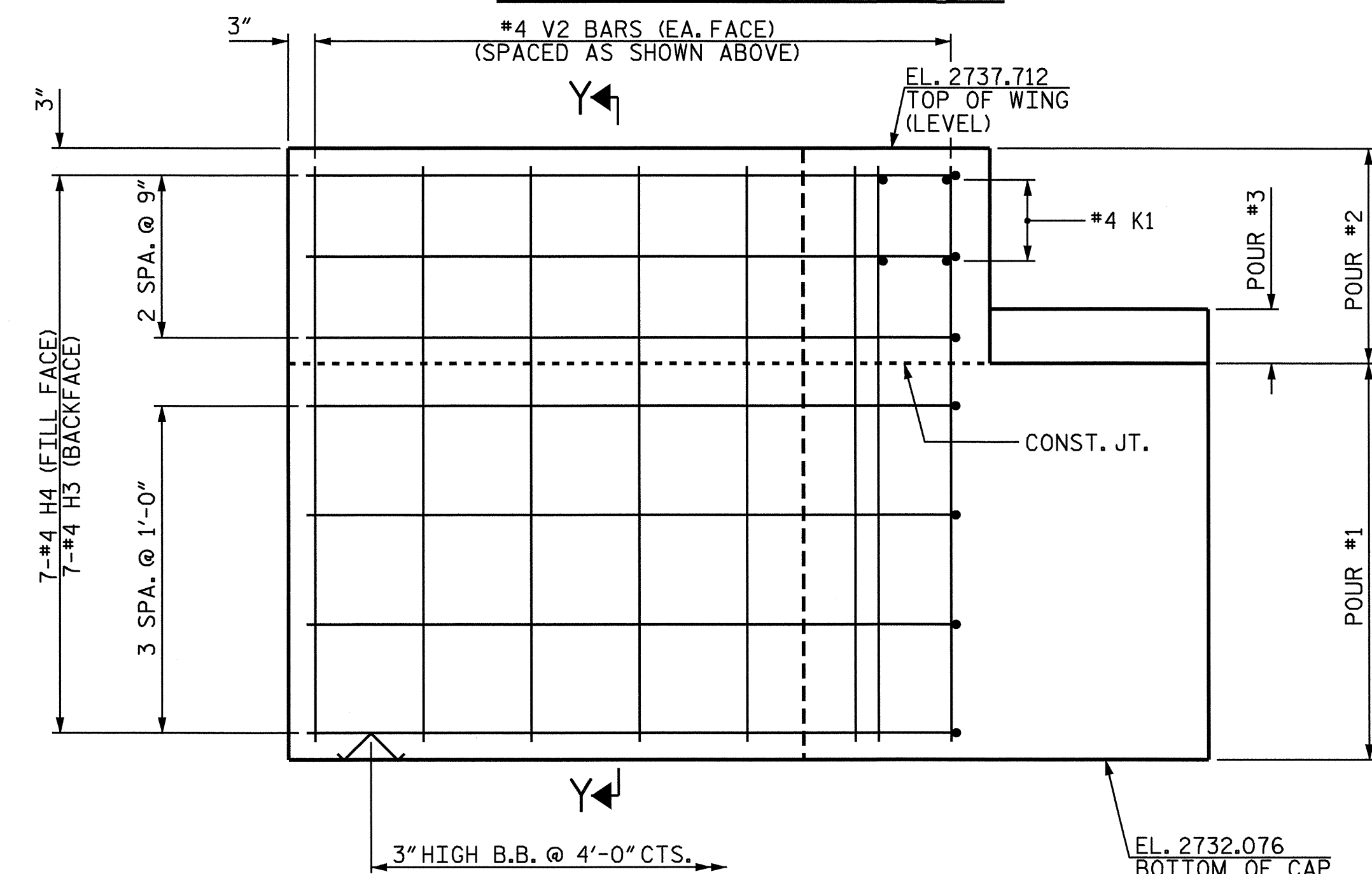
PLAN OF WING (W1)



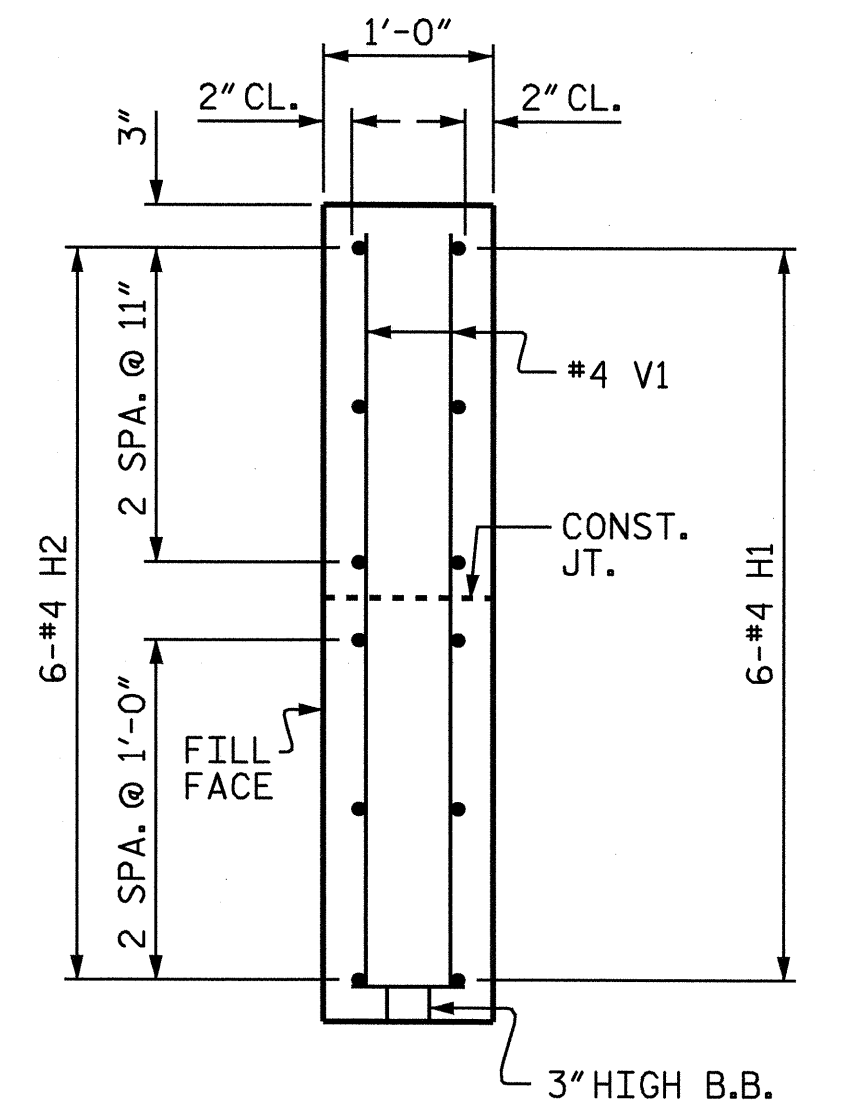
PLAN OF WING (W2)



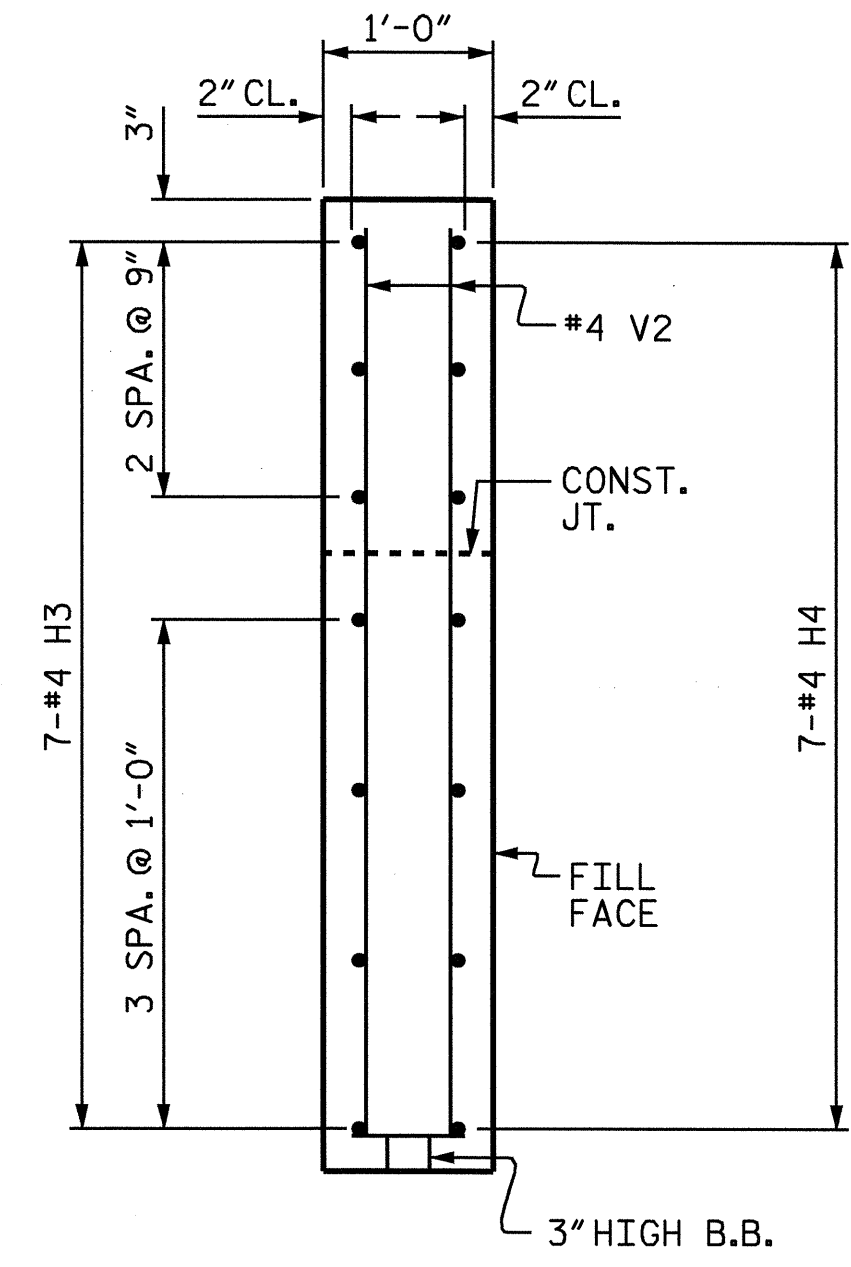
ELEVATION OF WING (W1)



ELEVATION OF WING (W2)



SECTION X-X



SECTION Y-Y

PROJECT NO. B-3667  
 JACKSON COUNTY  
 STATION: 15+60.00 -L-

SHEET 2 OF 3  
 STATE OF NORTH CAROLINA  
 DEPARTMENT OF TRANSPORTATION  
 RALEIGH  
 SUBSTRUCTURE  
 END BENT 1



DRAWN BY : A.M.KEETER DATE : 8/5/04  
 CHECKED BY : F.B.P./E.G.A. DATE : 9/10/04

REVISIONS						SHEET NO.	
NO.	BY:	DATE:	NO.	BY:	DATE:	S-29	
1			3			TOTAL SHEETS	37
2			4				