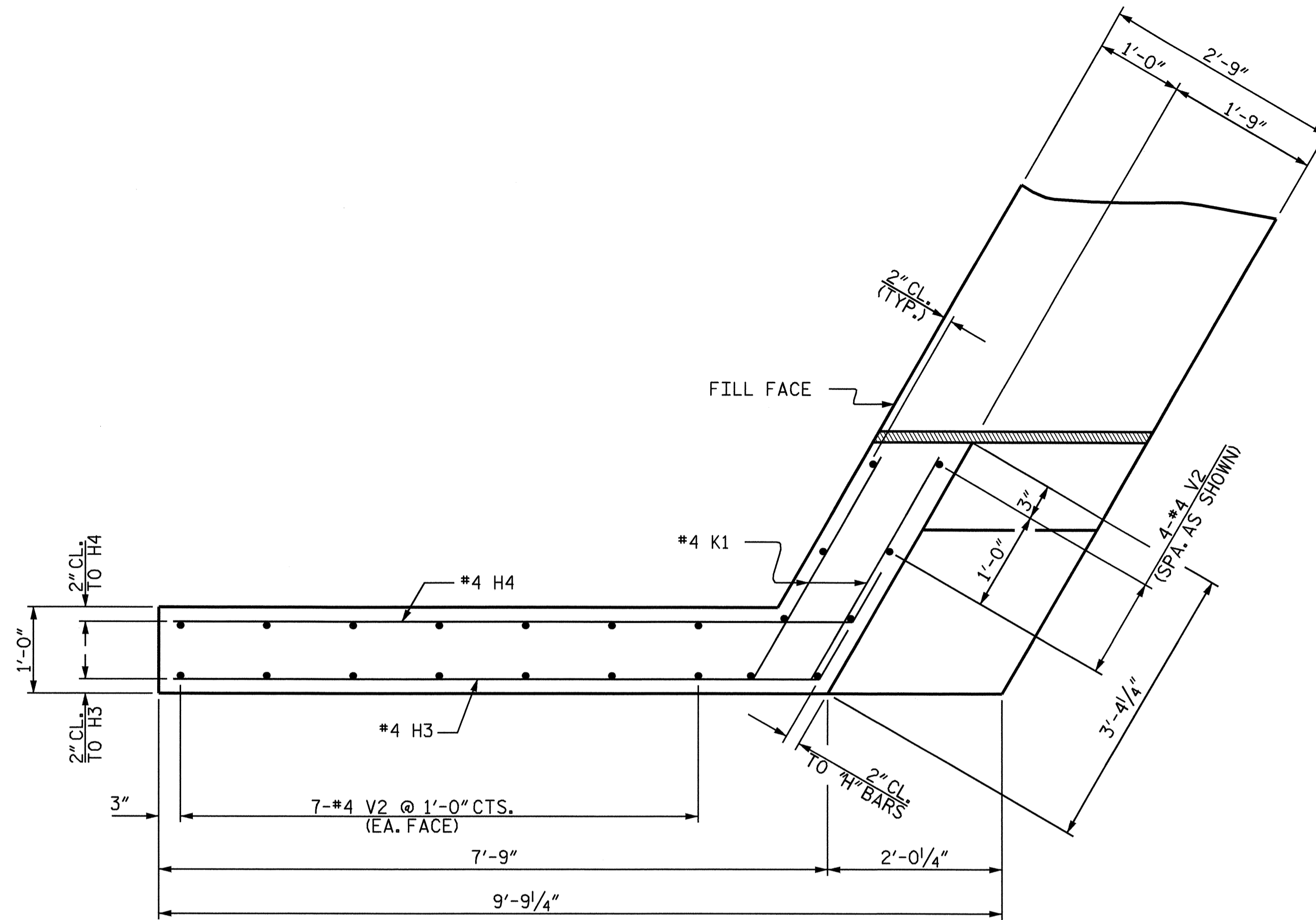
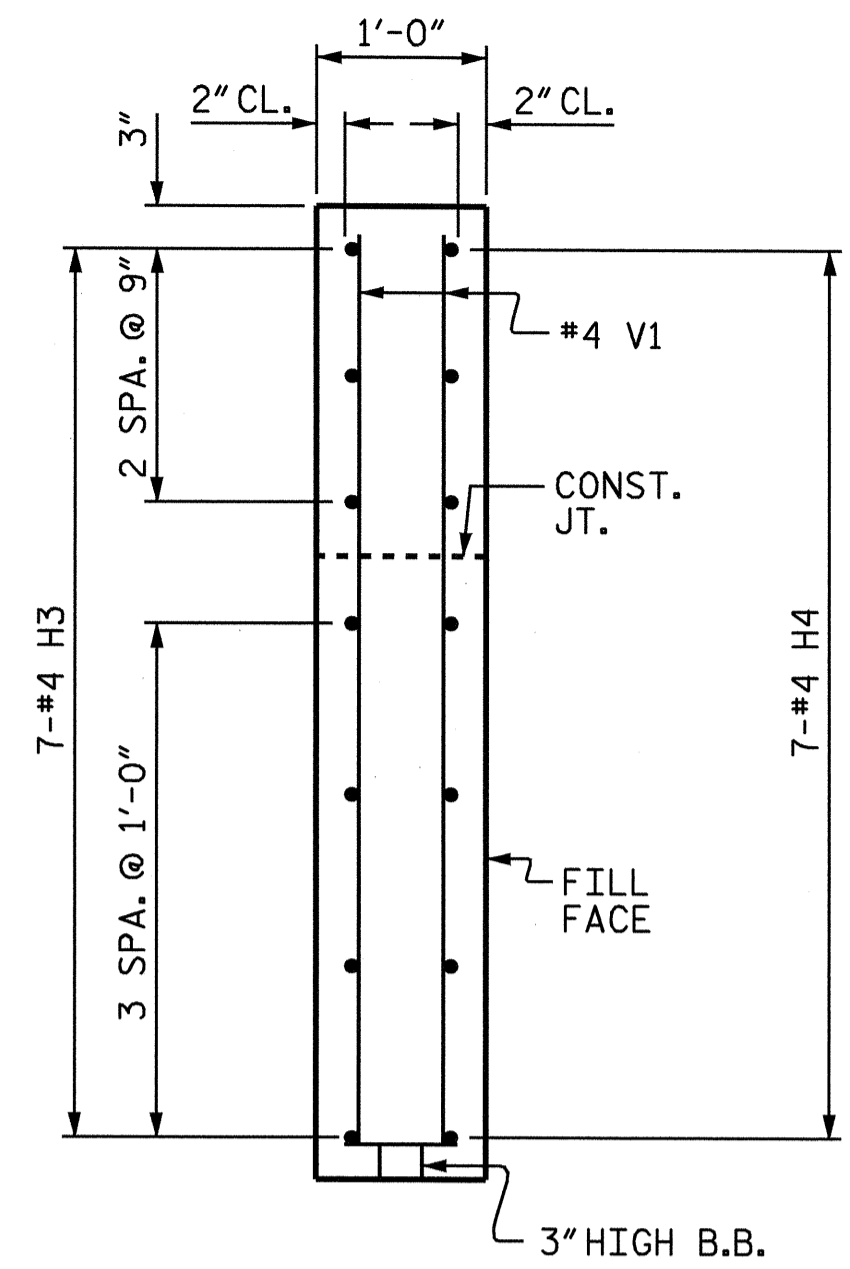


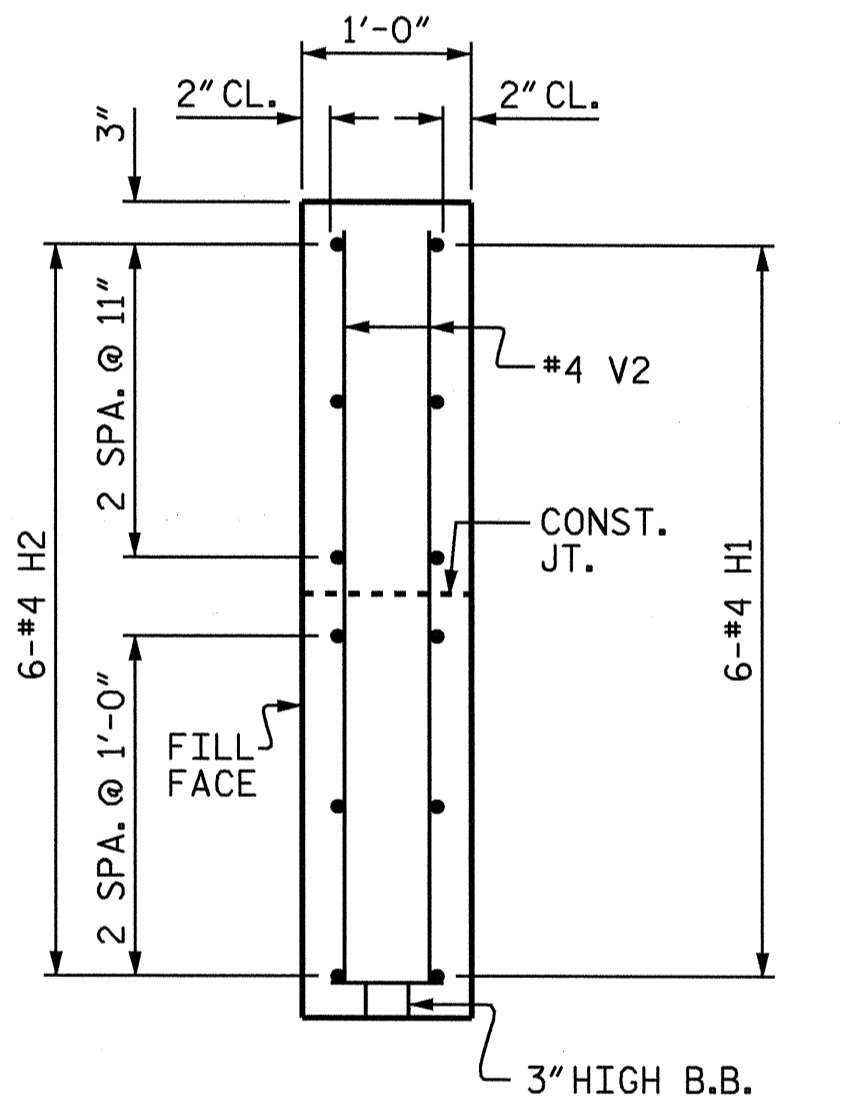
PLAN OF WING (W1)



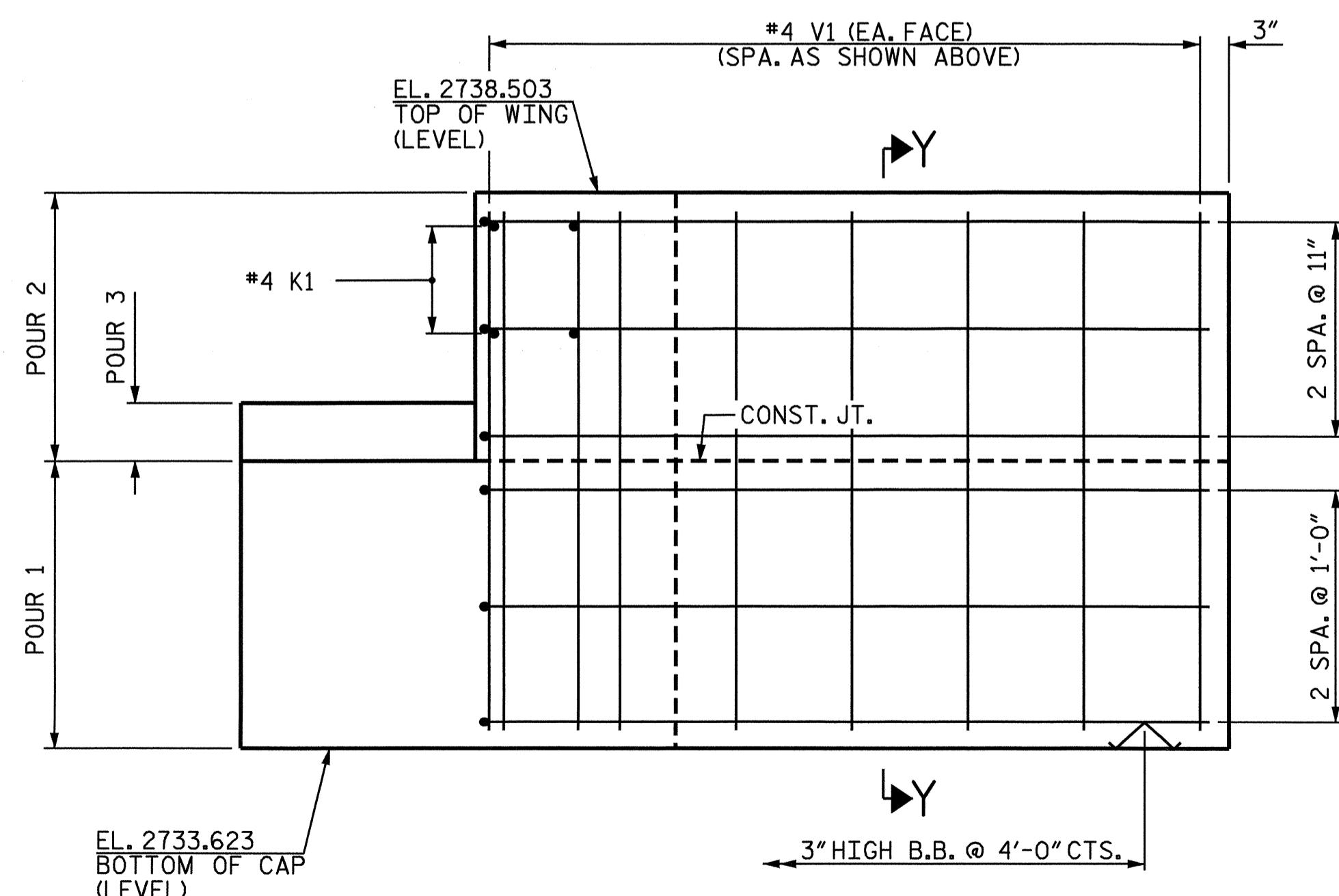
PLAN OF WING (W2)



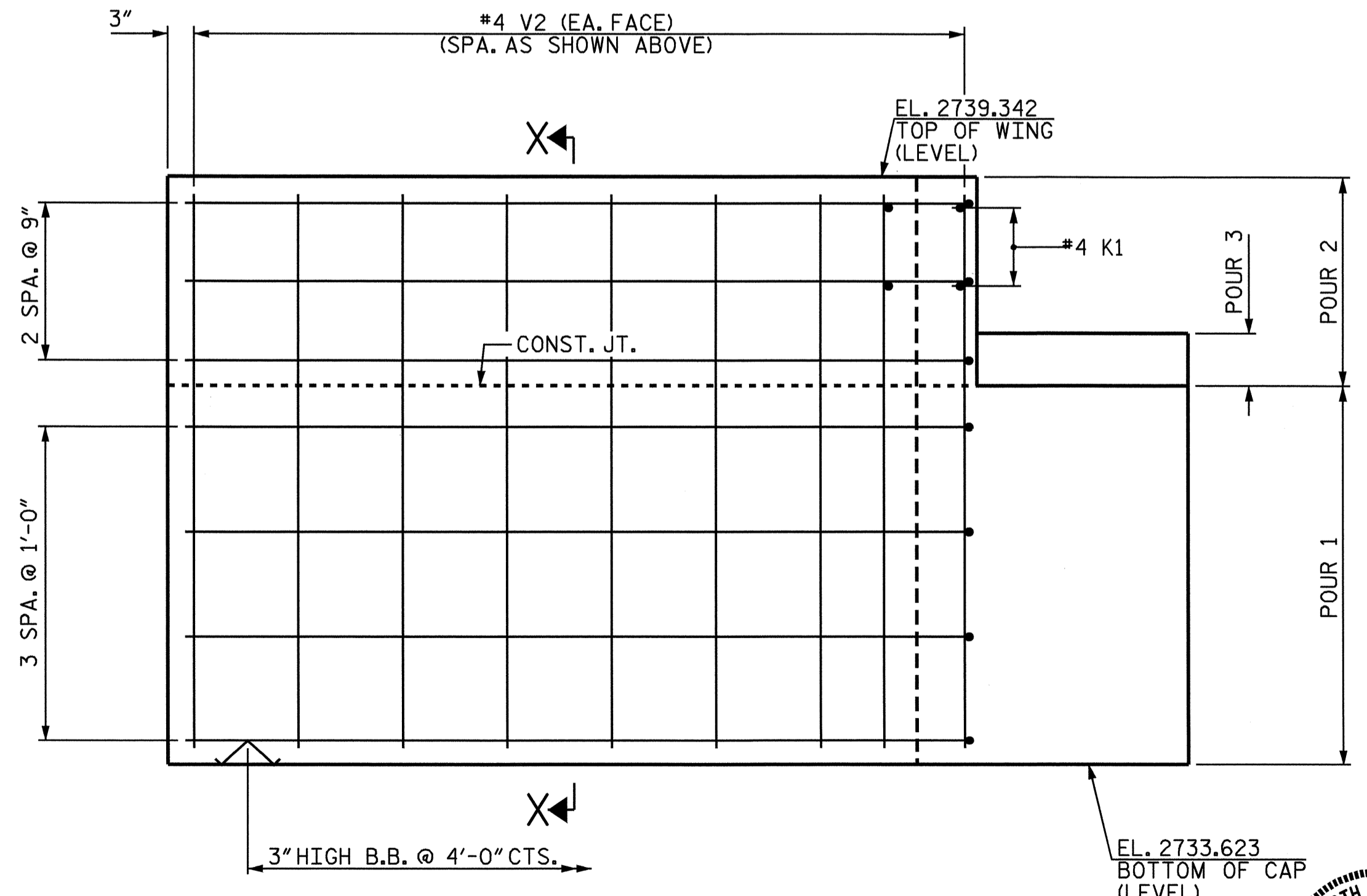
SECTION X-X



SECTION Y-Y



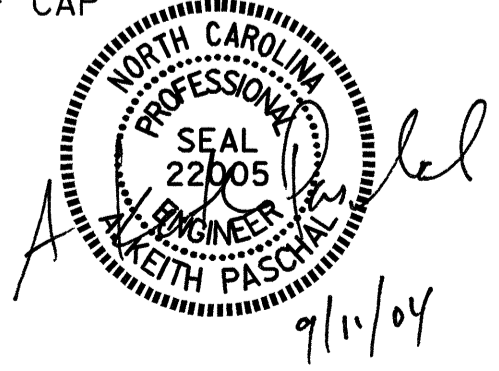
ELEVATION OF WING (W1)



ELEVATION OF WING (W2)

PROJECT NO. B-3667
 JACKSON COUNTY
 STATION: 15+60.00 -L-

SHEET 2 OF 3
 STATE OF NORTH CAROLINA
 DEPARTMENT OF TRANSPORTATION
 RALEIGH
 SUBSTRUCTURE
 END BENT 2



DRAWN BY: A.M.KEETER DATE: 8/9/04
 CHECKED BY: F.B.P./E.G.A. DATE: 9/10/04

REVISIONS						SHEET NO.	
NO.	BY:	DATE:	NO.	BY:	DATE:	S-32	
1			3			TOTAL SHEETS	
2			4			37	