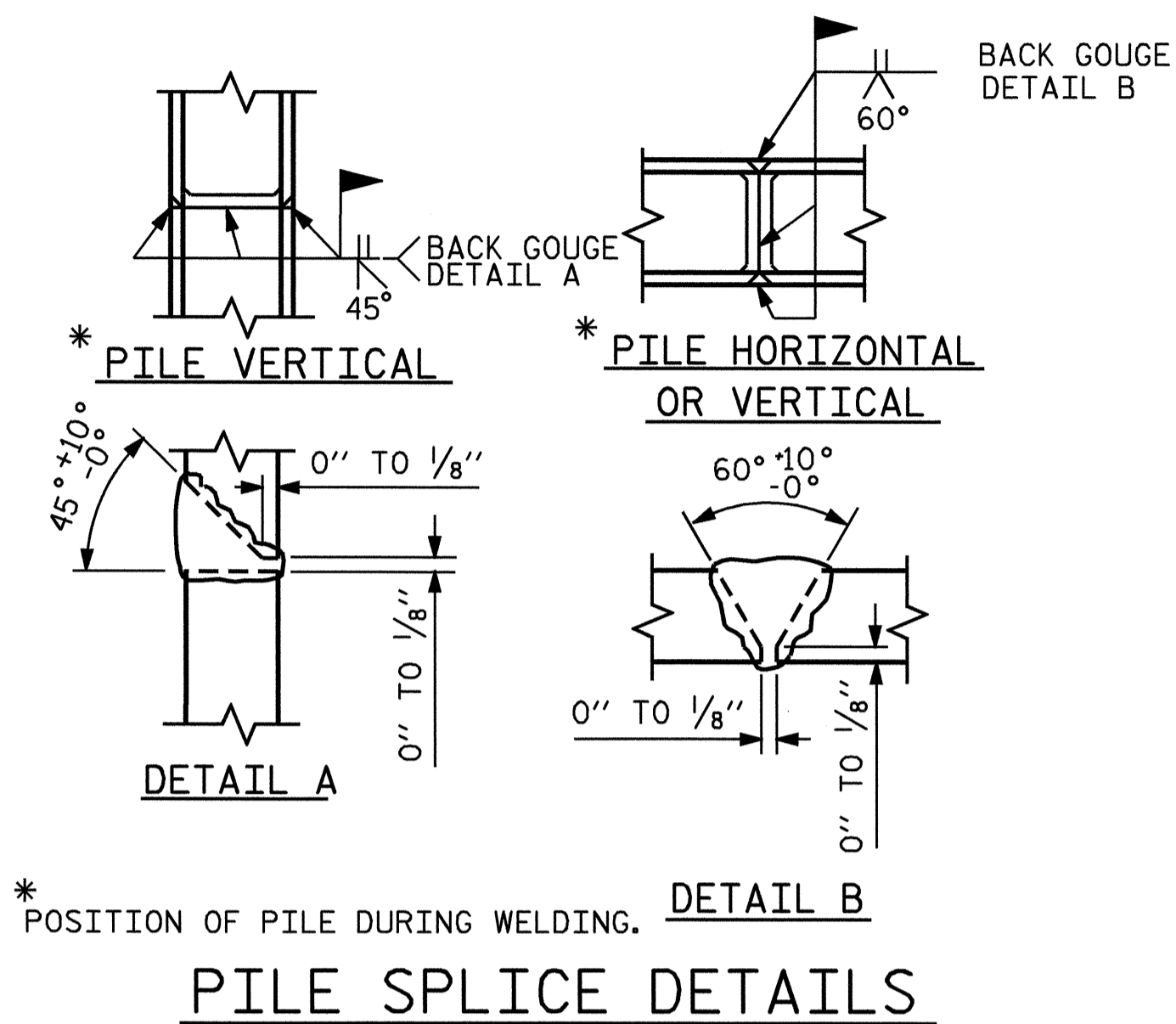
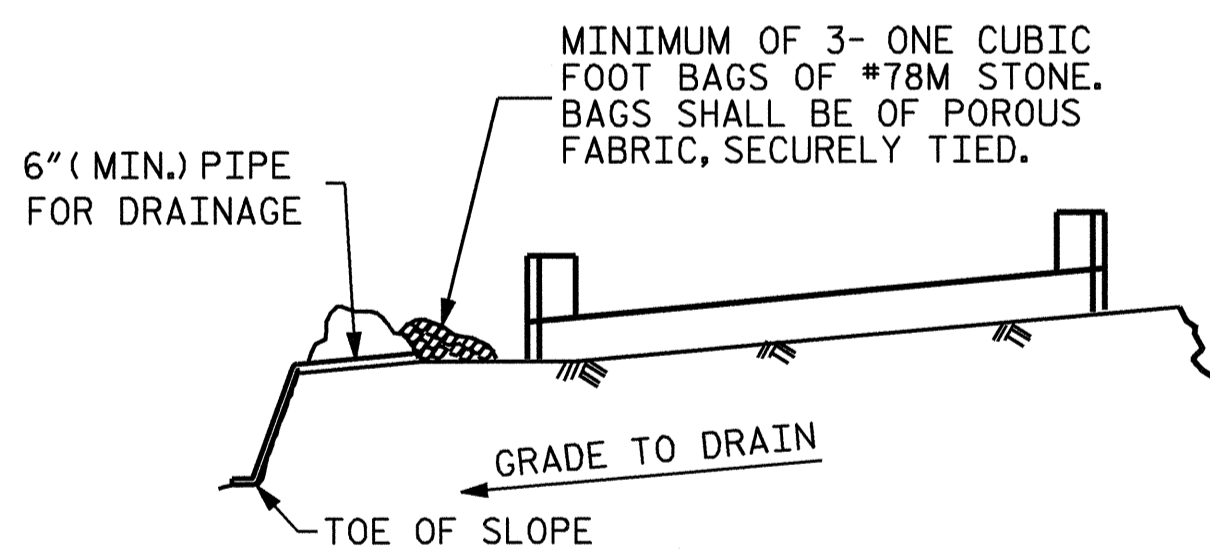


RETAINING BLOCK DETAILS
(EACH END SIMILAR)



PILE SPLICE DETAILS
* POSITION OF PILE DURING WELDING.



BAGGED STONE AND PIPE SHALL BE PLACED IMMEDIATELY AFTER COMPLETION OF END BENT EXCAVATION. PIPE MAY BE EITHER CONCRETE, CORRUGATED STEEL, CORRUGATED ALUMINUM ALLOY, OR CORRUGATED PLASTIC. PERFORATED PIPE WILL NOT BE ALLOWED.

BAGGED STONE SHALL REMAIN IN PLACE UNTIL THE ENGINEER DIRECTS THAT IT BE REMOVED. THE CONTRACTOR SHALL REMOVE AND DISPOSE OF SILT ACCUMULATIONS AT BAGGED STONE WHEN SO DIRECTED BY THE ENGINEER. BAGS SHALL BE REMOVED AND REPLACED WHENEVER THE ENGINEER DETERMINES THAT THEY HAVE DETERIORATED AND LOST THEIR EFFECTIVENESS.

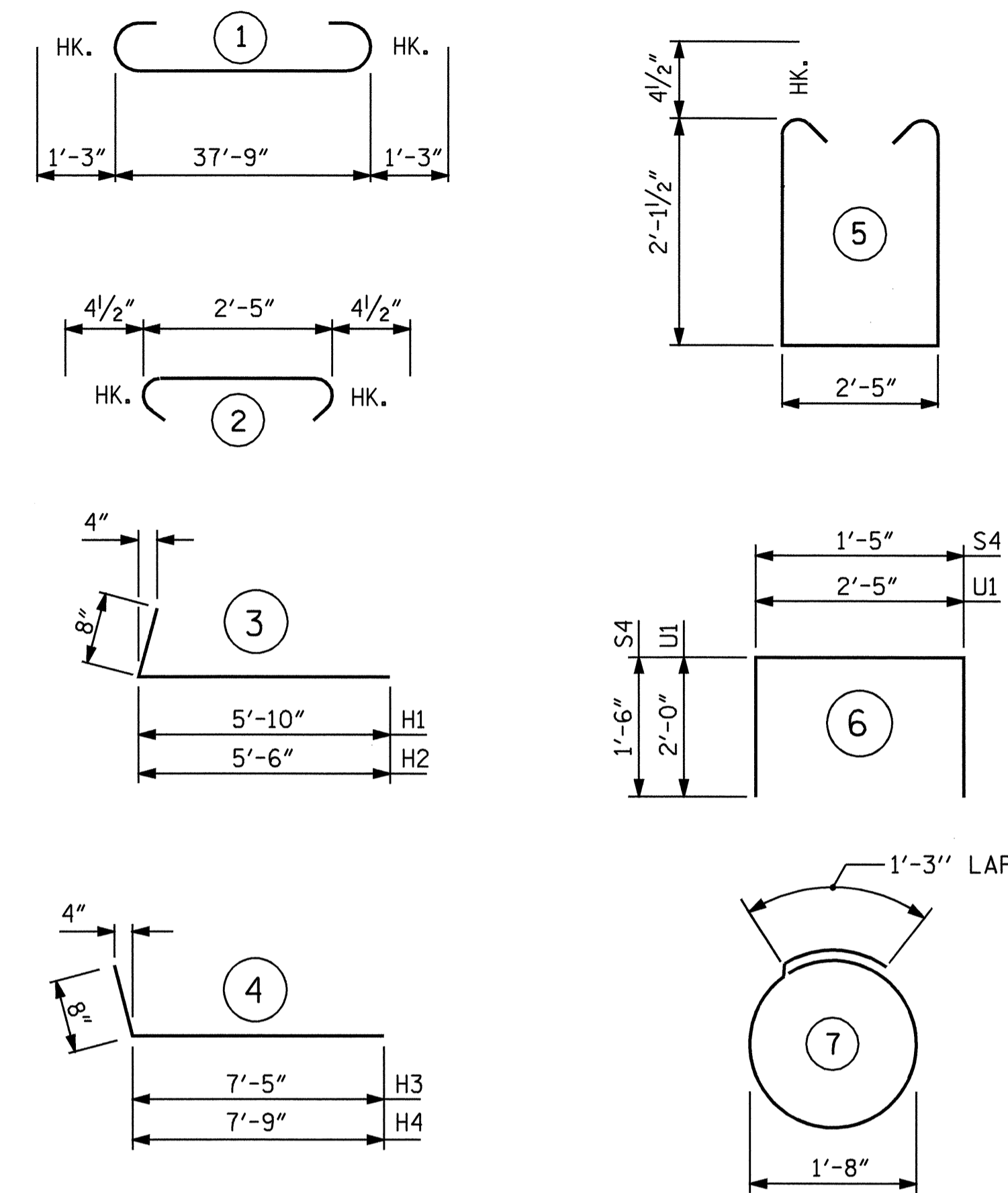
NO SEPARATE PAYMENT WILL BE MADE FOR THIS WORK AND THE ENTIRE COST OF THIS WORK SHALL BE INCLUDED IN THE UNIT CONTRACT PRICE BID FOR THE SEVERAL PAY ITEMS.

TEMPORARY DRAINAGE AT END BENT

DRAWN BY: A.M. KEETER DATE: 8/9/04
CHECKED BY: F.B.P./E.G.A. DATE: 9/10/04

13-SEP-2004 09:36
W:\squadp\b3667\str2\ameadows\Microstation\B-3667.sd.E*.02.dgn
ameadows

BAR TYPES



ALL BAR DIMENSIONS ARE OUT TO OUT.

BILL OF MATERIAL

END BENT 2

BAR	NO.	SIZE	TYPE	LENGTH	WEIGHT
B1	8	9	1	40- 3	1095
B2	2	5	STR	37- 10	79
B3	8	4	STR	20- 2	108
B4	9	4	STR	2- 5	15
B5	4	4	STR	30- 0	80
D1	18	6	STR	1- 6	41
H1	6	4	3	6- 6	26
H2	6	4	3	6- 2	25
H3	7	4	4	8- 1	38
H4	7	4	4	8- 5	39
K1	8	4	STR	2- 11	16
S1	32	4	5	7- 5	159
S2	32	4	2	3- 2	68
S3	14	4	7	6- 6	61
S4	4	4	6	4- 7	12
U1	19	4	6	6- 5	81
V1	19	4	STR	4- 6	57
V2	22	4	STR	5- 4	78

REINFORCING STEEL 2078 LBS.

CLASS A CONCRETE (CU. YDS.)

POUR #	DESCRIPTION	QUANTITY
POUR #1	CAP & LOWER PART OF WINGS	13.8
POUR #2	UPPER PART OF WINGS	1.6
POUR #3	LATERAL GUIDES	0.1
TOTAL		15.5

HP 12 X 53 STEEL PILES
NO. 7 (LIN. FT.) 350.0

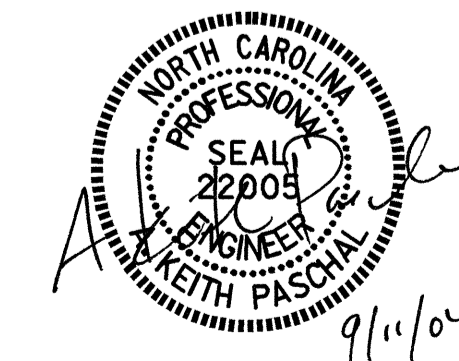
STEEL PILE POINTS 7 EACH

PROJECT NO. B-3667
JACKSON COUNTY
STATION: 15+60.00 -L-

SHEET 3 OF 3

STATE OF NORTH CAROLINA
DEPARTMENT OF TRANSPORTATION
RALEIGH

SUBSTRUCTURE
END BENT 2



REVISIONS						SHEET NO.
NO.	BY:	DATE:	NO.	BY:	DATE:	S-33
1			3			TOTAL SHEETS 37
2			4			