

PLAN @ END BENT 1

PLAN @ END BENT 2

NOTES

THE COST OF THE BARRIER RAIL ON THE APPROACH SLAB SHALL BE INCLUDED IN THE LUMP SUM CONTRACT PRICE BID FOR BRIDGE APPROACH SLABS.

FOR REINFORCED BRIDGE APPROACH FILL INCLUDING FABRIC, IMPERMEABLE GEOMEMBRANE, 4" Ø DRAINAGE PIPE, #78M STONE, AND SELECT MATERIAL, SEE ROADWAY PLANS.

TEMPORARY DRAINAGE AND TEMPORARY BERM AND SLOPE DRAINS WILL BE PAID FOR UNDER THE LUMP SUM PRICE FOR BRIDGE APPROACH SLAB.

AREA BETWEEN THE WINGWALL AND APPROACH SLAB SHALL BE GRADED TO DRAIN THE WATER AWAY FROM THE FILL FACE OF THE BRIDGE AND SHALL BE PAVED. SEE ROADWAY PLANS.

THE 6" COMP. A.B.C. SHALL EXTEND 10'-0" BEYOND THE END OF THE APPROACH SLAB AND 1'-0" OUTSIDE OF EACH EDGE OF SLAB.

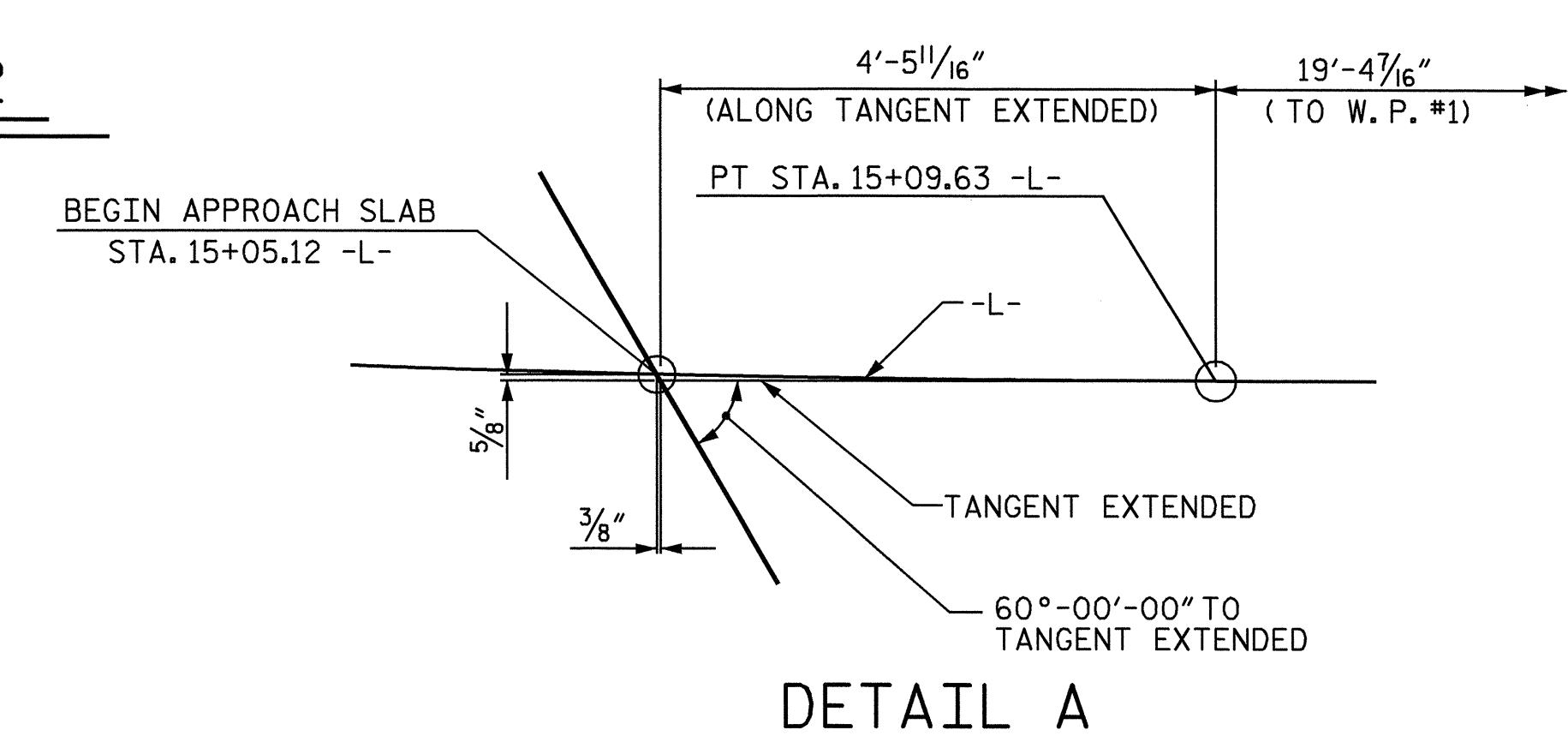
THE CONTRACTOR MAY USE 4" TYPE B-25.0B ASPHALT CONCRETE BASE COURSE IN LIEU OF 6" COMP. A.B.C. IF THIS OPTION IS USED, THE BASE COURSE SHALL EXTEND 1'-0" BEYOND THE END OF THE APPROACH SLAB AND THE WIDTH SHALL BE THE SAME AS THAT OF THE APPROACH SLAB.

THE CONTRACTOR MAY USE 5" CLASS "A" CONCRETE BASE IN LIEU OF 6" COMP. A.B.C. IF THIS OPTION IS USED, THE CONCRETE BASE SHALL EXTEND 1'-0" BEYOND THE END OF THE APPROACH SLAB AND THE WIDTH SHALL BE THE SAME AS THAT OF THE APPROACH SLAB. THE CONCRETE SHALL BE FINISHED TO A SMOOTH SURFACE AND A LAYER OF 30 LB ROOFING FELT SHALL BE PLACED BETWEEN THE CONCRETE BASE AND THE APPROACH SLAB TO PREVENT BOND. THE APPROACH SLAB SHALL NOT BE CAST UNTIL THE CONCRETE BASE HAS REACHED AN AGE OF THREE CURING DAYS.

FOR JOINT DETAILS, SEE "PRESTRESSED CONCRETE CORED SLAB UNIT" SHEETS.

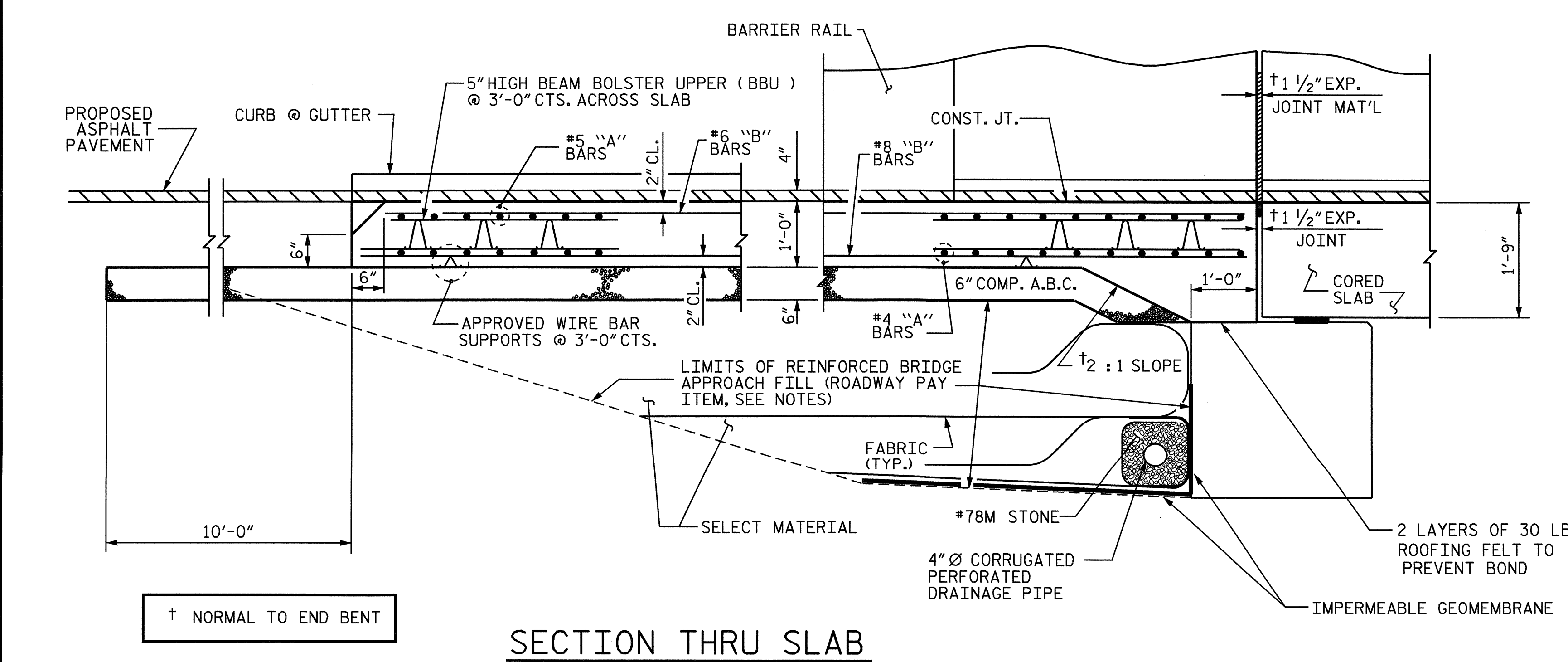
THE JOINT AT THE END BENT SHALL BE SEALED AS SOON AS PRACTICAL AFTER THE CONSTRUCTION OF THE APPROACH SLABS.

APPROACH SLAB GROOVING IS NOT REQUIRED.

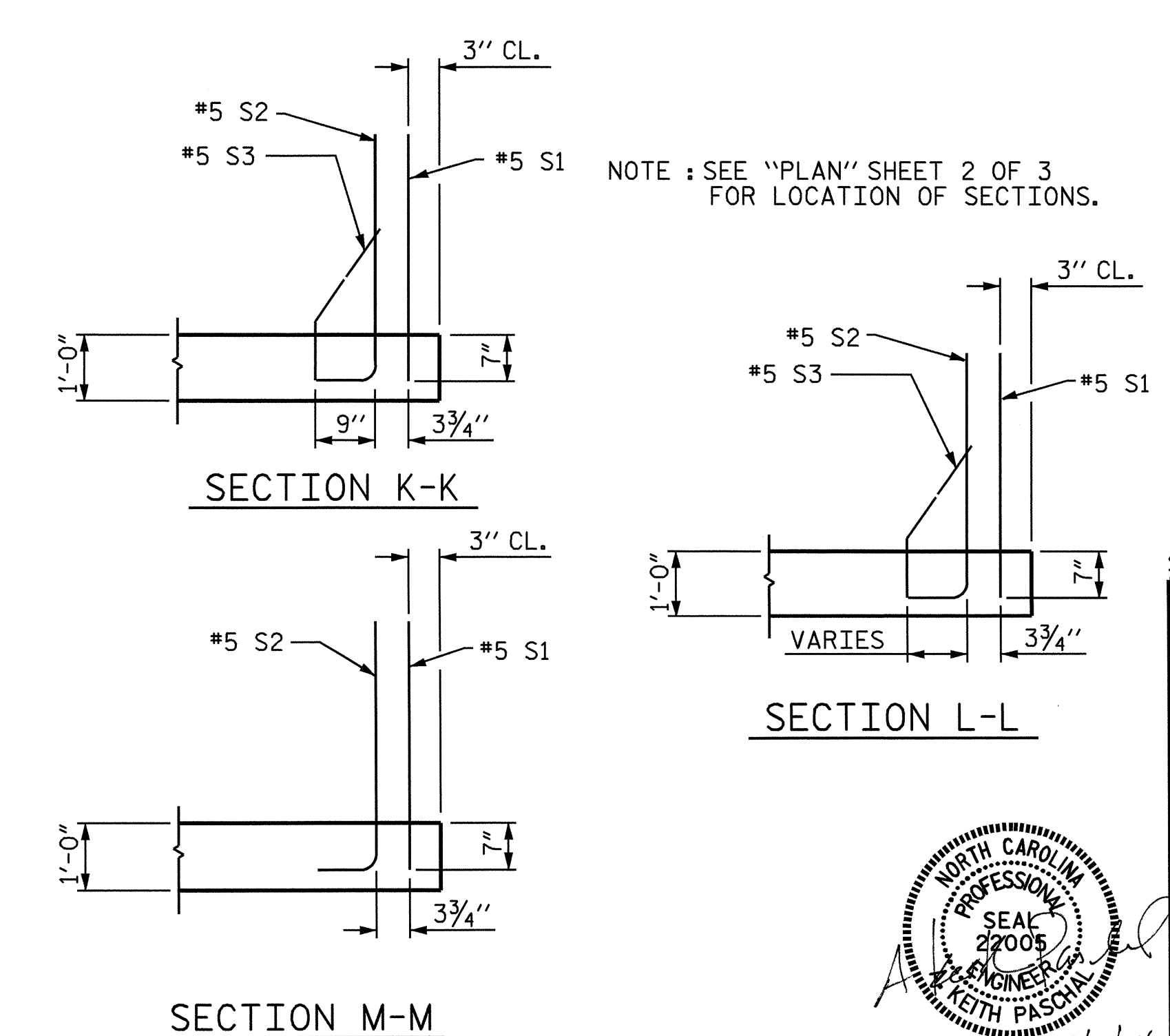


DETAIL A

| BILL OF MATERIAL | | | | | |
|------------------------------------|-----|------|------|---------|--------|
| FOR ONE APPROACH SLAB (2 REQ'D) | | | | | |
| BAR | NO. | SIZE | TYPE | LENGTH | WEIGHT |
| *A1 | 49 | #5 | STR | 30'-9" | 1572 |
| A2 | 98 | #4 | STR | 16'-3" | 1064 |
| *B1 | 53 | #6 | STR | 24'-1" | 1917 |
| B2 | 53 | #8 | STR | 24'-8" | 3491 |
| *B3 | 1 | #5 | 3 | 6'-7" | 7 |
| *B4 | 1 | #5 | 3 | 5'-11" | 6 |
| *B5 | 7 | #5 | STR | 11'-8" | 85 |
| *B6 | 7 | #5 | STR | 11'-4" | 83 |
| *B7 | 1 | #5 | STR | 11'-11" | 12 |
| B8 | 1 | #4 | STR | 11'-11" | 8 |
| *B9 | 1 | #5 | STR | 11'-4" | 12 |
| B10 | 1 | #4 | STR | 11'-4" | 8 |
| *S1 | 48 | #5 | STR | 3'-3" | 163 |
| *S2 | 48 | #5 | 1 | 4'-1" | 204 |
| *S3 | 20 | #5 | 2 | 2'-3" | 47 |
| REINFORCING STEEL | | | | LBS. | 4571 |
| *EPOXY COATED REINFORCING STEEL | | | | LBS. | 4108 |
| CLASS AA CONCRETE BREAKDOWN | | | | | |
| POUR 1 SLAB & CURB | | | | C. Y. | 30.2 |
| POUR 2 RAIL | | | | C. Y. | 1.9 |
| CLASS AA CONCRETE | | | | C. Y. | 32.1 |
| BAR TYPES | | | | | |
| | | | | | |
| ALL BAR DIMENSIONS ARE OUT TO OUT. | | | | | |



SECTION THRU SLAB



SECTION K-K

SECTION L-L

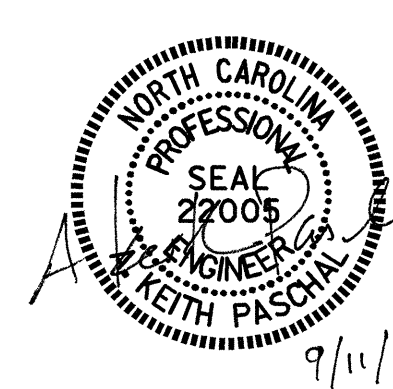
SECTION M-M

PROJECT NO. B-3667
JACKSON COUNTY
 STATION: 15+60.00 -L-

SHEET 1 OF 3

STATE OF NORTH CAROLINA
 DEPARTMENT OF TRANSPORTATION
 RALEIGH

STANDARD
 BRIDGE APPROACH SLAB
 FOR PRESTRESSED CONCRETE
 CORED SLAB WITH
 BARRIER RAIL



| REVISIONS | | | | | SHEET NO. |
|-----------|-----|-------|-----|-------|--------------|
| NO. | BY: | DATE: | NO. | DATE: | S-35 |
| 1 | | | 3 | | TOTAL SHEETS |
| 2 | | | 4 | | 37 |

ASSEMBLED BY: E. G. ALLEN DATE: 8-11-04
 CHECKED BY: A. L. MEADOWS DATE: 8-16-04
 DRAWN BY: LES 8/01 REV. 5/1/03R RWW/JTE
 CHECKED BY: RDR 8/01