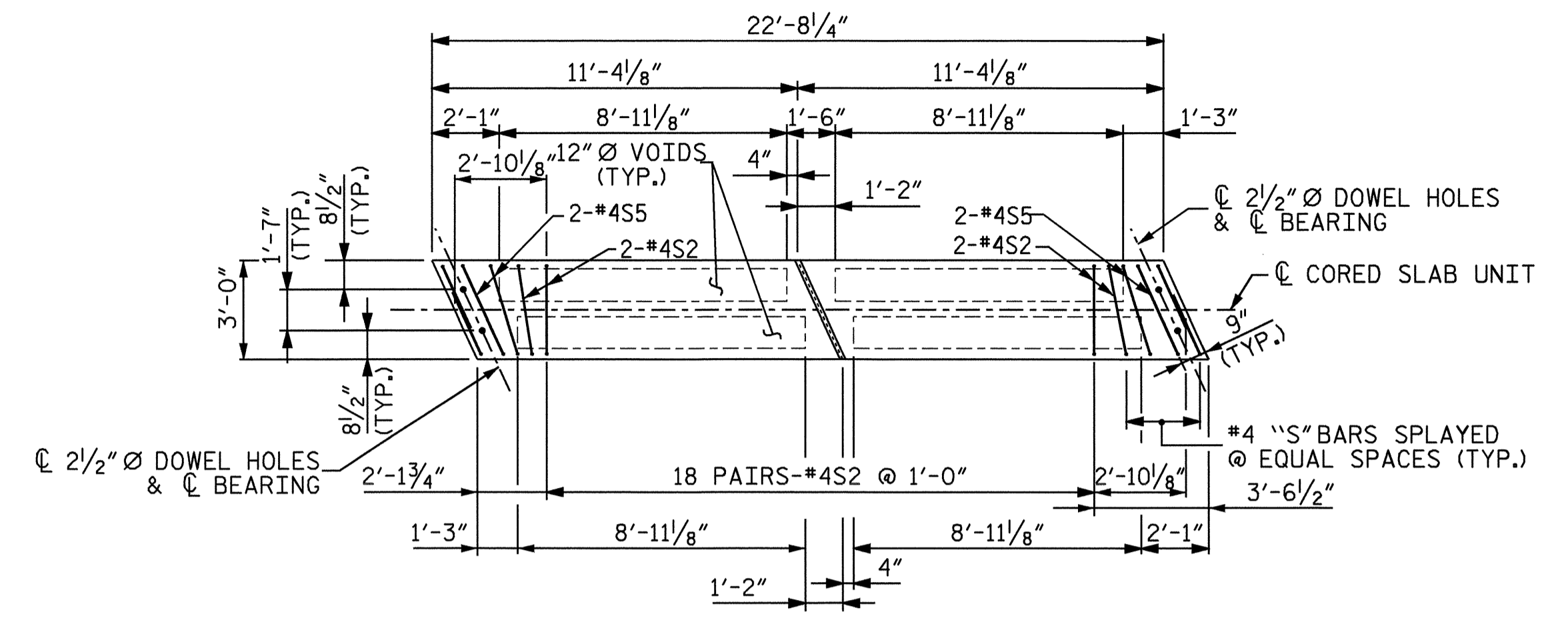
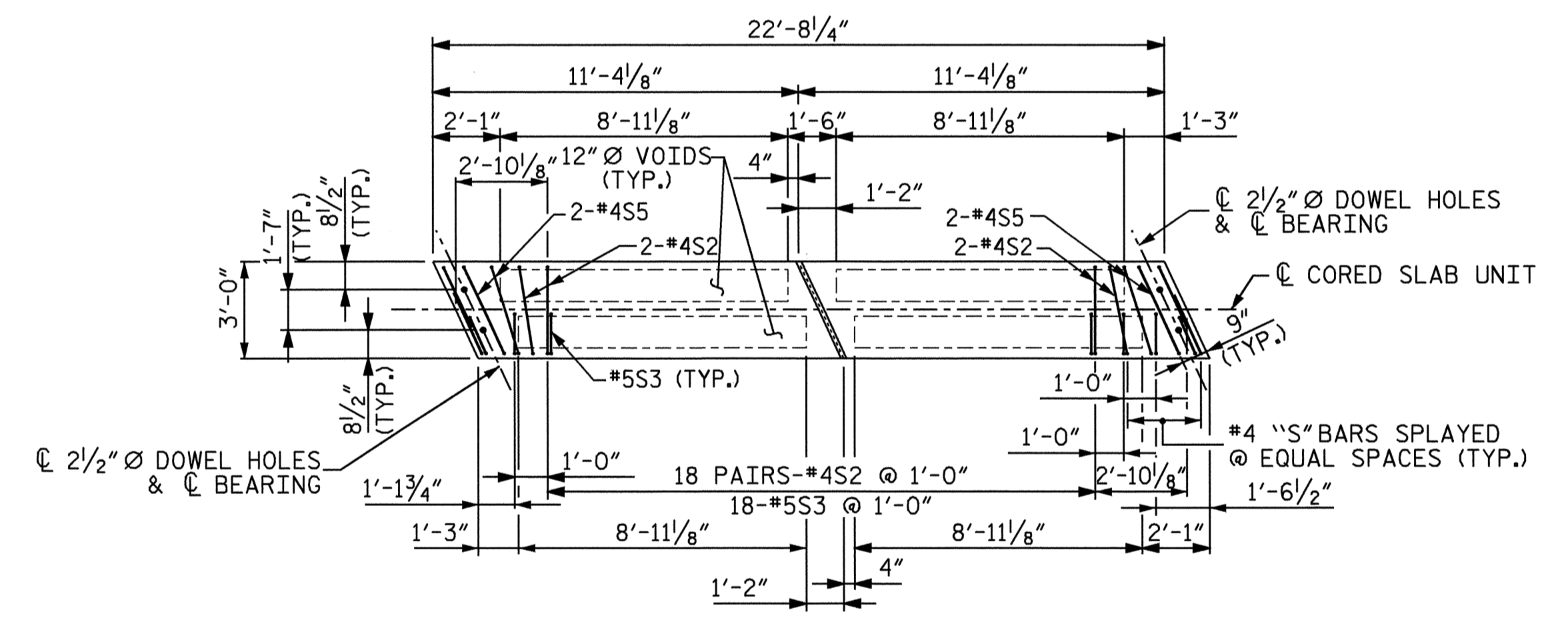


PLAN OF SPAN A



PLAN OF INTERIOR CORED SLAB UNIT



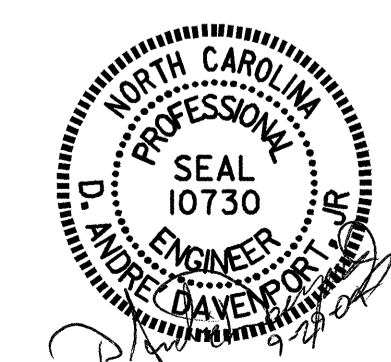
PLAN OF EXTERIOR CORED SLAB UNIT

PROJECT NO. B-4134
HALIFAX COUNTY
 STATION: 14+23.00 -L-

SHEET 2 OF 5

STATE OF NORTH CAROLINA
 DEPARTMENT OF TRANSPORTATION
 RALEIGH
 SUPERSTRUCTURE

PLAN OF SPAN A



DRAWN BY : M. M. PARSONS/DAD DATE : 10/29/02
 CHECKED BY : H. T. BARBOUR DATE : 1/23/03

REVISIONS					SHEET NO.
NO.	BY:	DATE:	NO.	BY:	DATE:
1			3		
2			4		

TOTAL SHEETS	23
--------------	----