

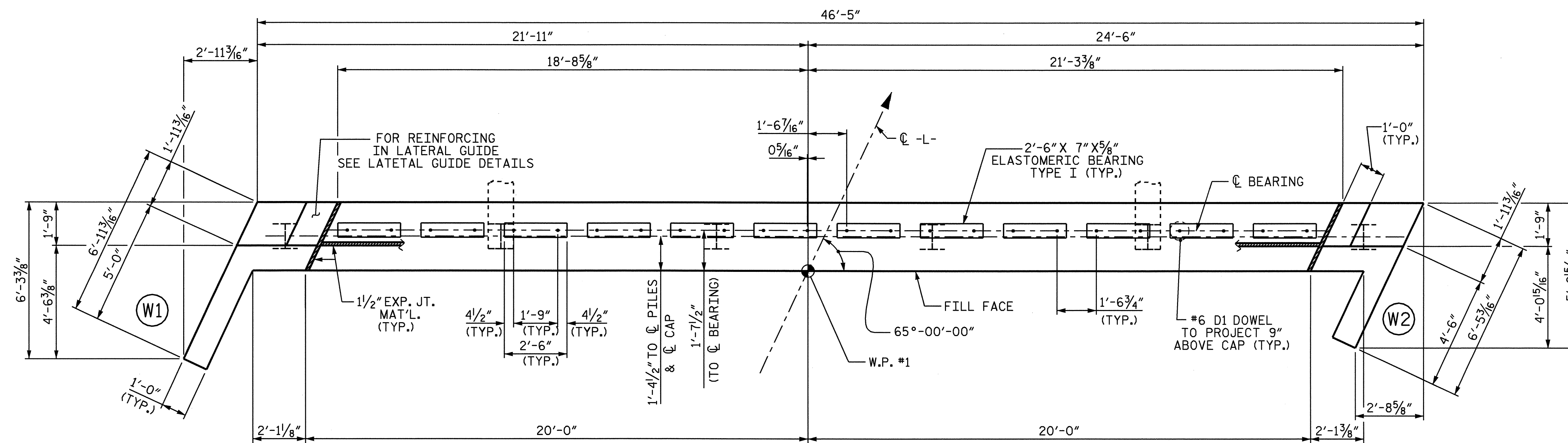
**NOTES**

STIRRUPS IN CAP MAY BE SHIFTED AS NECESSARY TO CLEAR DOWELS.

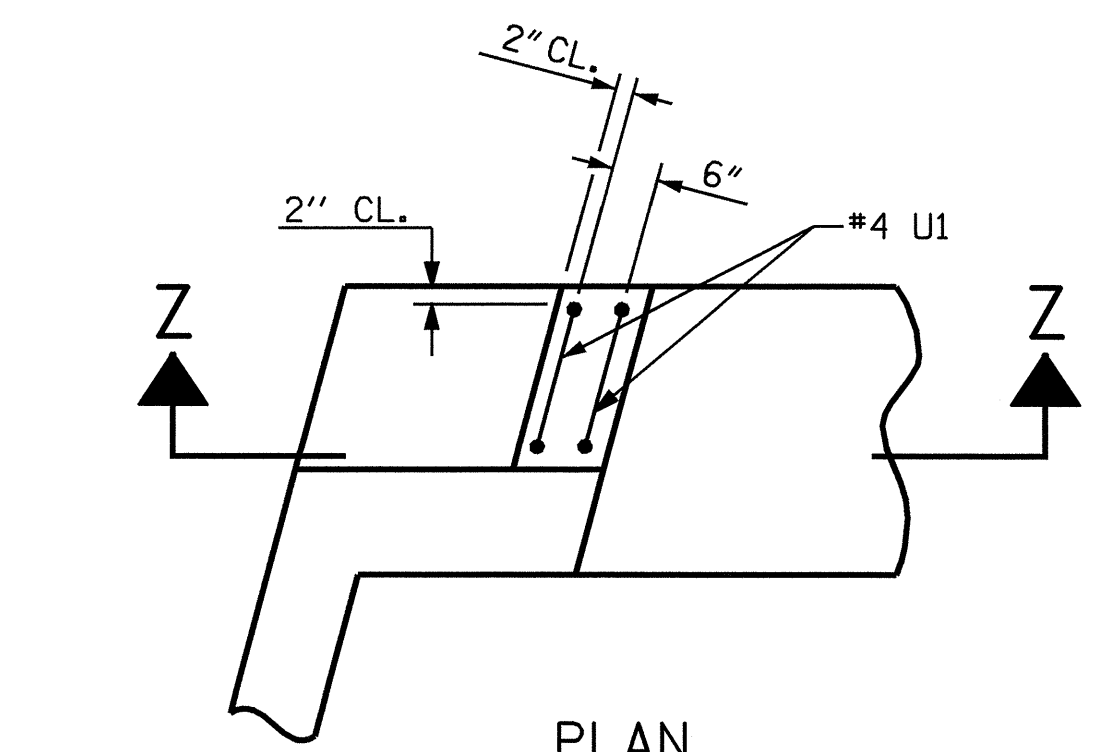
PIPE DRAINS MAY BE SHIFTED SLIGHTLY AS NECESSARY TO CLEAR REINFORCING STEEL AND DOWELS.

THE LATERAL GUIDE AT EACH END OF THE CAP IS NOT TO BE POURED UNTIL AFTER THE CORED SLAB UNITS ARE IN PLACE.

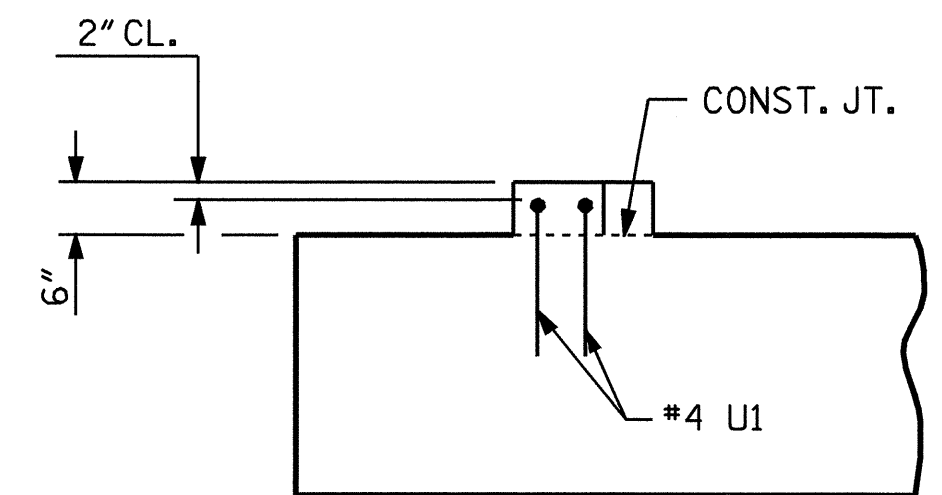
THE CONTRACTOR SHALL PROVIDE FOR INSTALLATION OF THE 4" DIAMETER DRAIN PIPE THROUGH THE WING WALL AS REQUIRED FOR REINFORCED BRIDGE APPROACH FILLS, SEE THE ROADWAY PLANS. REINFORCING STEEL IN THE WING WALL MAY BE SHIFTED AS NECESSARY TO CLEAR THE DRAIN PIPE.



**PLAN**

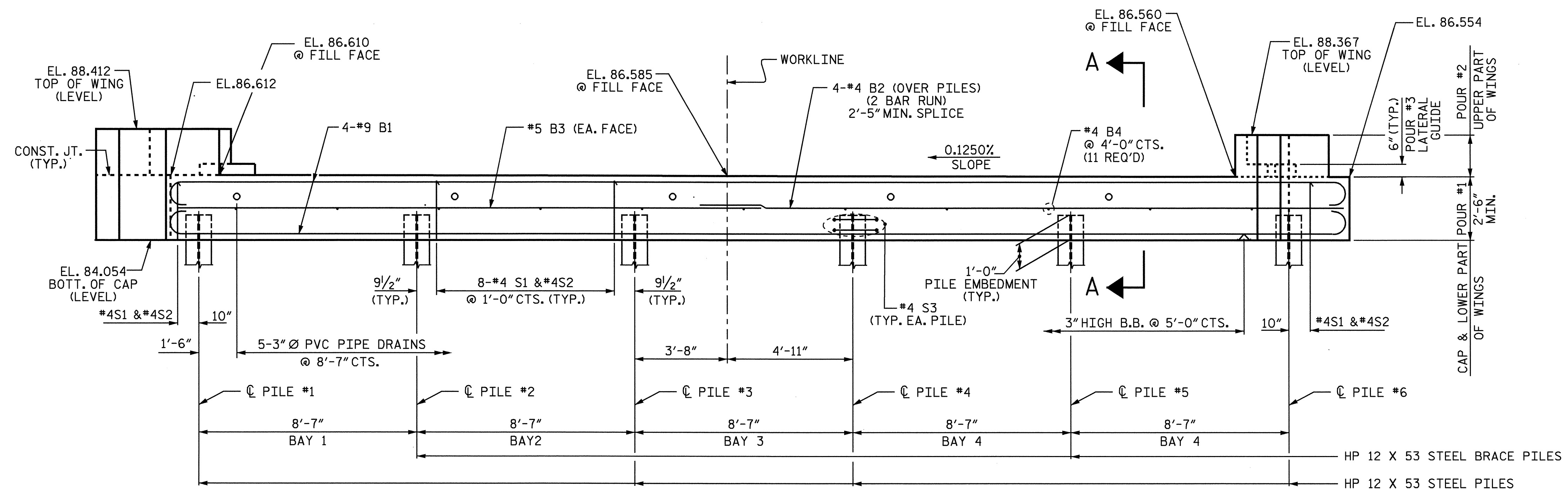


**PLAN**



**SECTION Z-Z**

**LATERAL GUIDE DETAILS**



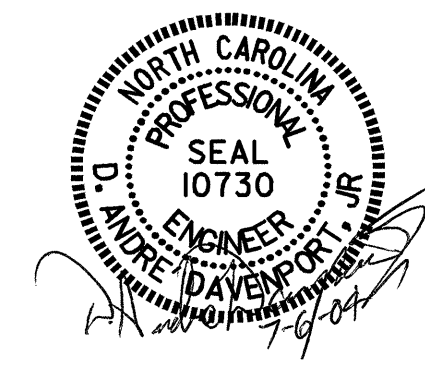
**ELEVATION**

PROJECT NO. B-4134  
 HALIFAX COUNTY  
 STATION: 14+23.00-L-  
 SHEET 1 OF 3

STATE OF NORTH CAROLINA  
 DEPARTMENT OF TRANSPORTATION  
 RALEIGH

**SUBSTRUCTURE  
 END BENT #1**

REVISIONS						SHEET NO.
NO.	BY:	DATE:	NO.	BY:	DATE:	S-9
1			3			TOTAL SHEETS 23
2			4			



DRAWN BY : M. G. SHAIKH DATE : 4/20/04  
 CHECKED BY : G. M. PATTERSON DATE : 4/28/04

06-JUL-2004 11:51  
 w:\aquac\134134\mshalkh\Microstation\B-4134\_sd.E\*.01.dgn  
 adavenport