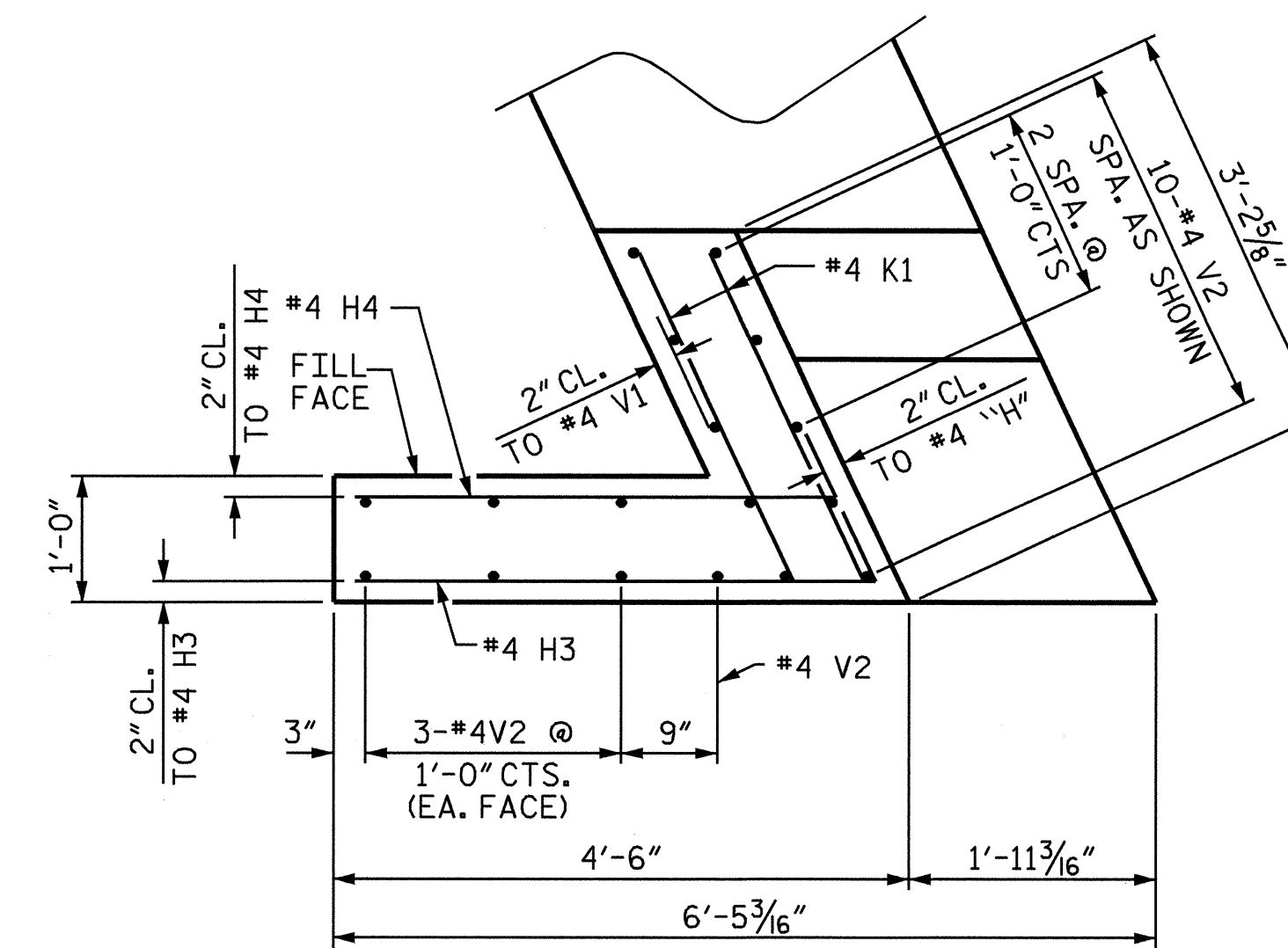
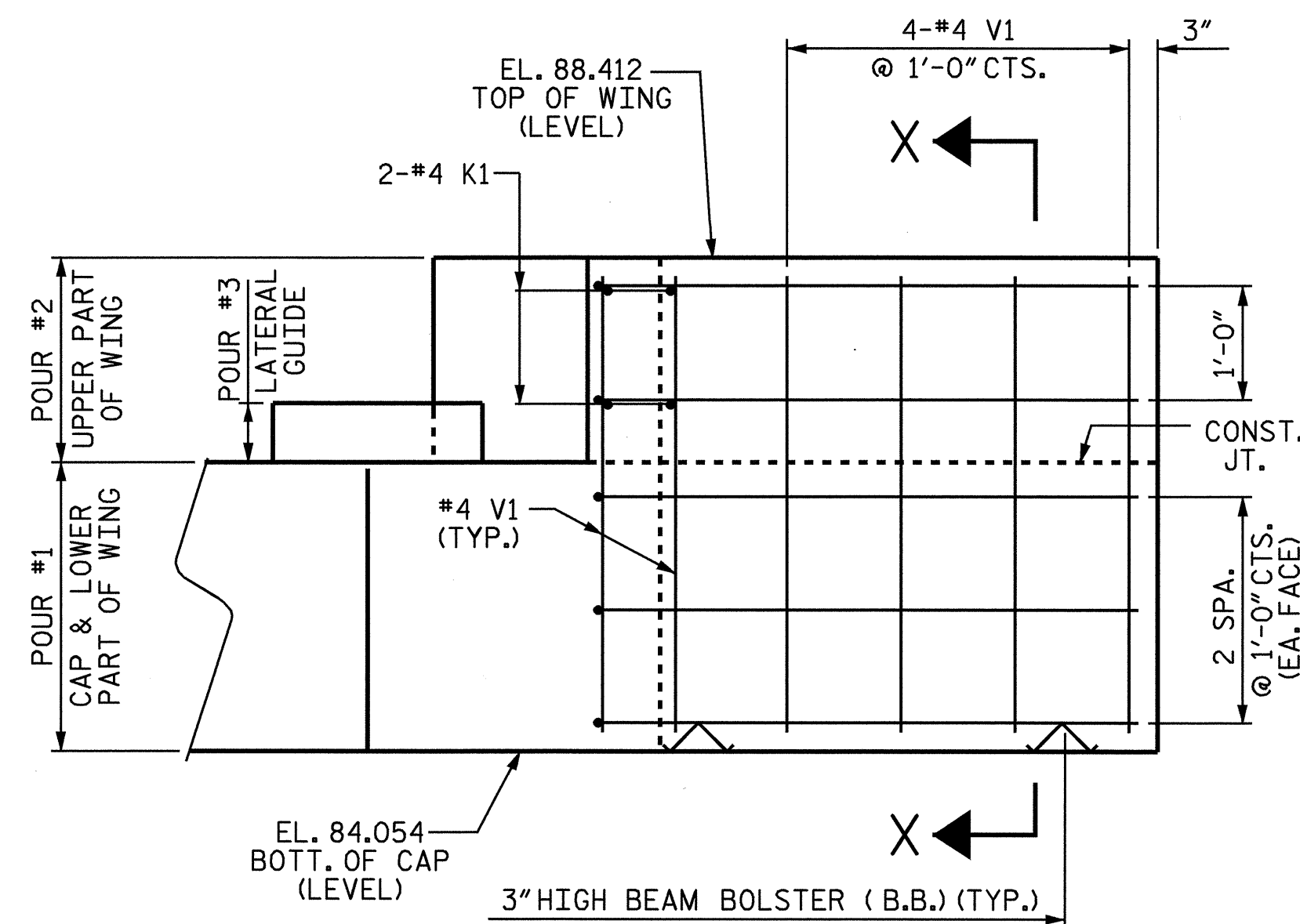


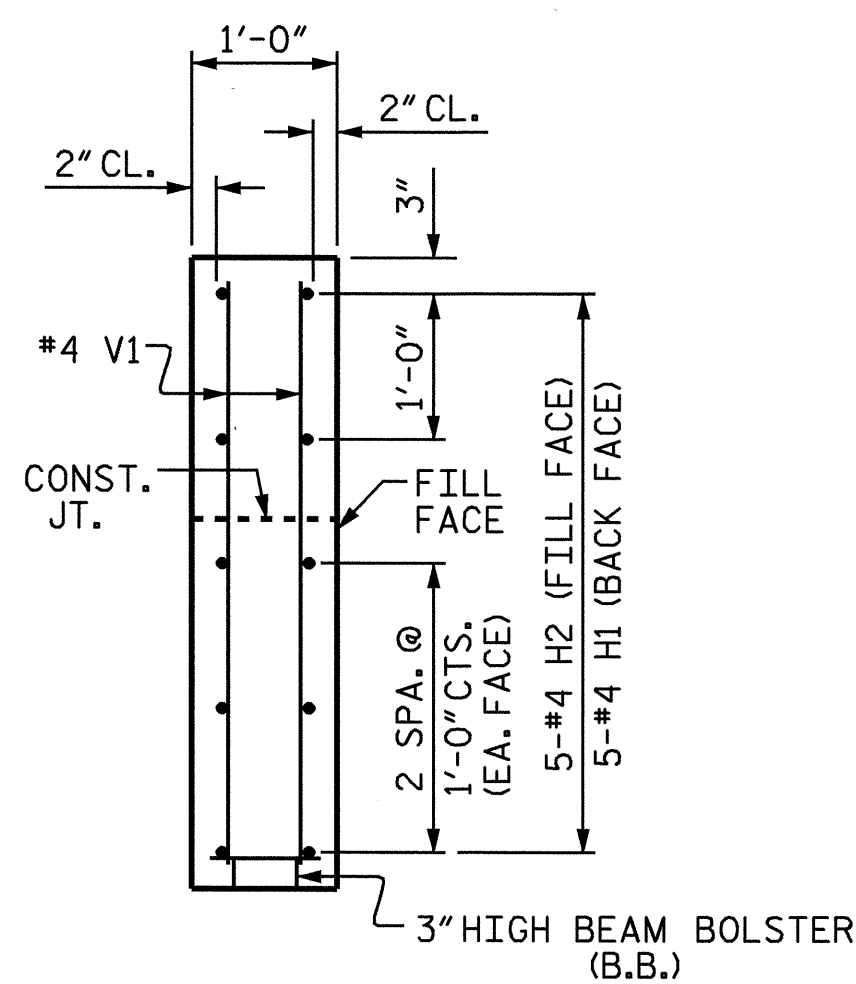
PLAN OF LEFT WING - W1



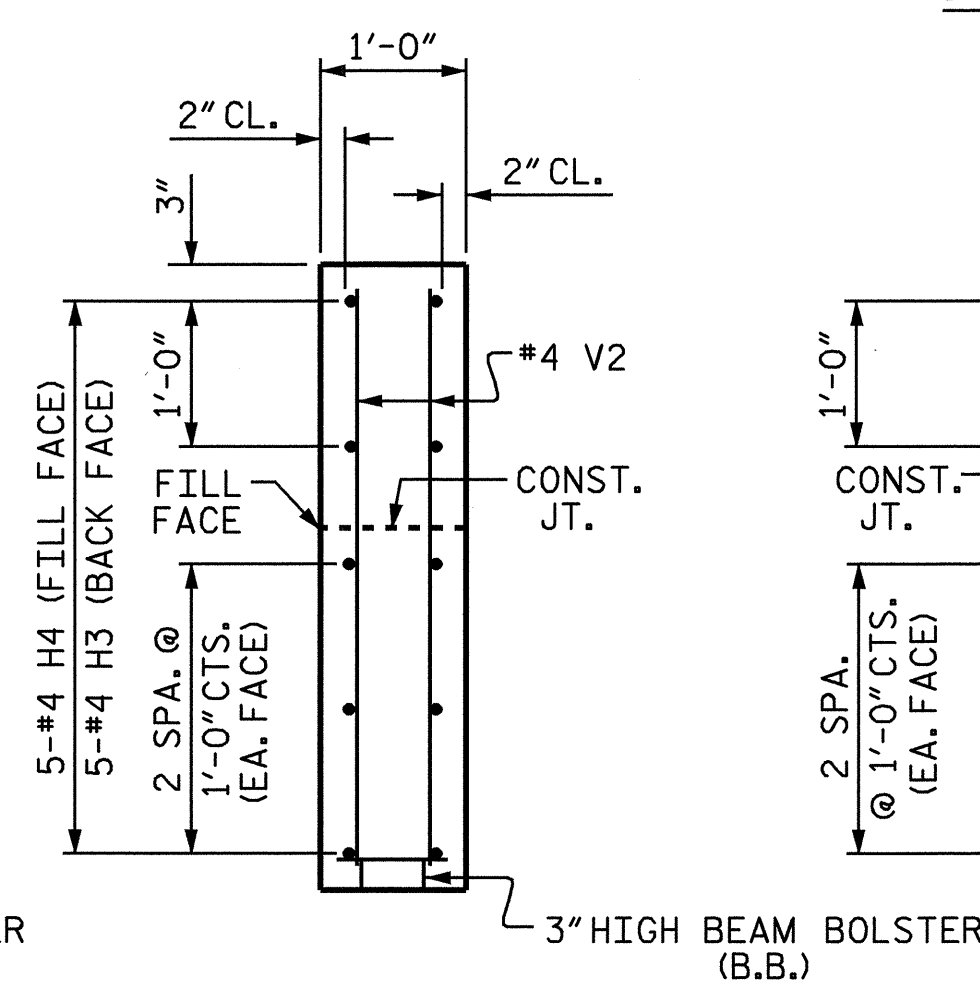
PLAN OF RIGHT WING - W2



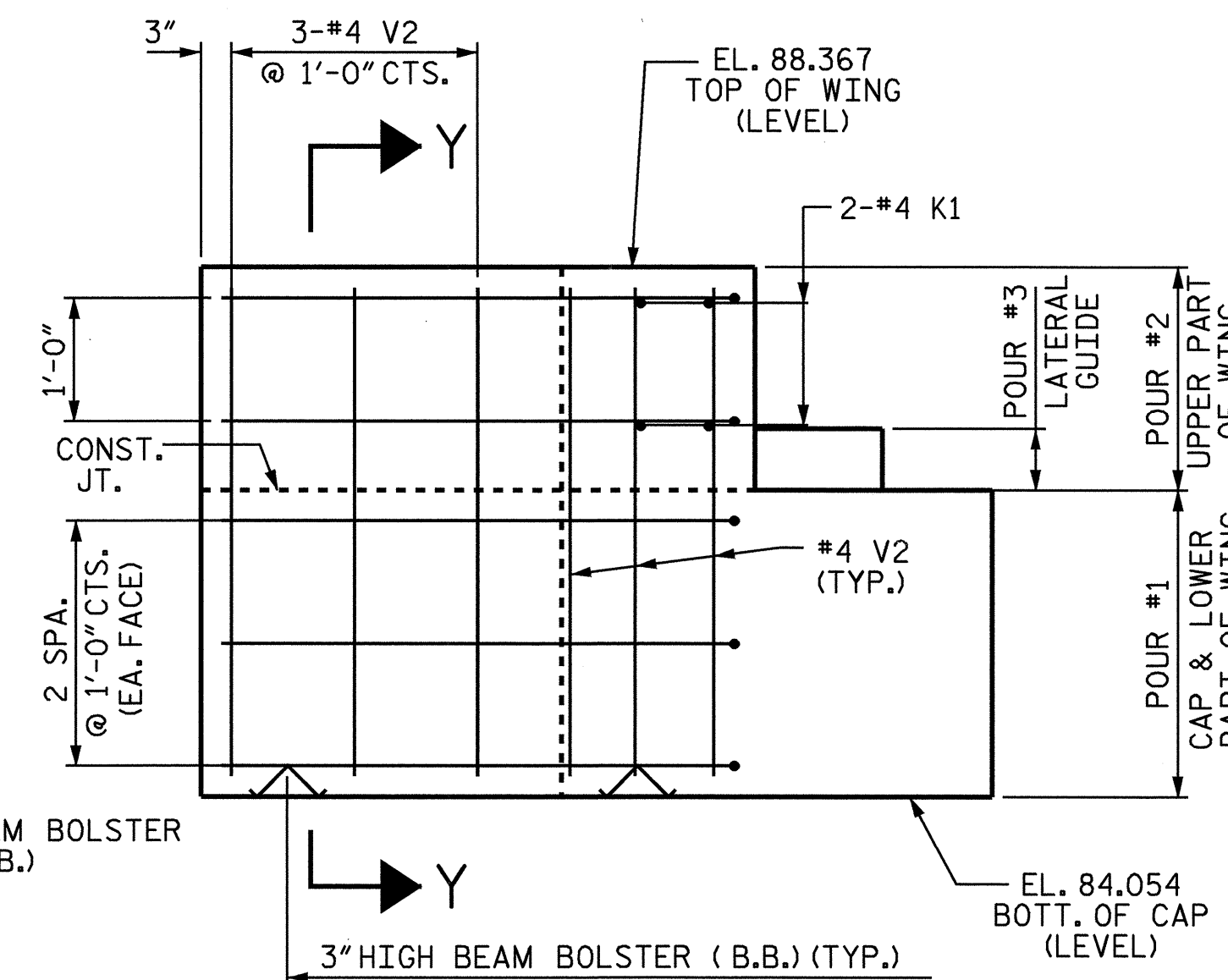
ELEVATION OF LEFT WING - W1



SECTION X-X



SECTION Y-Y



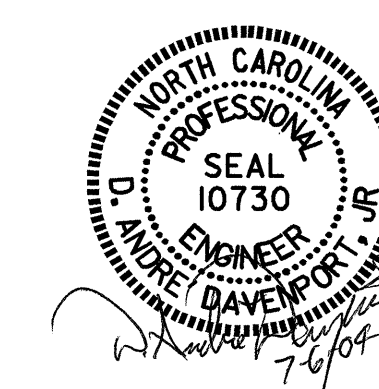
ELEVATION OF RIGHT WING - W2

PROJECT NO. B-4134
HALIFAX COUNTY
 STATION: 14+23.00 -L-

SHEET 2 OF 3

STATE OF NORTH CAROLINA
 DEPARTMENT OF TRANSPORTATION
 RALEIGH

SUBSTRUCTURE
 END BENT 1



DRAWN BY : M. G. SHAIKH DATE : 4/22/04
 CHECKED BY : G. M. PATTERSON DATE : 4/28/04

06-JUL-2004 11:52
 W:\sqad\B4134\mshalkh\Microstation\B-4134.sd.E*.01.dgn
 adavenport

REVISIONS					SHEET NO.
NO.	BY:	DATE:	NO.	BY:	DATE:
1			3		
2			4		

S-10
 TOTAL SHEETS
 23

STR #1