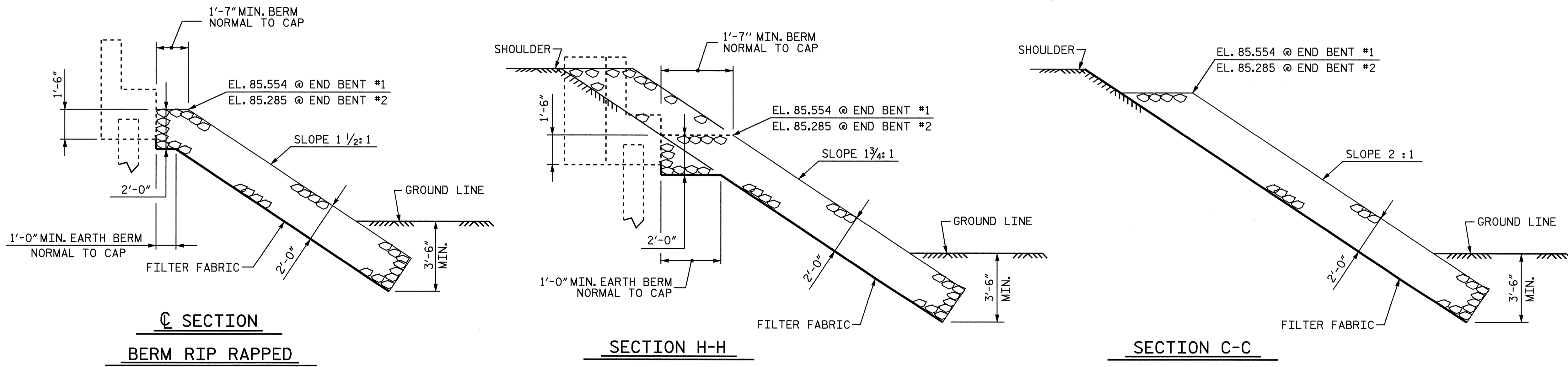


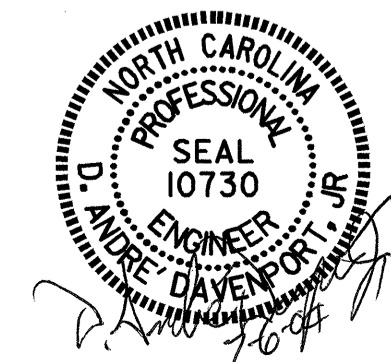
ESTIMATED QUANTITIES		
BRIDGE @ STA. 14+23.00-L-	PLAIN RIP RAP CLASS II (2'-0" THICK)	FILTER FABRIC FOR DRAINAGE
	TONS	SQUARE YARDS
END BENT 1	149	165
END BENT 2	141	156
TOTAL	290	321

THE COST OF THE FILTER FABRIC SHALL BE INCLUDED IN THE CONTRACT PRICE BID FOR PLAIN RIP RAP CLASS II.



PROJECT NO. B-4134  
HALIFAX COUNTY  
 STATION: 14+23.00 -L-

STATE OF NORTH CAROLINA  
 DEPARTMENT OF TRANSPORTATION  
 RALEIGH  
**RIP RAP DETAILS**



ASSEMBLED BY : M.PARSONS/DAD DATE : 11/15/02  
 CHECKED BY : D.A. DAVENPORT DATE : 5/04  
 DRAWN BY : REK 1/84 REV. 7/17/98 REK/RWW  
 CHECKED BY : RDU 1/84 REV. 8/16/99 RWW/LES  
 REV. 10/17/00 RWW/LES

REVISIONS						SHEET NO.
NO.	BY:	DATE:	NO.	BY:	DATE:	S-19
1			3			TOTAL SHEETS
2			4			23