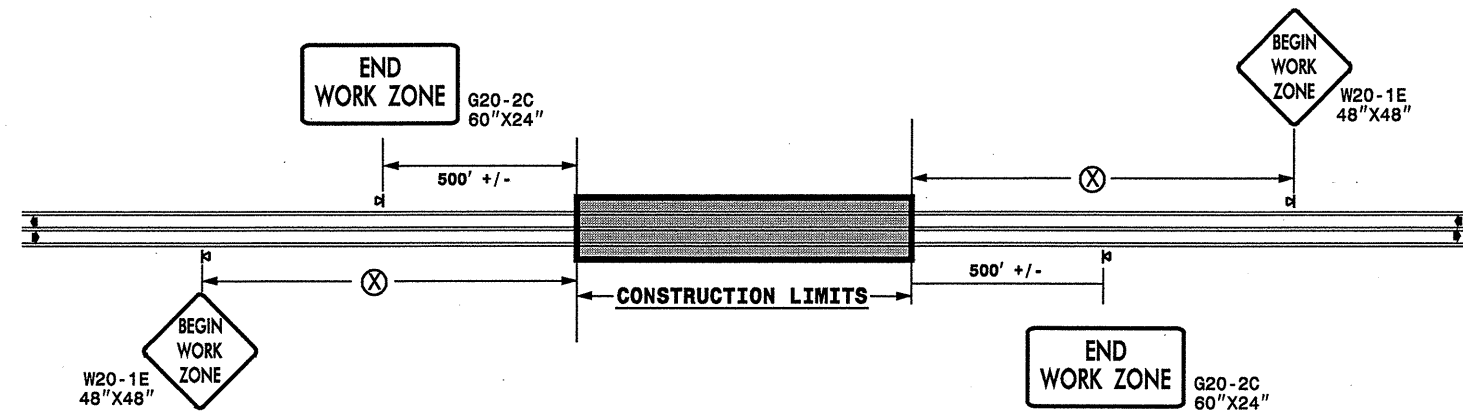


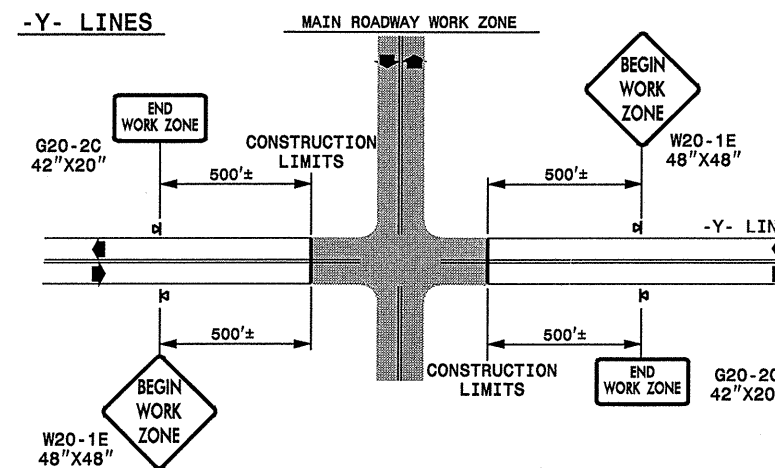
TWO-WAY UNDIVIDED WORK ZONE (L-LINES)



POSTED SPEED LIMIT (M.P.H.)	RECOMMENDED MINIMUM SIGN SPACING
≤ 35	300'
40 - 50	1150'
55	1800'

STATE OF NORTH CAROLINA
DEPT. OF TRANSPORTATION
DIVISION OF HIGHWAYS
RALEIGH, N.C.

ROADWAYS INTERSECTING ALONG 2 WAY UNDIVIDED WORK ZONE (Y-LINES)



GENERAL NOTES

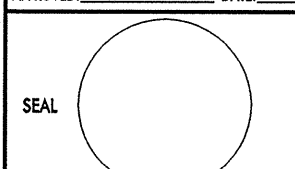

- DO NOT INSTALL ADVANCE WARNING SIGNS MORE THAN 3 DAYS PRIOR TO BEGINNING OF WORK.
- MOUNT SIGNS ON PORTABLE SIGN STANDS.
- ALL SIGN SPACING DIMENSIONS ARE APPROXIMATE. FIELD ADJUST AS NECESSARY OR AS DIRECTED.

LEGEND

- ⊞ PORTABLE SIGN
- ◀ DIRECTION OF TRAFFIC FLOW

DETAIL DRAWING FOR
TWO-WAY UNDIVIDED
WORK ZONE WARNING SIGNS

SHEET 1 OF 1

APPROVED: _____	DATE: _____	DETAIL DRAWING FOR TWO-WAY UNDIVIDED WORK ZONE SIGNS	
			
SCALE: NONE	DATE: 09-06-2001		REVISIONS
DWG. BY: MMM	DESIGN BY: MMM		
REVIEWED BY:			