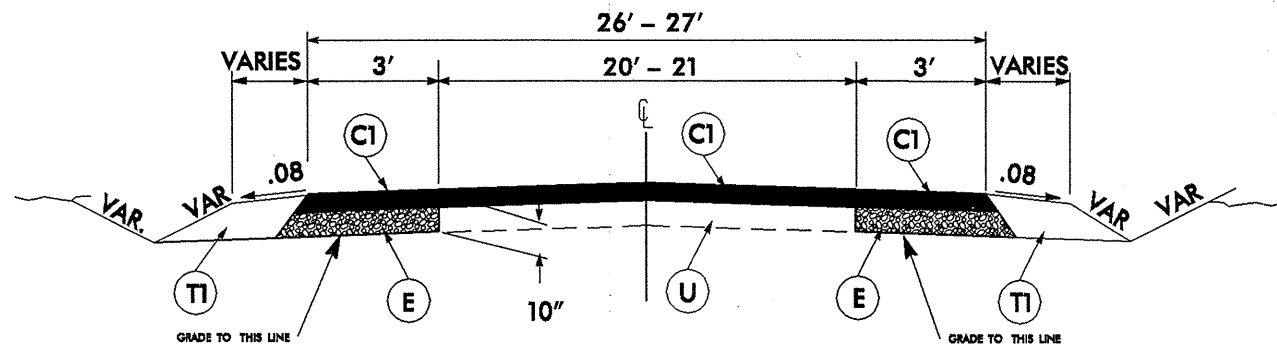


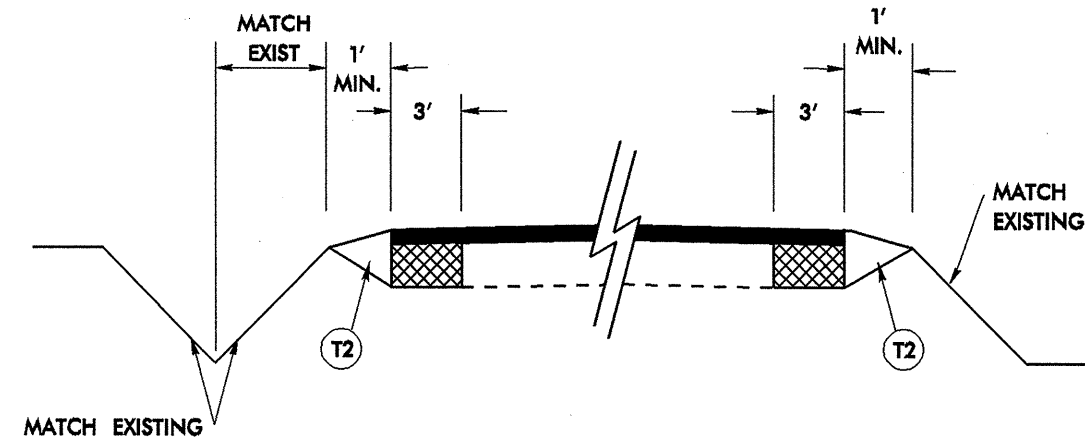
NOTE: STA 0+00 IS AT THE EDGE OF PAVEMENT OF SR 2746 (FRIEDEN CHURCH RD.) AND SR 2755 (CARMON RD.)

STATE	PROJECT NO.	SHEET NO.	TOTAL SHEETS
N.C.	39280	5	6

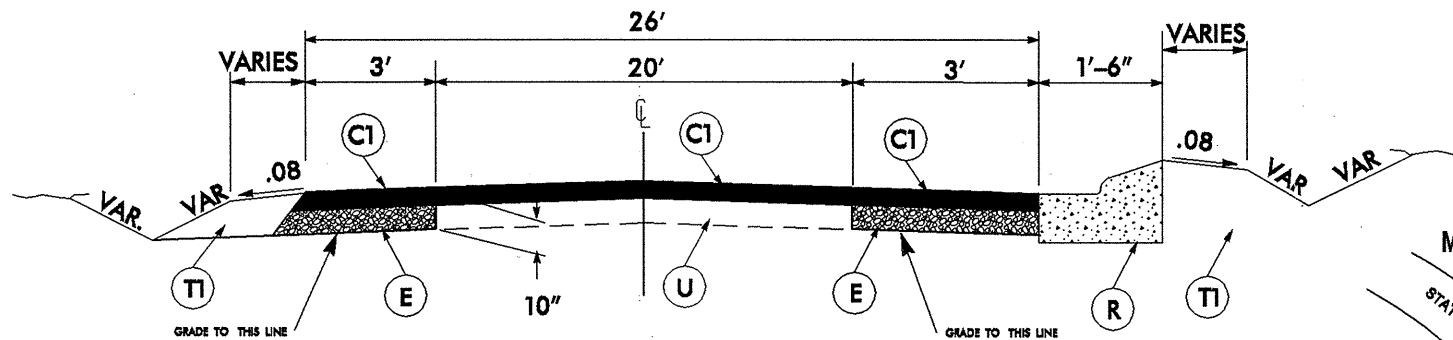


STA 0+00 TO APPROX STA 8+00*
APPROX STA 10+00* TO STA 278+70
(See NOTE on typical sections No. 2, 3)

TYPICAL SECTION NO. 1

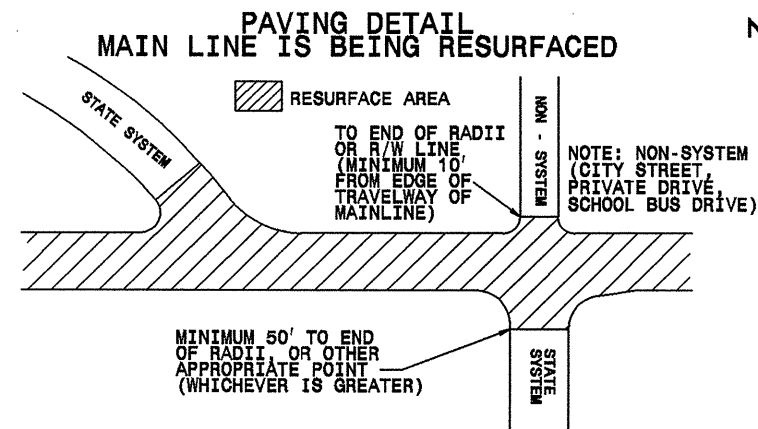


SHOULDER CONSTRUCTION TYPICAL

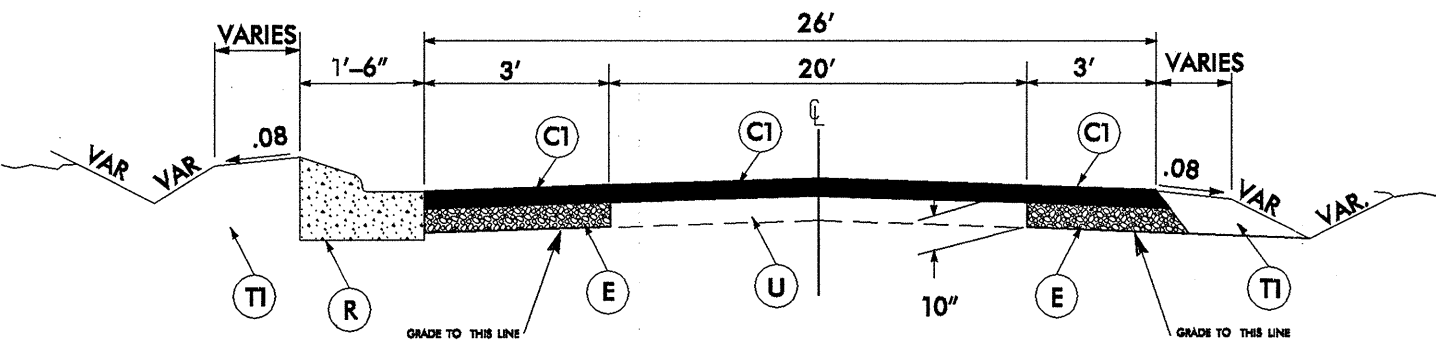
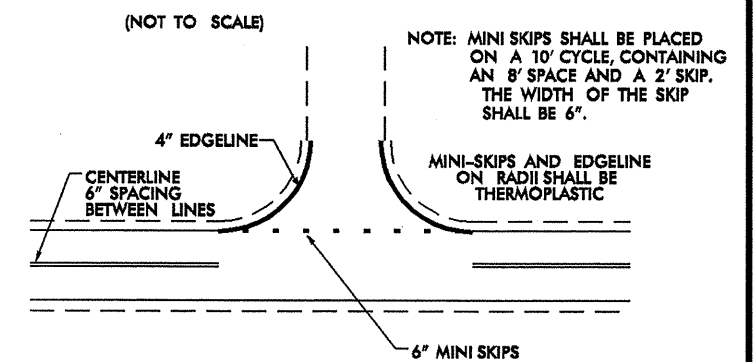


NOTE: Curb & Gutter start 15' from center of track and extend 50'

TYPICAL SECTION NO. 2



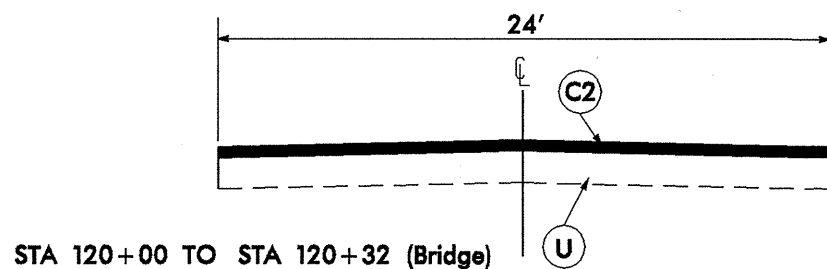
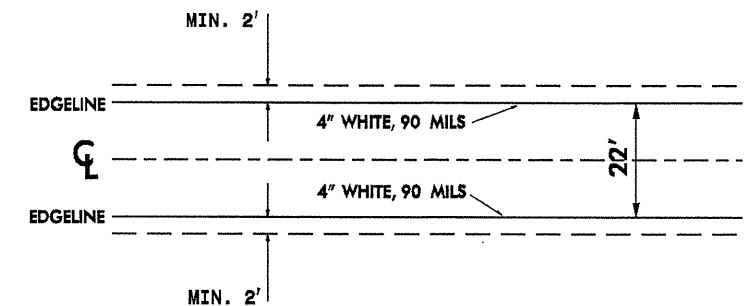
STRIPING DETAIL 1
NON-SIGNALIZED/NON-CURB & GUTTER INTERSECTIONS
(NOT TO SCALE)



NOTE: Curb & Gutter start 15' from center of track and extend 75'

TYPICAL SECTION NO. 3

STRIPING DETAIL 2
GENERAL STRIPING DETAIL FOR ENTIRE PROJECT



TYPICAL SECTION NO. 4

PAVEMENT SCHEDULE

C1	PROP. APPROX. 3" ASPHALT CONCRETE SURFACE COURSE, TYPE S9.5B, AT AN AVERAGE RATE OF 168 LBS. PER SQ. YD. IN EACH OF TWO LAYERS	R	1'-6" CONCRETE CURB & GUTTER
C2	PROP. APPROX. 1.5" ASPHALT CONCRETE SURFACE COURSE, TYPE S9.5B, AT AN AVERAGE RATE OF 168 LBS. PER SQ. YD.	T1	EARTH MATERIAL.
E	PROP. APPROX. 7" ASPHALT CONCRETE BASE COURSE, TYPE B25.0B, AT AN AVERAGE RATE OF 399 LBS. PER SQ. YD. IN EACH OF TWO LAYERS.	T2	SHOULDER CONSTRUCTION.
		U	EXISTING PAVEMENT.

5/28/99
20-SEP-2004 07:37
1E:\Nashville\Local\5-1\Temp\carmon-typical1.dgn