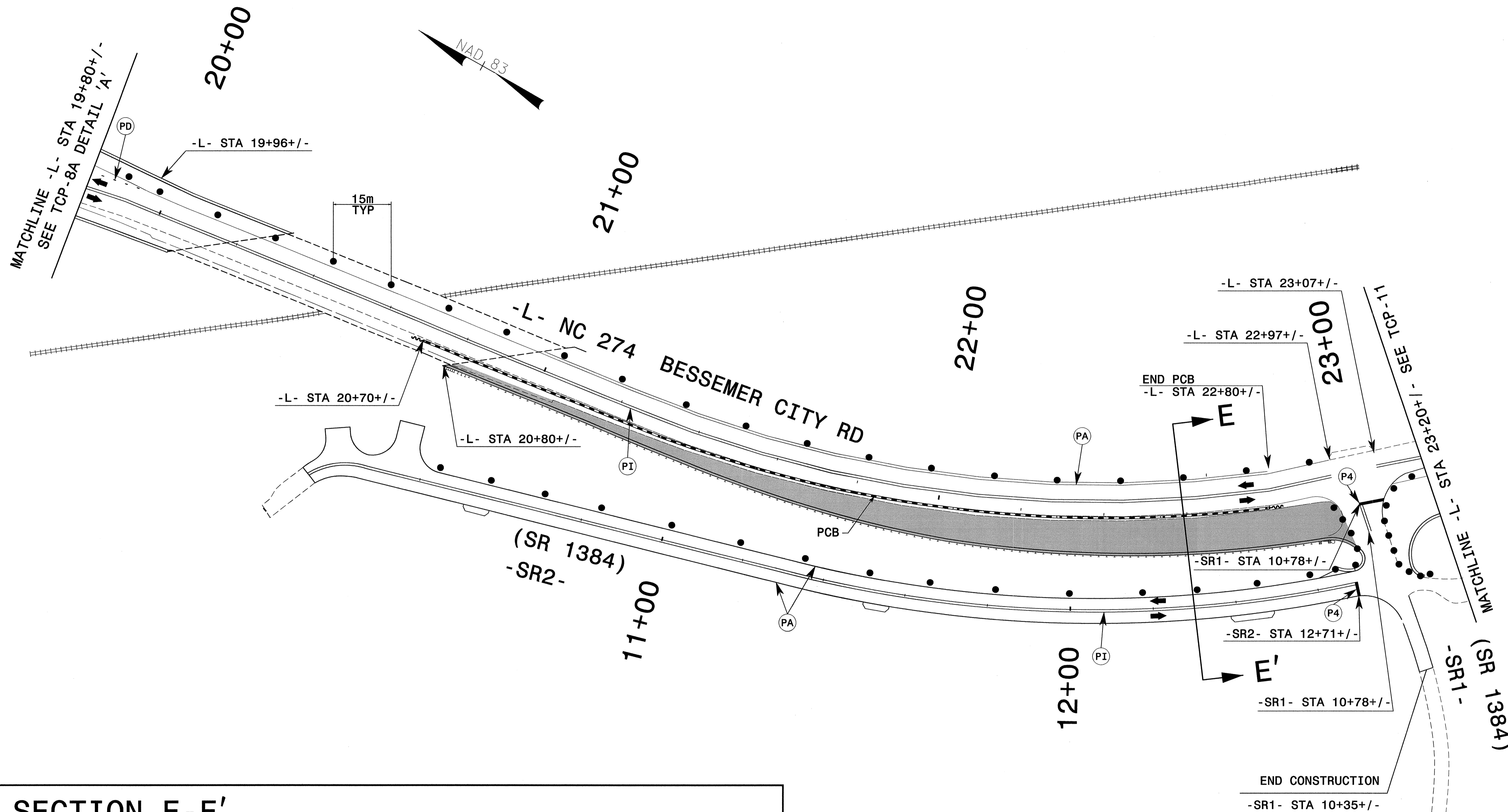
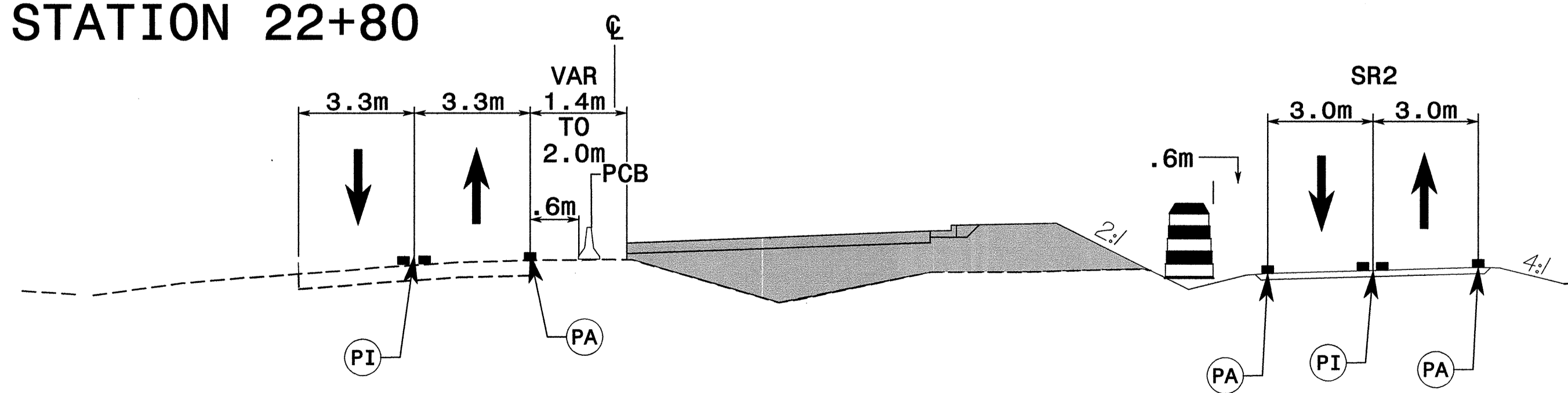




PROJ. REFERENCE NO.	SHEET NO.
U-2408	TCP-10



SECTION E-E'
STATION 22+80



SEPI ENGINEERING GROUP
2300 Rexwoods Drive
Suite 370
Raleigh, NC 27607
Tel: 919-789-9977 Fax: 919-9591

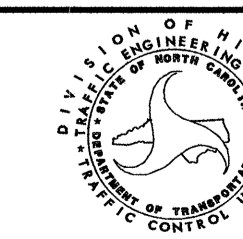
APPROVED: _____ DATE: _____

SEAL

7-14-04

PHASE I

SCALE: NONE
DATE: 7-04
DWG. BY: CEK
DESIGN BY: RCD
REVIEWED BY: RLW



NO.	REVISIONS

\$\$\$\$\$SYTIME\$\$\$\$\$
\$\$\$\$\$DCON\$\$\$\$\$
\$\$\$\$\$USERNAME\$\$\$\$\$