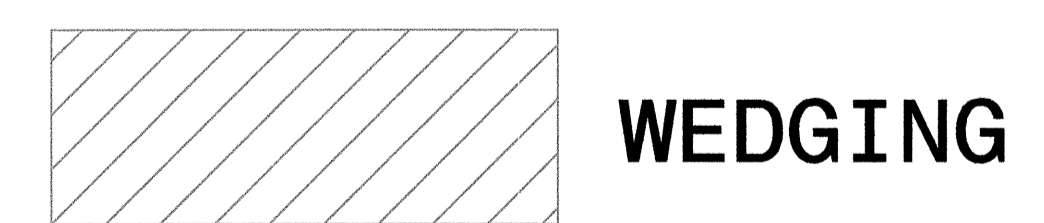
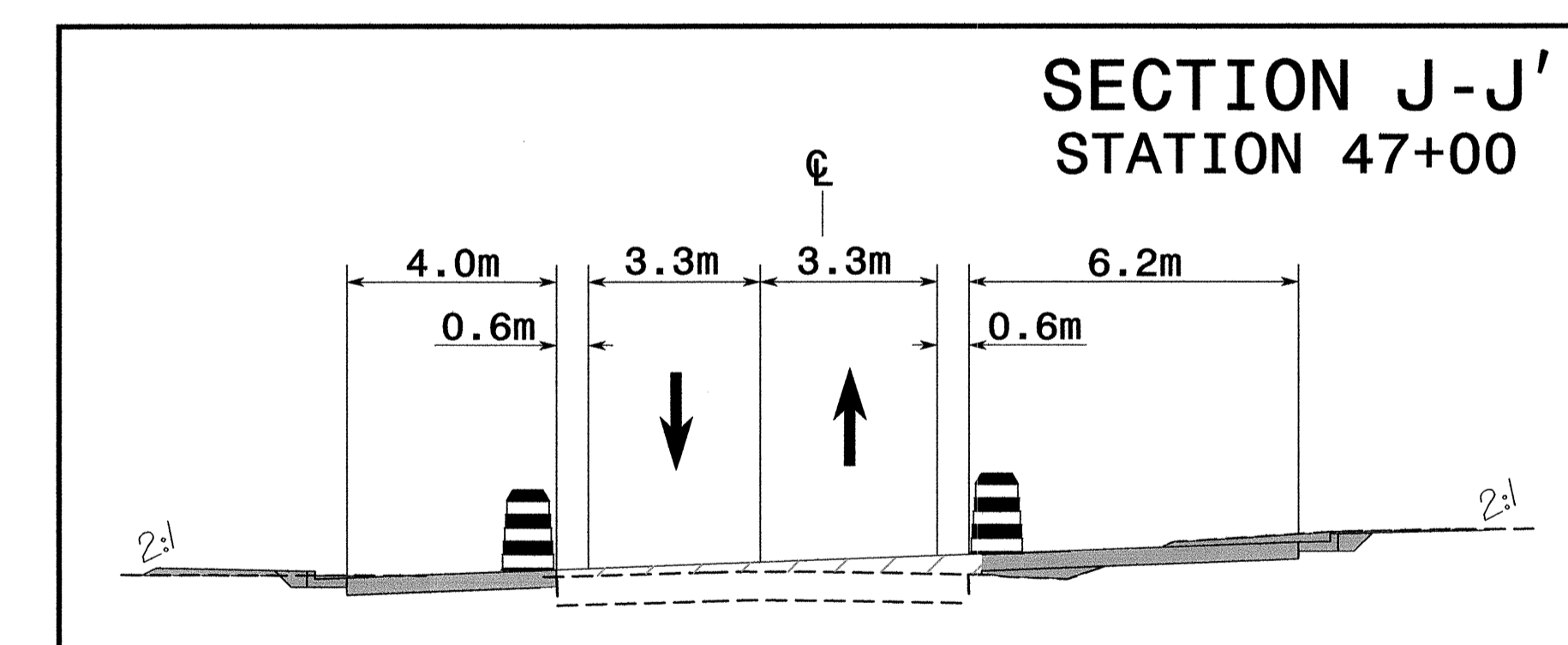
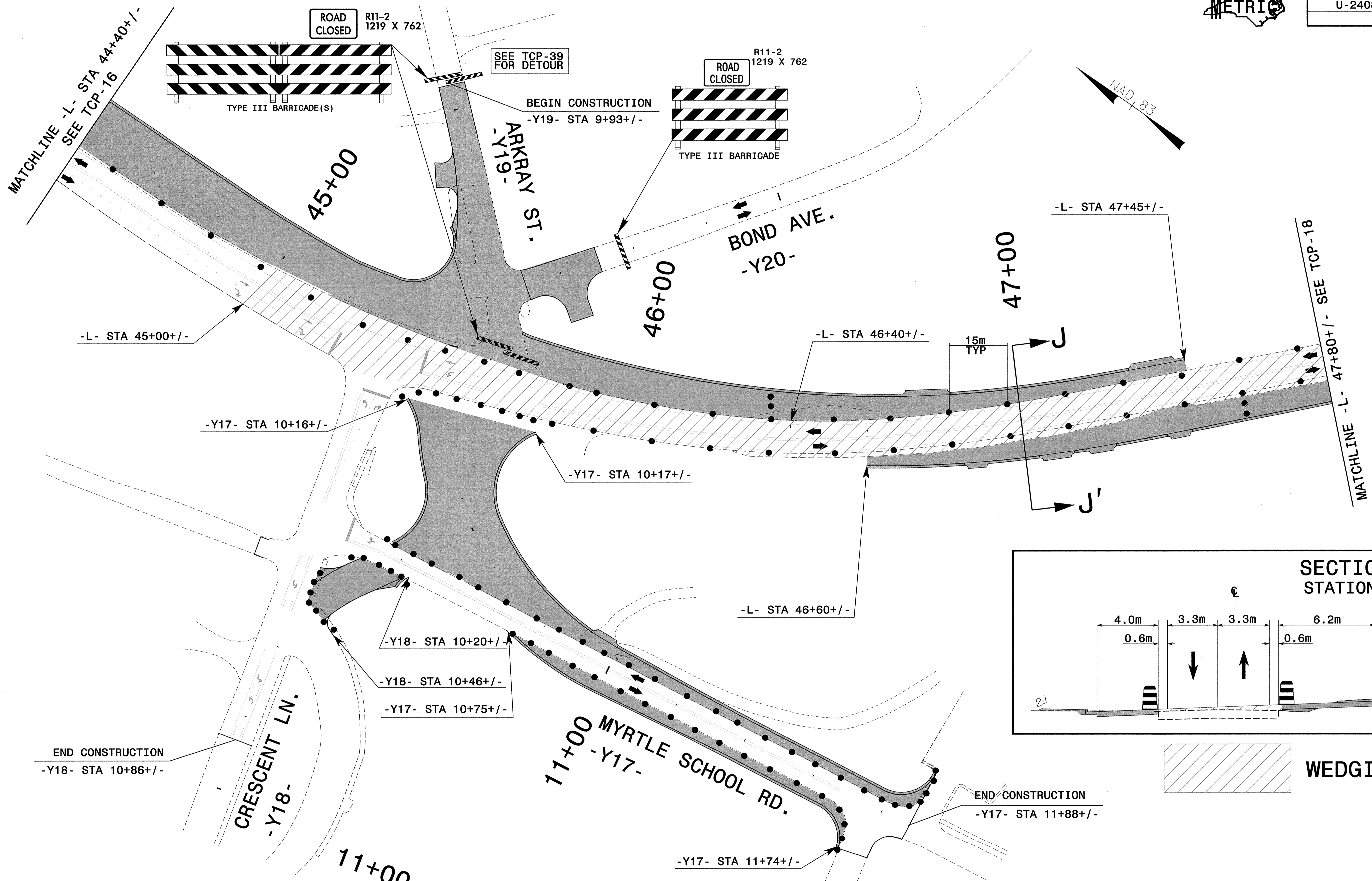
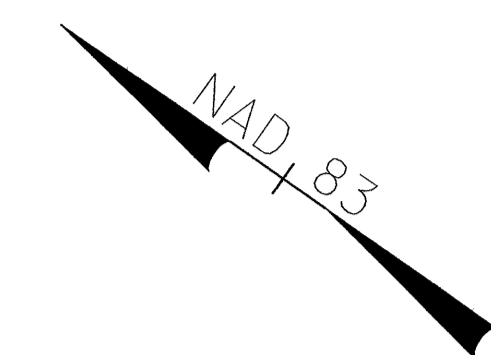




PROJ. REFERENCE NO.	SHEET NO.
U-2408	TCP-17



\$\$\$\$\$SYTIME\$\$\$\$\$
 \$\$\$SERVNAME\$\$\$\$\$

SEPI ENGINEERING GROUP
 2300 Rexwoods Drive
 Suite 370
 Raleigh, NC 27607
 Tel: 919-789-9977 Fax: 919-789-9591

APPROVED: _____ DATE: _____

SEAL

714-04

PHASE I		REVISIONS	
SCALE: NONE	DATE: 7-04		
DWG. BY: CEK	DESIGN BY: RCD		
REVIEWED BY: RLW			