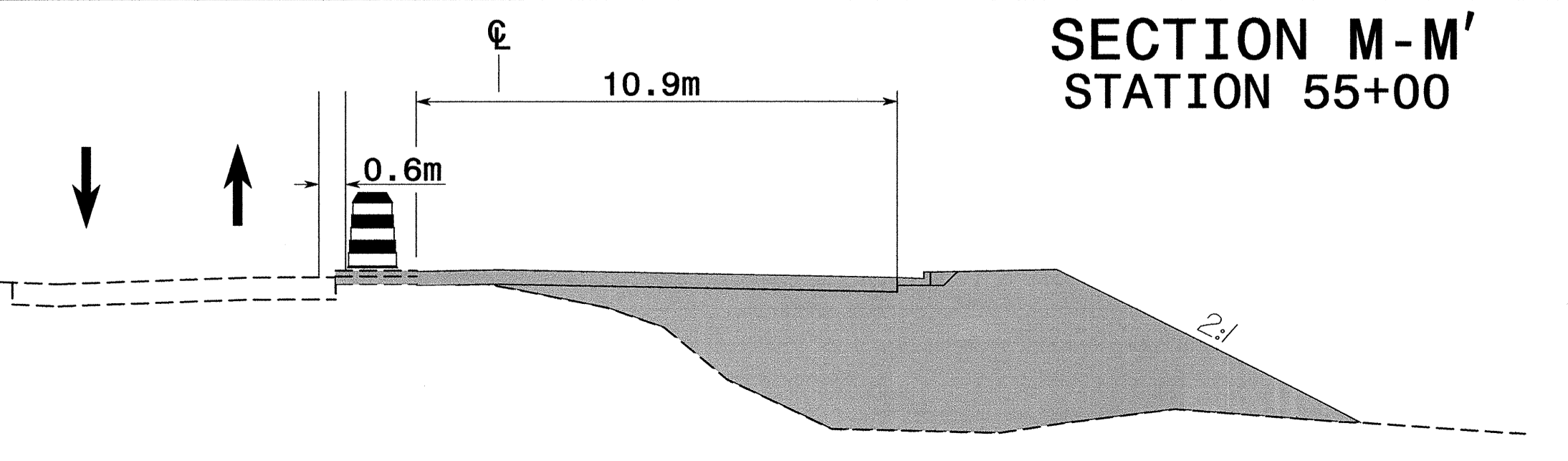
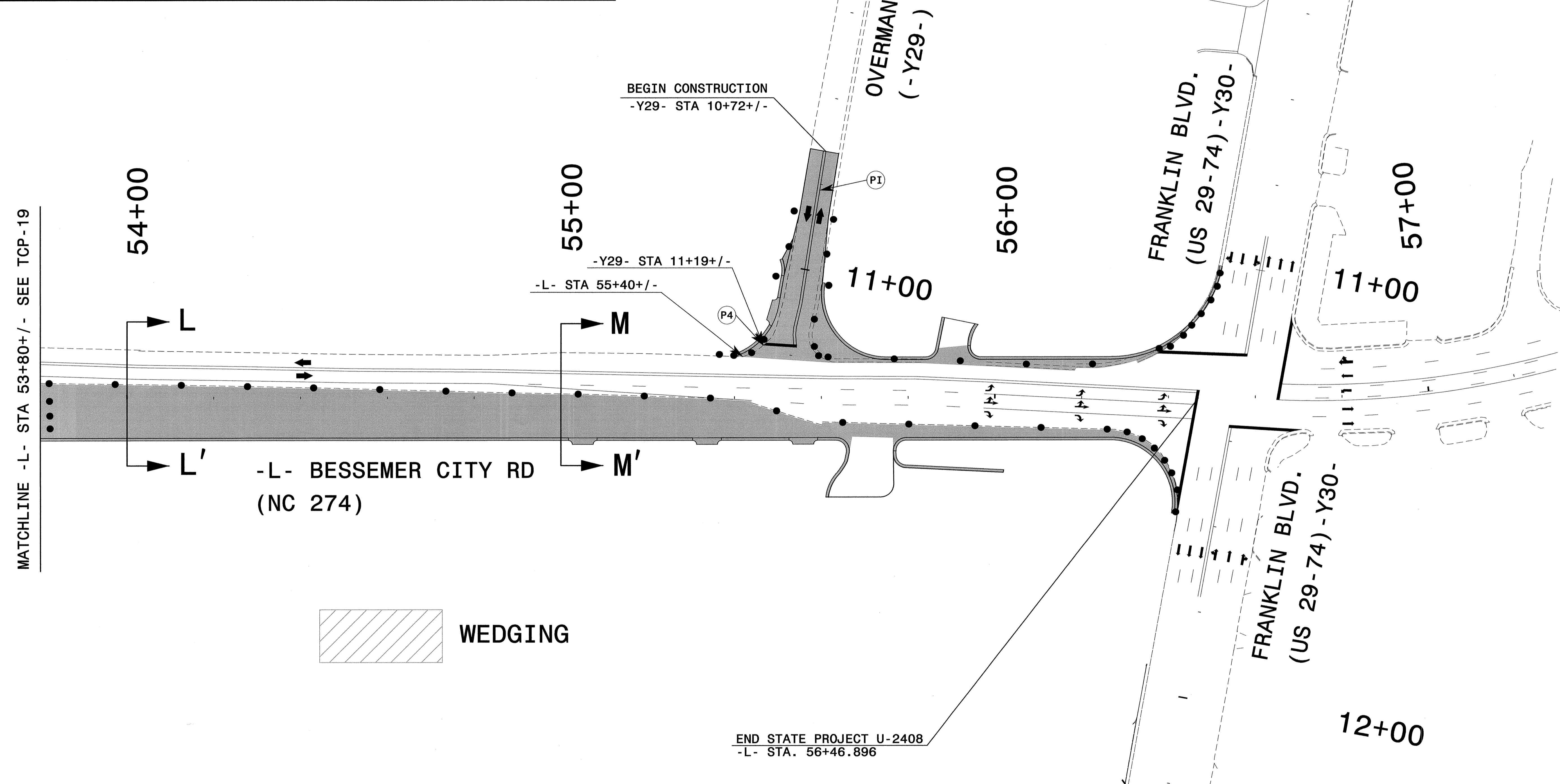
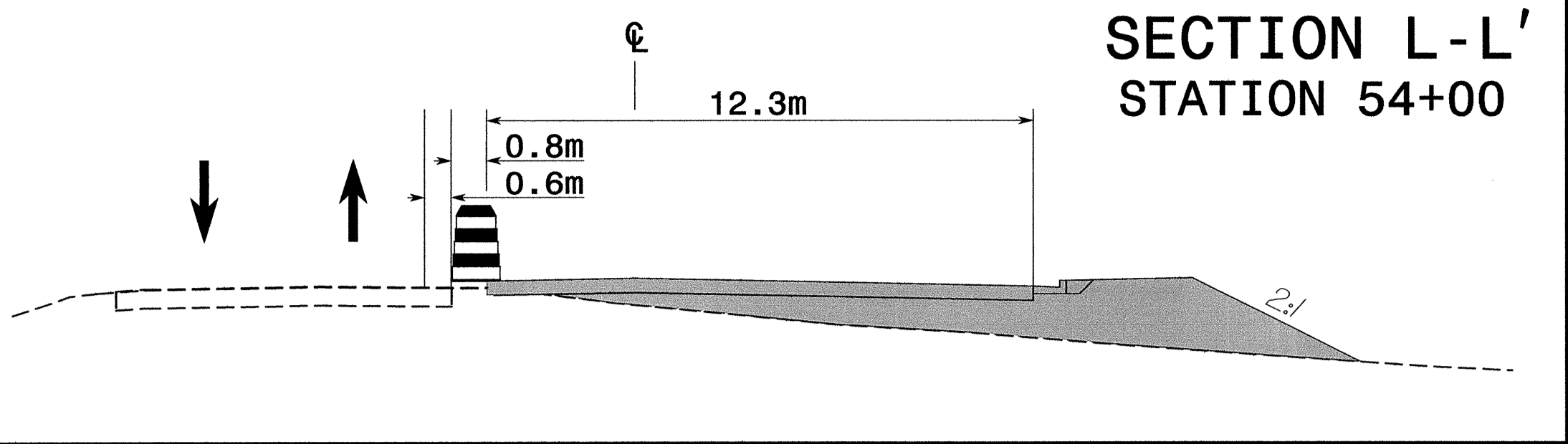




PROJ. REFERENCE NO.	SHEET NO.
U-2408	TCP-20



\$\$\$\$\$SYTIME\$\$\$\$\$
 \$\$\$DON\$\$\$\$\$
 \$\$\$USERNAME\$\$\$\$\$

SEPI ENGINEERING GROUP
 2300 Rexwoods Drive
 Suite 370
 Raleigh, NC 27607
 Tel:919-789-9977 Fax:789-9591

APPROVED: _____ DATE: _____

SEAL

PHASE I									
SCALE: NONE									
DATE: 7-04									
DESIGN BY: RCD									
REVIEWED BY: RLW									
<table border="1"> <thead> <tr> <th colspan="2">REVISIONS</th> </tr> </thead> <tbody> <tr> <td> </td> <td> </td> </tr> <tr> <td> </td> <td> </td> </tr> <tr> <td> </td> <td> </td> </tr> </tbody> </table>		REVISIONS							
REVISIONS									