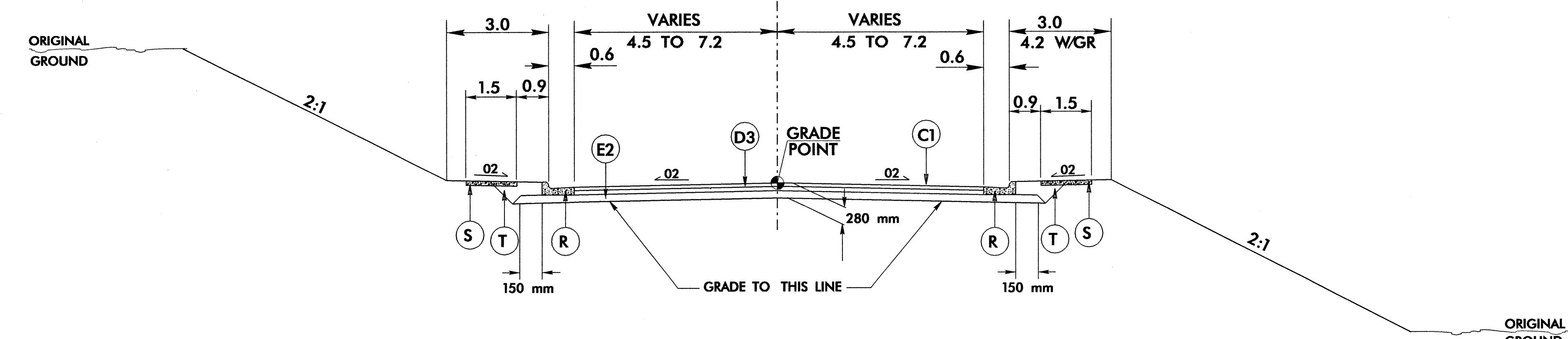


TYPICAL SECTION NO. 10

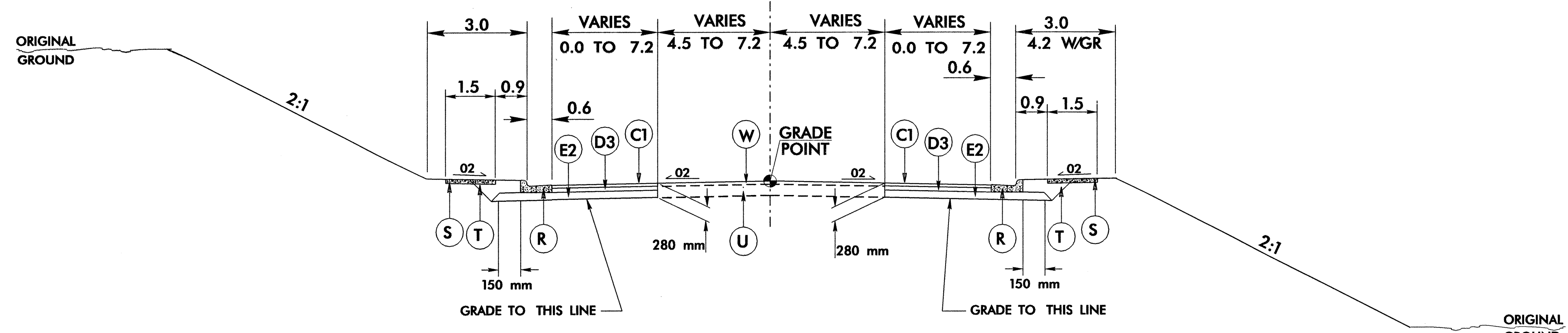
USE TYPICAL SECTION NO. 10 FOR THE FOLLOWING:
 -Y15- STA. 10+18.168 TO 10+47.000
 -Y15A- STA. 10+20.919 TO 10+35.000

NOTE:
 TRANSITION FROM EXISTING TO T. S. NO. 10 FOR THE FOLLOWING:
 -Y15A- STA. 10+10.919 TO 10+20.919



TYPICAL SECTION NO. 11

USE TYPICAL SECTION NO. 11 FOR THE FOLLOWING:
 -Y17- STA. 10+29.000 TO 10+61.000



TYPICAL SECTION NO. 11A

USE TYPICAL SECTION NO. 11A FOR THE FOLLOWING:
 -Y17- STA. 10+61.000 TO 11+88.000

C1	60mm S9.5B
D3	120mm I19.0B
E1	80mm B25.0B
E2	100mm B25.0B
R	750mm CURB & GUTTER
S	100mm SIDEWALK
T	EARTH MATERIAL
U	EXISTING PAVEMENT
W	WEDGING

REVISIONS

C:\ESD_2004_09_01...
 Projects\Projects\U2408\pro\U2408.tup
 9/21/04