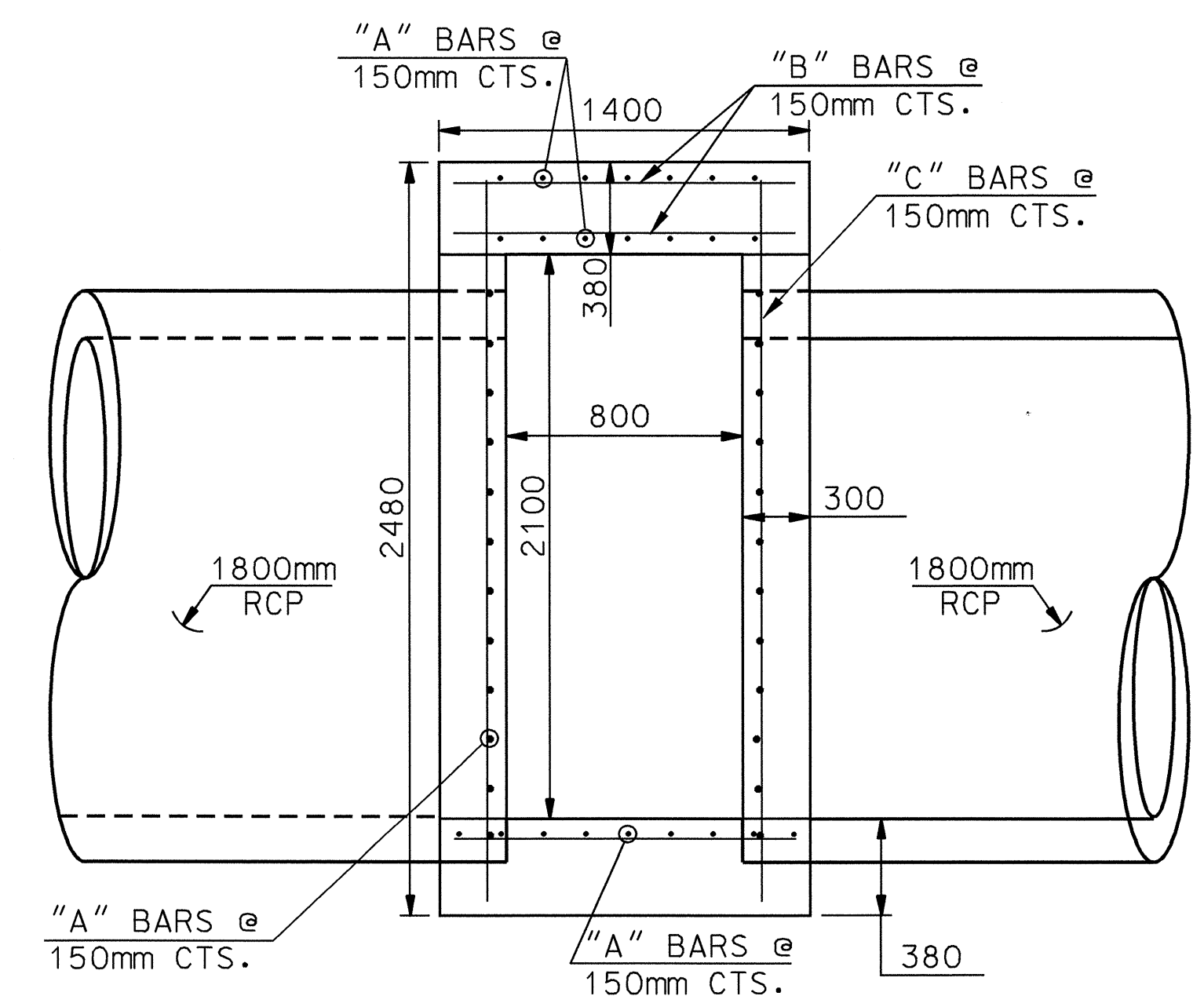
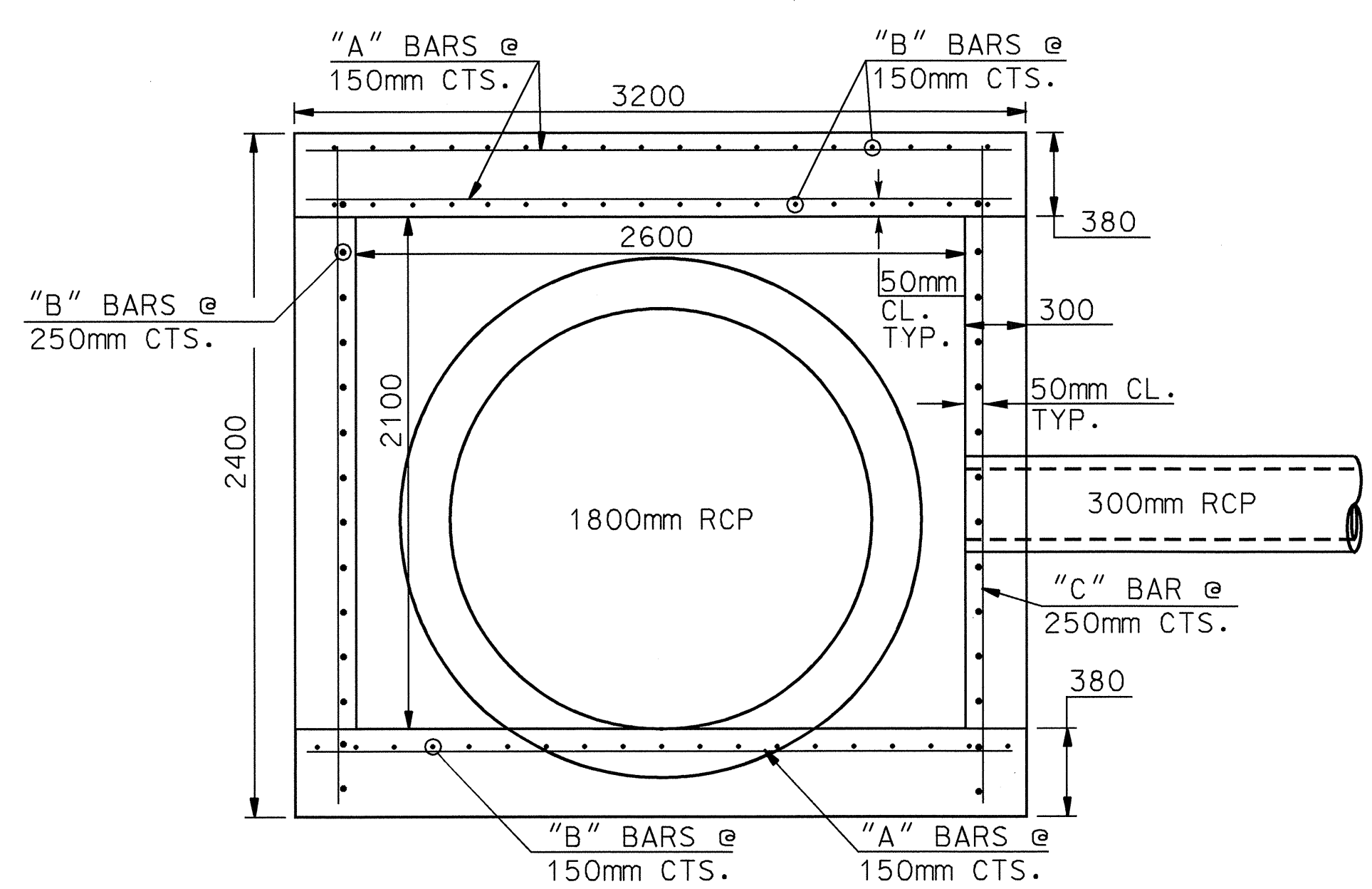


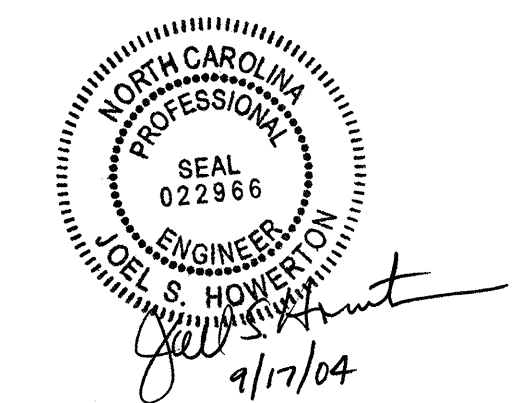
- NOTES:
1. USE CLASS "B" CONCRETE THROUGHOUT.
  2. CONSTRUCT CONCRETE BOX IN ACCORDANCE WITH SECTION 825 OF THE STANDARD SPECIFICATIONS AND MAY BE ADJUSTED TO FIT PIPE CONDITION.
  3. USE FORMS FOR CONSTRUCTION OF THE BOTTOM SLAB.
  4. ADJUST LENGTH OF STEEL BARS AS NEEDED TO COMPENSATE FOR PIPES.
  5. CONFORM REINFORCING STEEL TO ASTM A615, GRADE 400.
  6. CUT OR BEND STEEL BARS AS NEEDED TO PROVIDE 50mm CLEARANCE AROUND PIPES OR AS DIRECTED BY THE ENGINEER.
  7. IF A MANHOLE IS USED, REFER TO STANDARD 840.54.

BILL OF MATERIALS				
BAR	NO.	SIZE	LENGTH	WEIGHT
A	66	#16	3100	318
B	88	#16	1300	178
C	60	#16	2760	257
G	16	#16	900	22
TOTAL REINF. STEEL (kg)				775
TOTAL CONC. (cu. m.)				8.4
DEDUCTIONS FOR ONE PIPE				
1800mm RCP				1.167



SECTION A-A

SECTION B-B



**DESIGN SERVICES UNIT  
STANDARDS AND SPECIAL DESIGN**  
Office 919-250-4128 FAX 919-250-4119

**DETAIL OF SPECIAL  
JUNCTION BOX**

ORIGINAL BY: T.S. Speil DATE: Sept. 2004  
 MODIFIED BY: DATE:  
 CHECKED BY: DATE:  
 FILE SPEC.: ds174:\usr\details\metric\stand\jib1800.dgn

I7-SEP-2004 10:44  
 M:\Special Details\tspeil\metric\jib1800.dgn  
 tspeil AT 05:20:3655