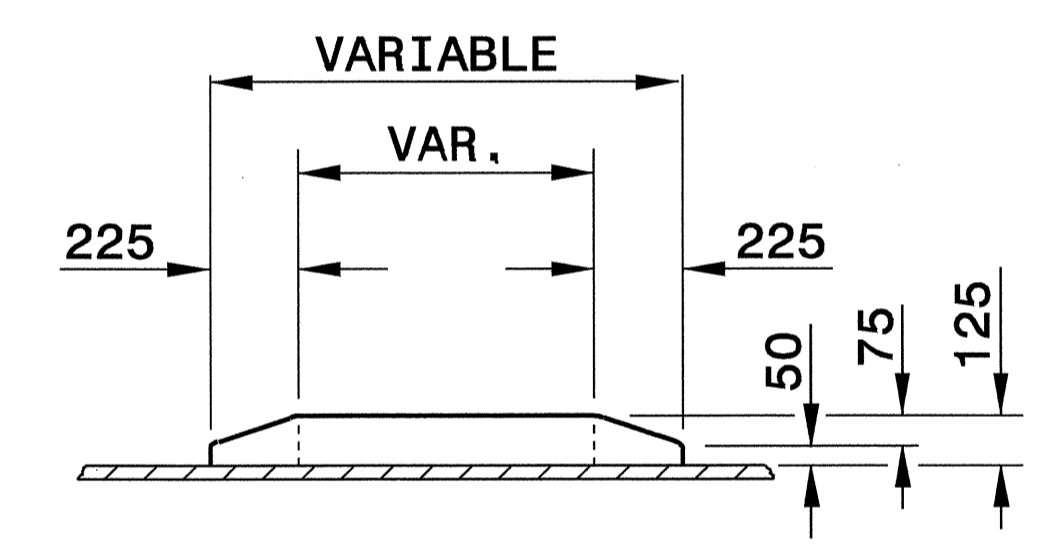
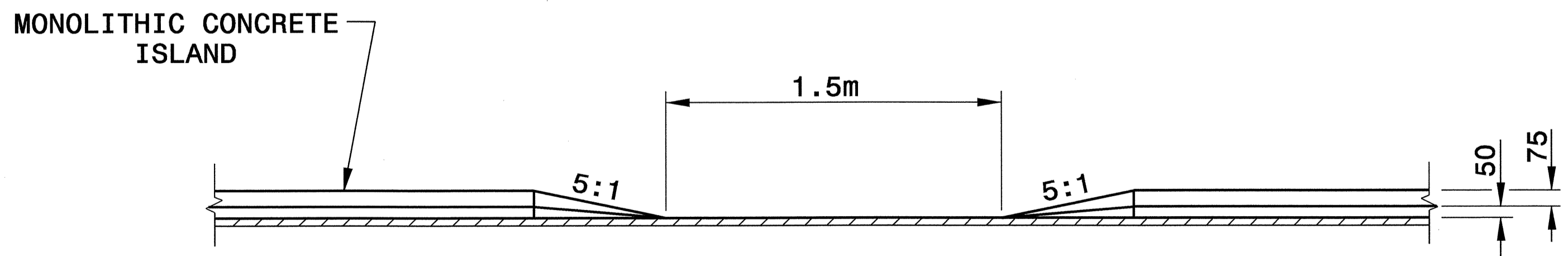


**ISOMETRIC VIEW**



**MONOLITHIC CONCRETE ISLAND  
REFER TO STD.852.01**



**ELEVATION**

**Note:**  
This drawing is dimensioned in millimeters unless otherwise depicted within the drawing.



<b>DESIGN SERVICES UNIT STANDARDS AND SPECIAL DESIGN</b>	
Office 919-250-4128	FAX 919-250-4119
<b>CROSSWALK/WHEELCHAIR RAMP THRU MONOLITHIC ISLAND</b>	
ORIGINAL BY: T. Spell	DATE: 2-5-02
MODIFIED BY: <i>Joe S. Howerton</i>	DATE: 9/22/04
CHECKED BY: <i>Joe S. Howerton</i>	DATE: 9/22/04
FILE SPEC.: g:\details\metric\island_wheelchair_ramp.dgn	

P:\SEP-2004\14403  
 MA Special Details\25260  
 -riscard - 09/21/2004  
 g:\details\metric\island\_wheelchair\_ramp.dgn