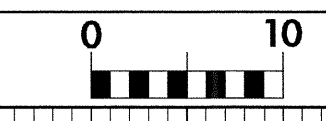
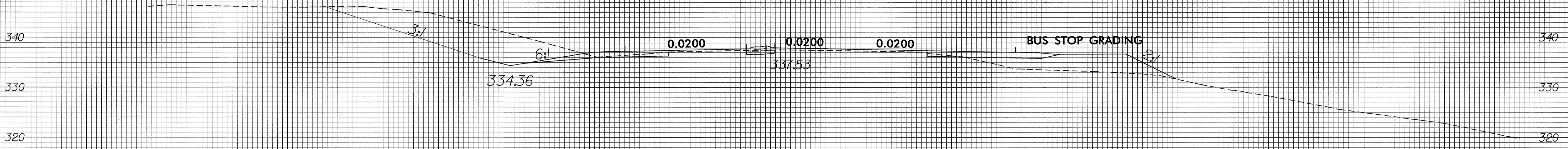


8/23/99

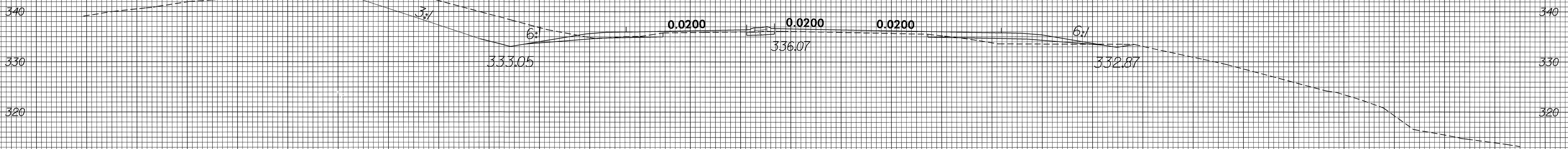


PROJ. REFERENCE NO.	SHEET NO.
R-2904	X-8

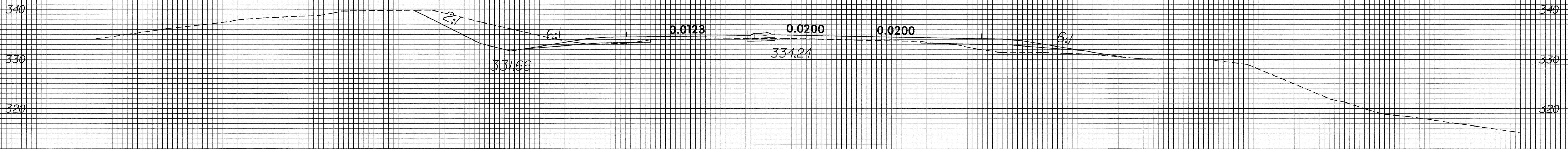
150 140 130 120 110 100 90 80 70 60 50 40 30 20 10 0 10 20 30 40 50 60 70 80 90 100 110 120 130 140 150



31+50.00



31+00.00



30+50.00

150 140 130 120 110 100 90 80 70 60 50 40 30 20 10 0 10 20 30 40 50 60 70 80 90 100 110 120 130 140 150

04-AUG-2004 08:24
T:\case\11\p1\gpr\RD212397
LUNCON AT RD212397