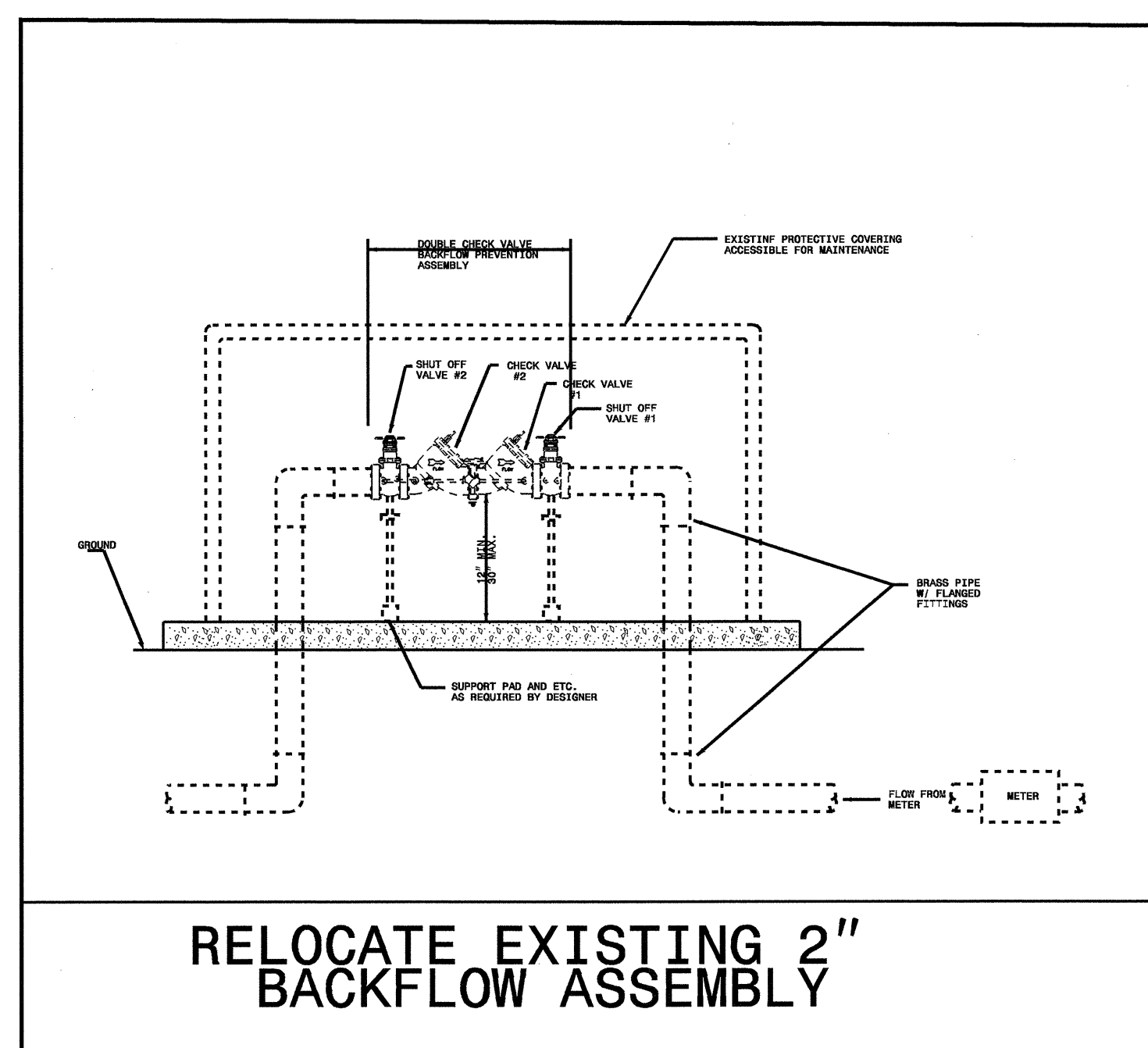
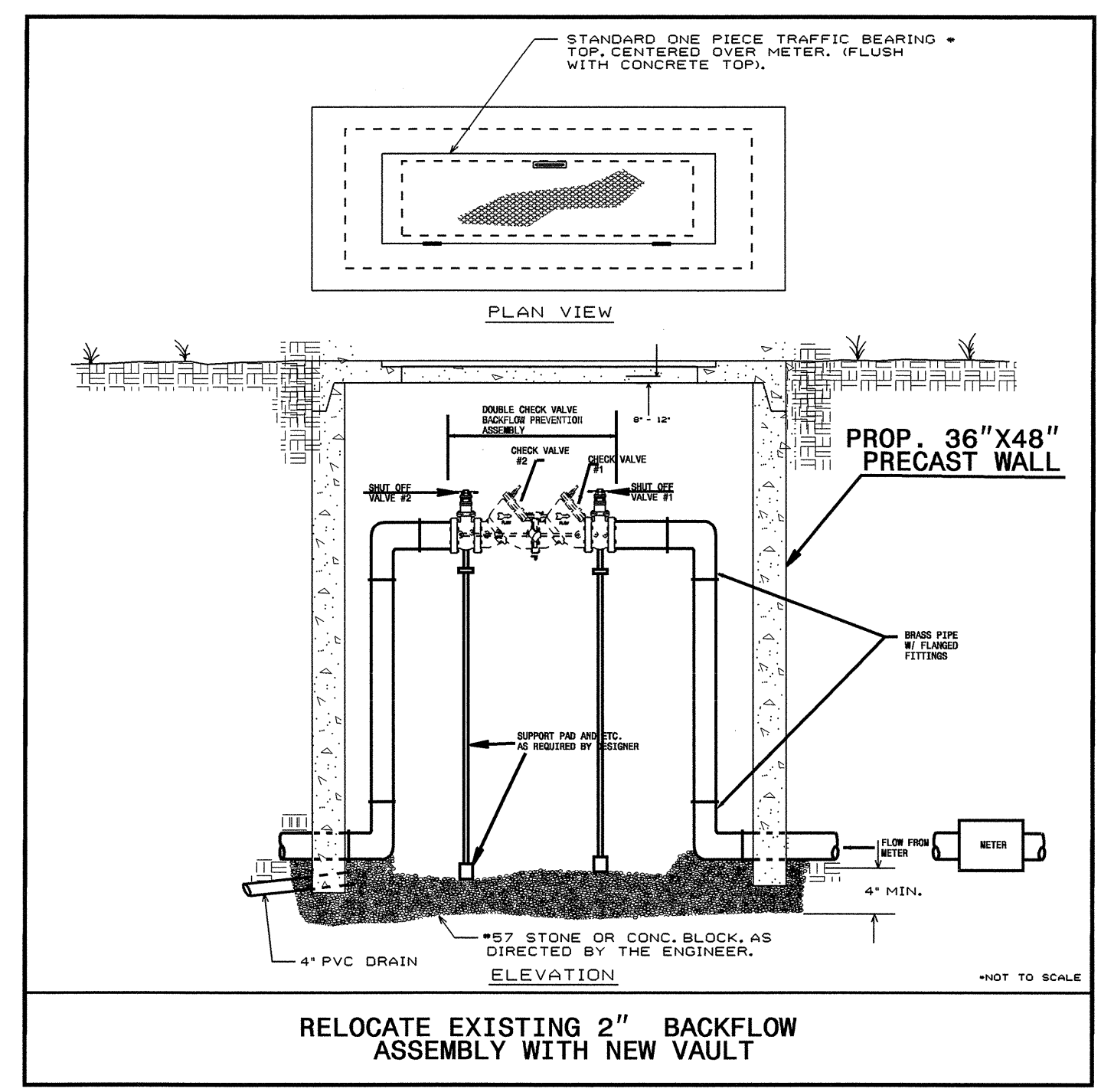


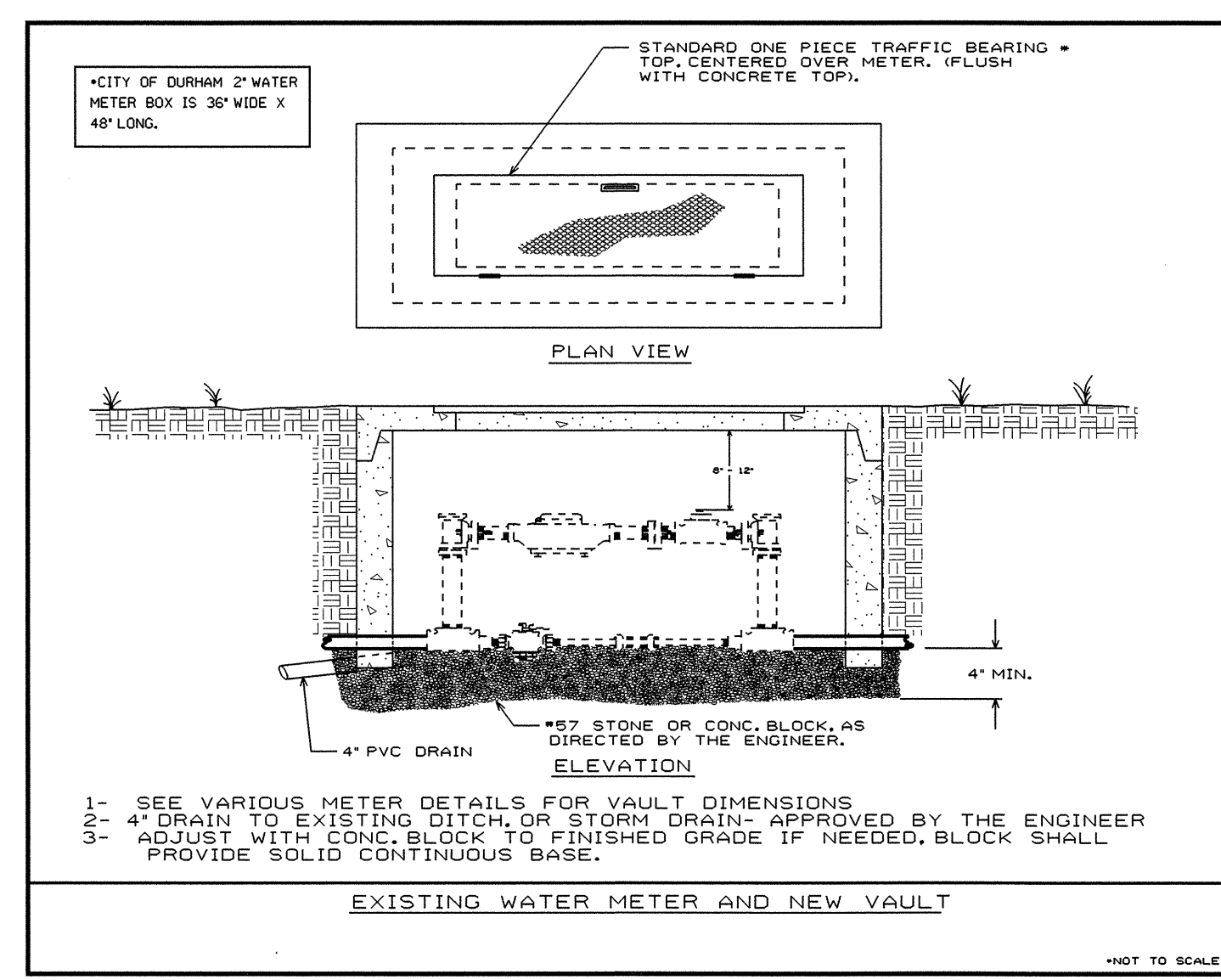
UTILITY CONSTRUCTION



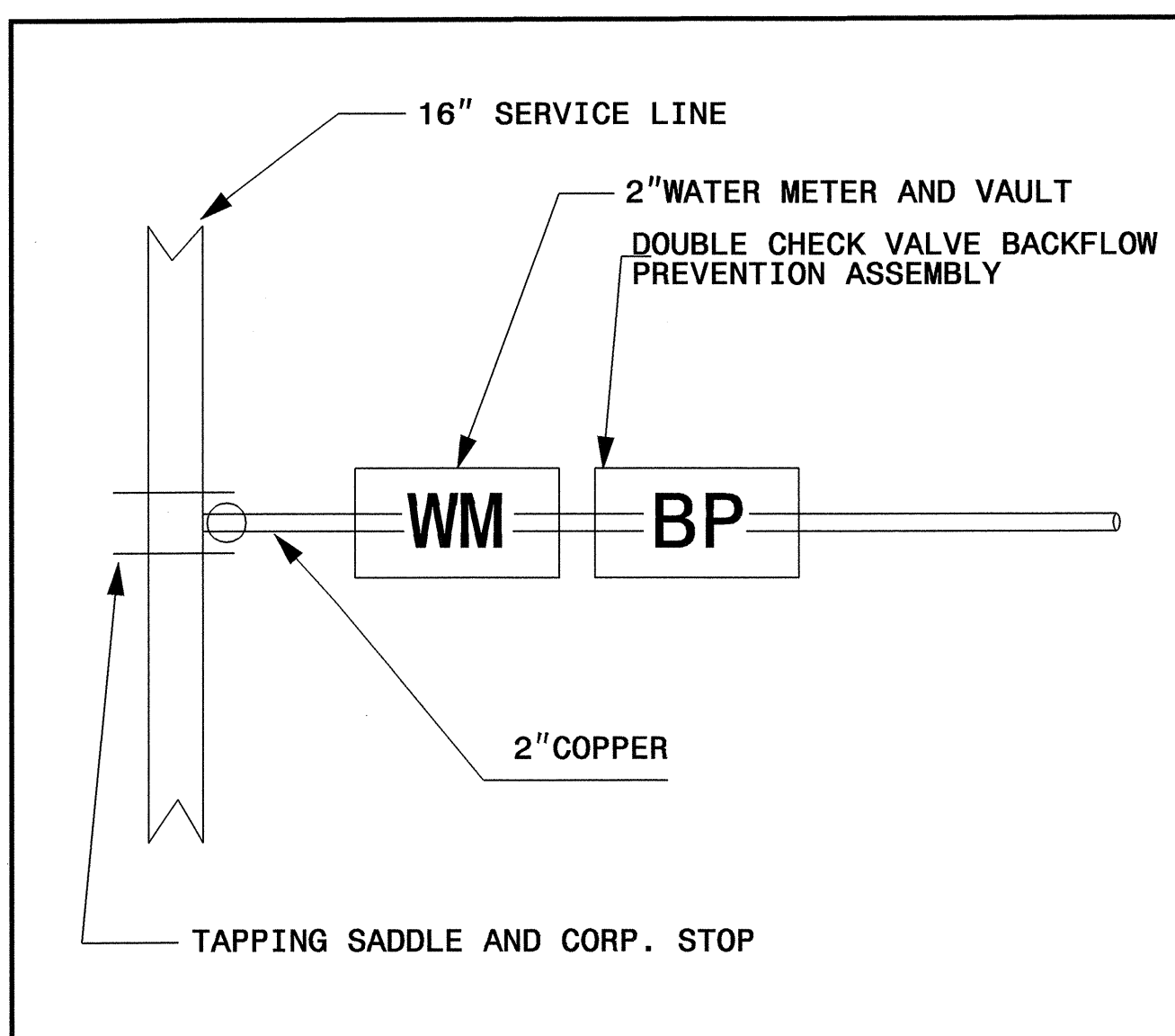
RELOCATE EXISTING 2" BACKFLOW ASSEMBLY



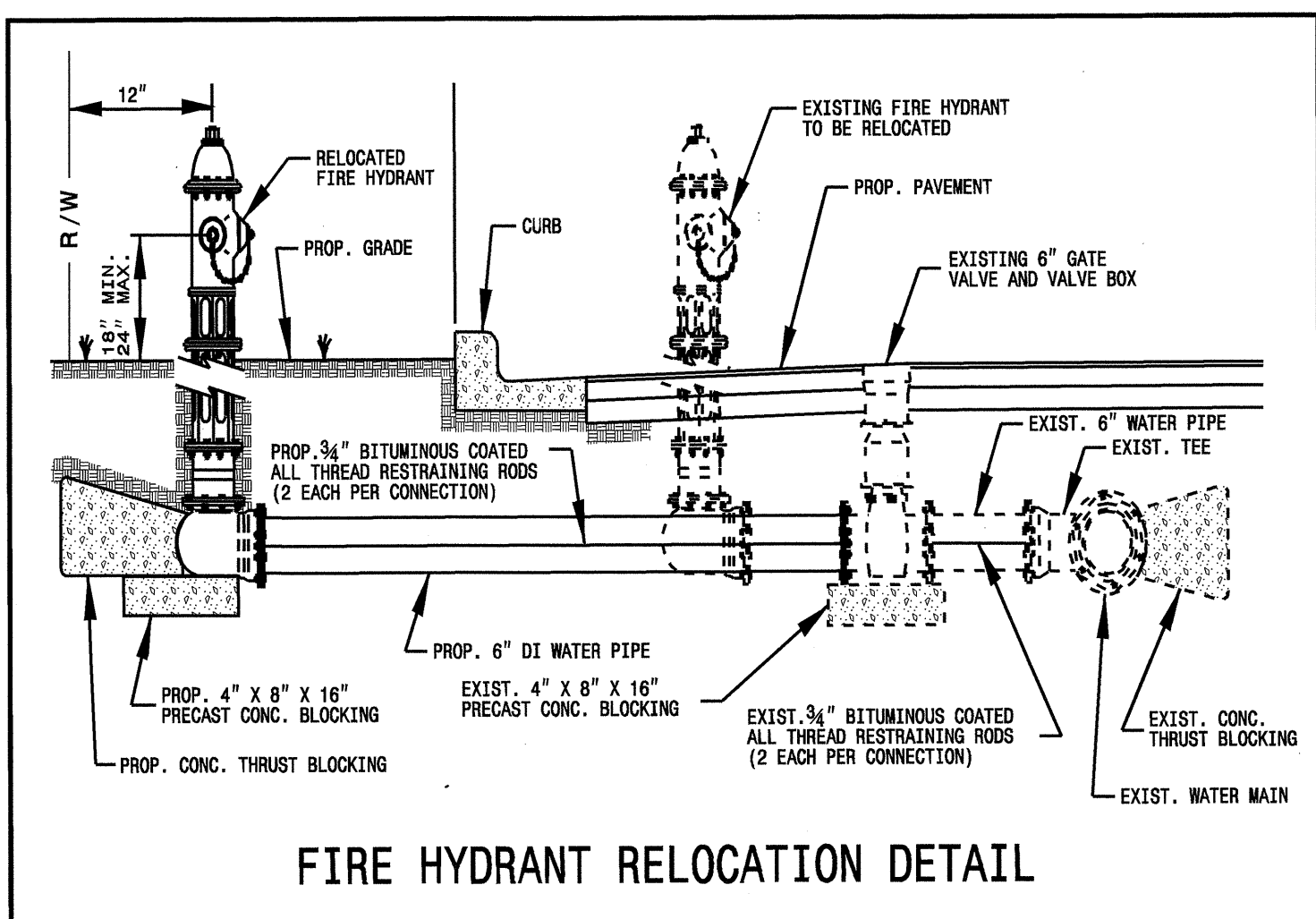
RELOCATE EXISTING 2" BACKFLOW ASSEMBLY WITH NEW VAULT



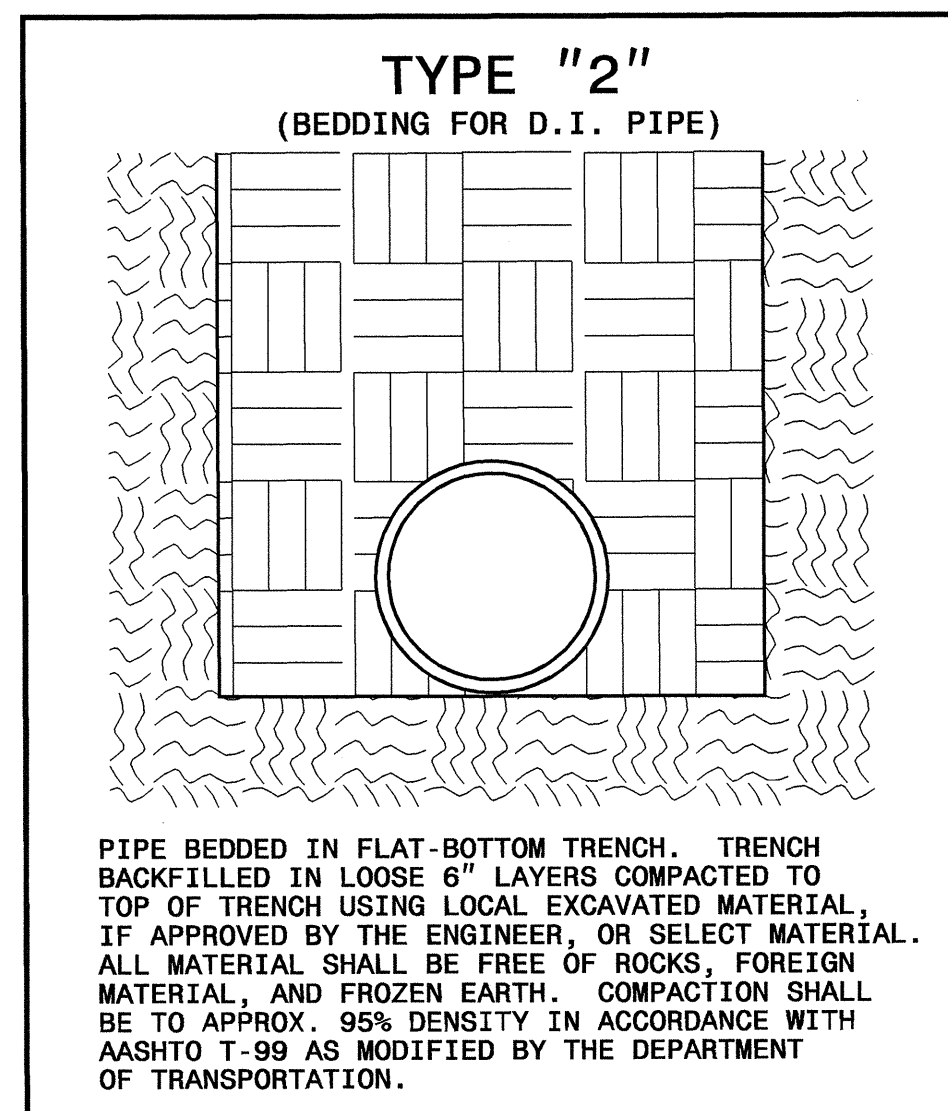
EXISTING WATER METER AND NEW VAULT



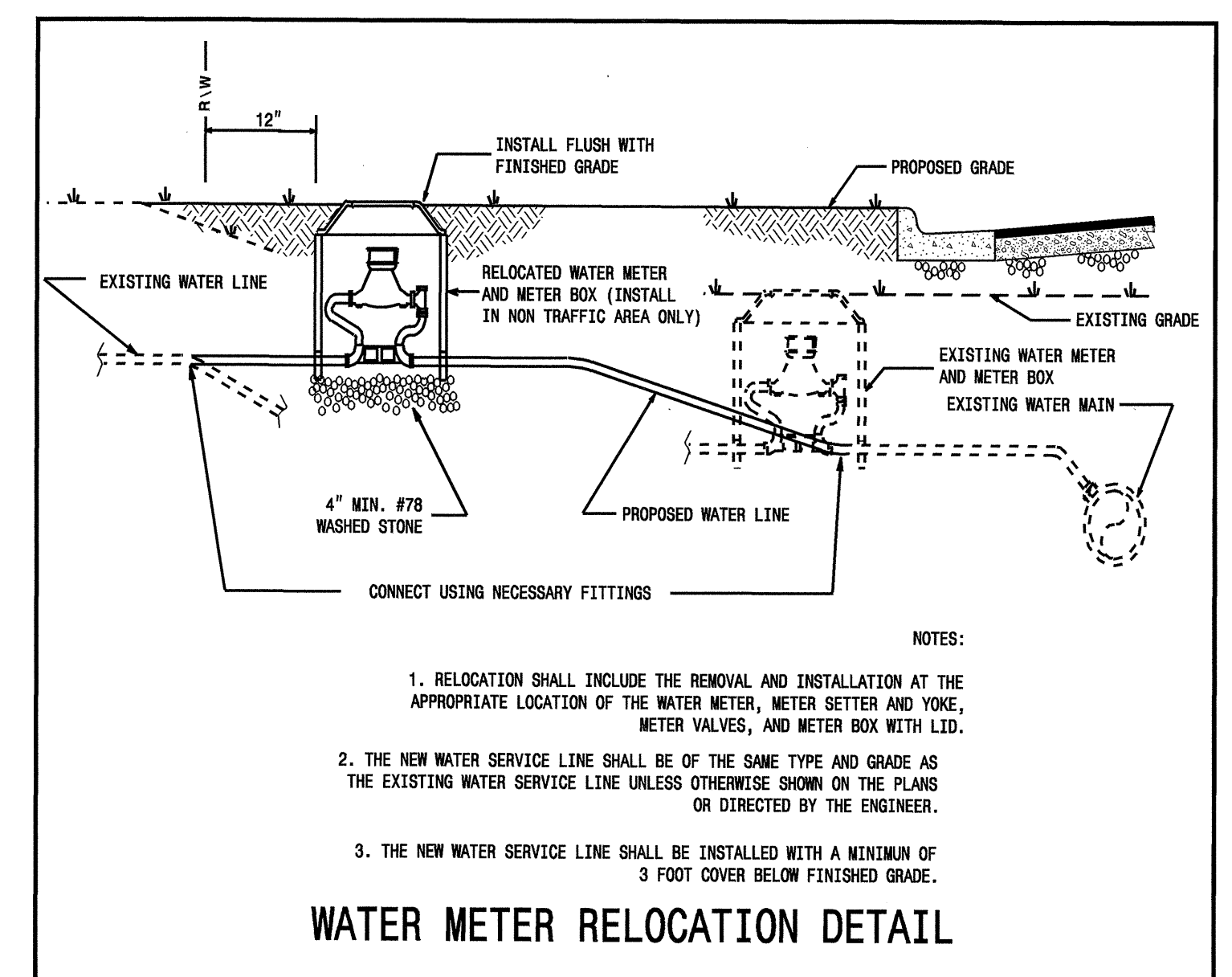
2" WATER METER SERVICE AND BACKFLOW ASSEMBLY



FIRE HYDRANT RELOCATION DETAIL

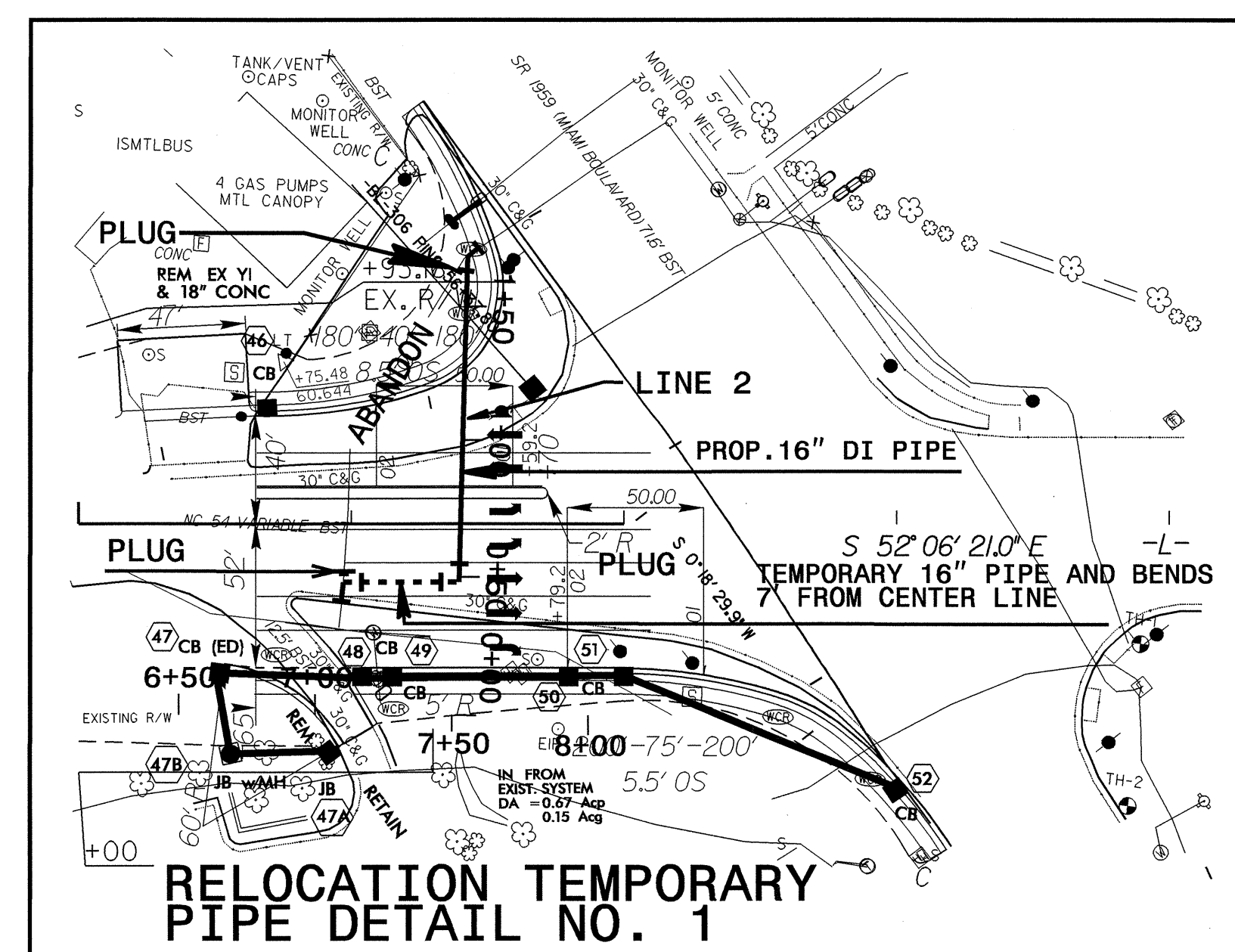


PIPE BEDDED IN FLAT-BOTTOM TRENCH. TRENCH BACKFILLED IN LOOSE 6" LAYERS COMPACTED TO TOP OF TRENCH USING LOCAL EXCAVATED MATERIAL, IF APPROVED BY THE ENGINEER, OR SELECT MATERIAL. ALL MATERIAL SHALL BE FREE OF ROCKS, FOREIGN MATERIAL, AND FROZEN EARTH. COMPACTION SHALL BE TO APPROX. 95% DENSITY IN ACCORDANCE WITH AASHTO T-99 AS MODIFIED BY THE DEPARTMENT OF TRANSPORTATION.

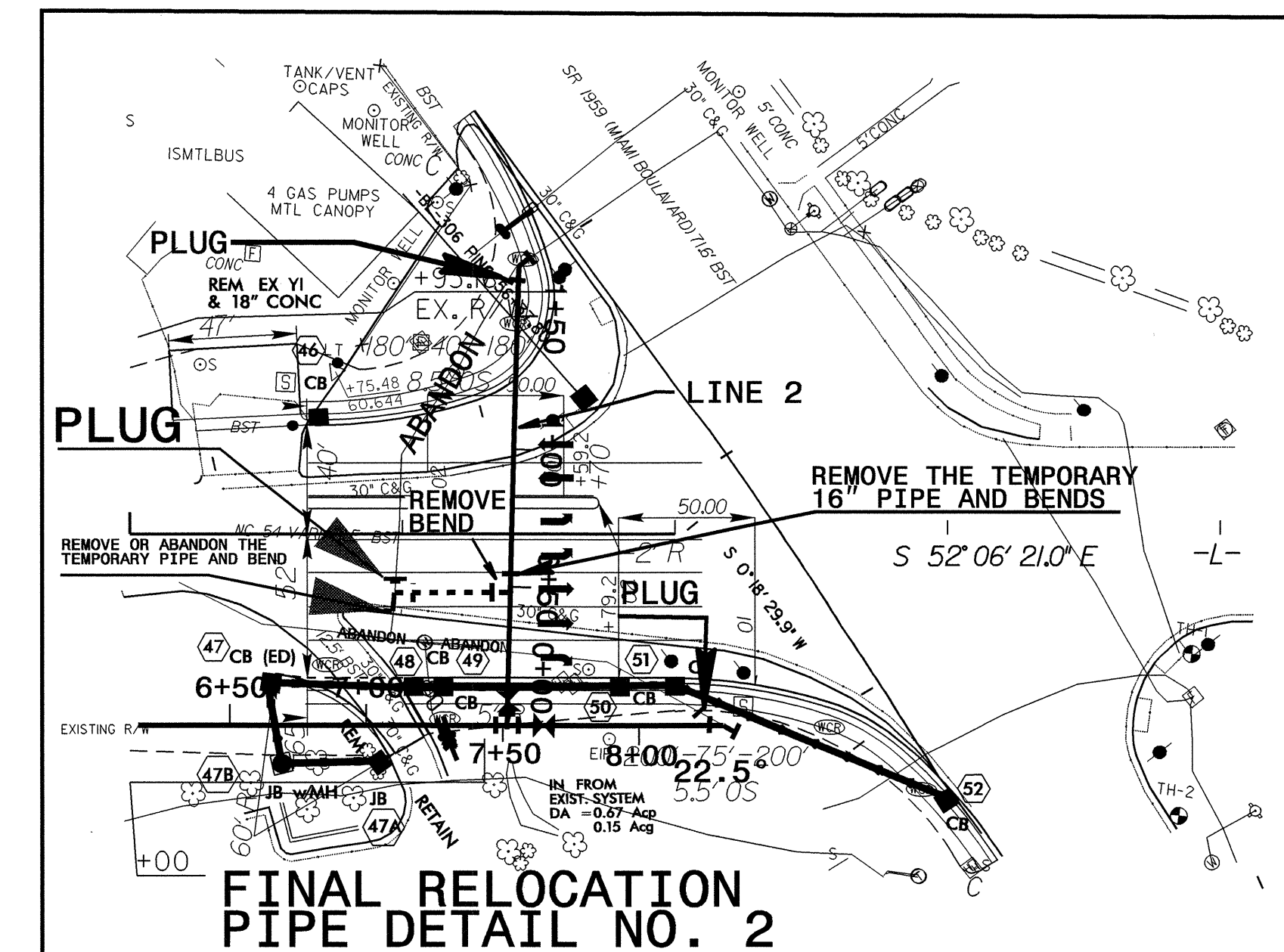


- NOTES:
1. RELOCATION SHALL INCLUDE THE REMOVAL AND INSTALLATION AT THE APPROPRIATE LOCATION OF THE WATER METER, METER SETTER AND YOKE, METER VALVES, AND METER BOX WITH LID.
 2. THE NEW WATER SERVICE LINE SHALL BE OF THE SAME TYPE AND GRADE AS THE EXISTING WATER SERVICE LINE UNLESS OTHERWISE SHOWN ON THE PLANS OR DIRECTED BY THE ENGINEER.
 3. THE NEW WATER SERVICE LINE SHALL BE INSTALLED WITH A MINIMUM OF 3 FOOT COVER BELOW FINISHED GRADE.

MAXIMUM TRENCH WIDTH AT TOP OF PIPE			
NOMINAL PIPE SIZE (INCHES)	TRENCH WIDTH (INCHES)	NOMINAL PIPE SIZE (INCHES)	TRENCH WIDTH (INCHES)
4	28	20	44
6	30	24	48
8	32	30	54
10	34	36	60
12	36	42	66
14	38	48	72
16	40	54	78
18	42		



RELOCATION TEMPORARY PIPE DETAIL NO. 1



FINAL RELOCATION PIPE DETAIL NO. 2