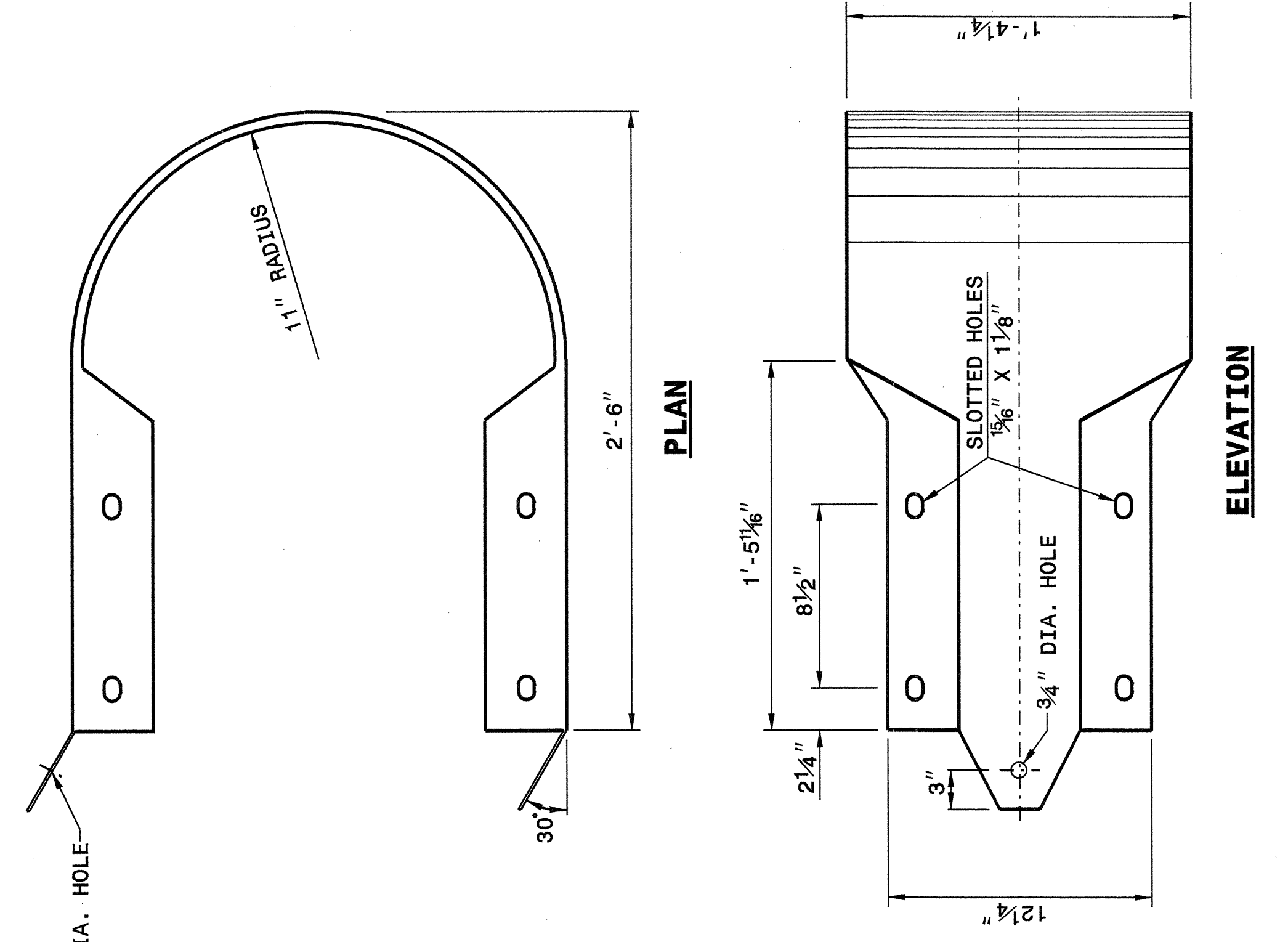


STATE OF NORTH CAROLINA
DEPT. OF TRANSPORTATION
DIVISION OF HIGHWAYS
RALEIGH, N.C.

ENGLISH DETAIL DRAWING FOR
GUARDRAIL INSTALLATION

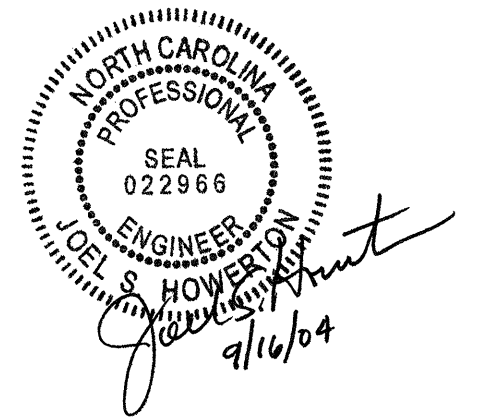
SHEET 7 OF 7
862D02



STATE OF NORTH CAROLINA
DEPT. OF TRANSPORTATION
DIVISION OF HIGHWAYS
RALEIGH, N.C.

ENGLISH DETAIL DRAWING FOR
GUARDRAIL INSTALLATION

SHEET 7 OF 7
862D02



**DESIGN SERVICES UNIT
STANDARDS AND SPECIAL DESIGN**
Office 919-250-4128 FAX 919-250-4119

SEE PLATE FOR TITLE

ORIGINAL BY: 2002 STD. 862.02 DATE: _____
 MODIFIED BY: E.E. WARD DATE: 02-09-03
 CHECKED BY: *Joe S. Howerton* DATE: 4-29-04
 FILE SPEC.: /usr/stds/02stdetail/english/86202/862d02.dgn

23-APR-2004 11:01 W:\Special Details\stds\stds\02\stds to Special Details/english\86202\0862d02.dgn
 5/14/99