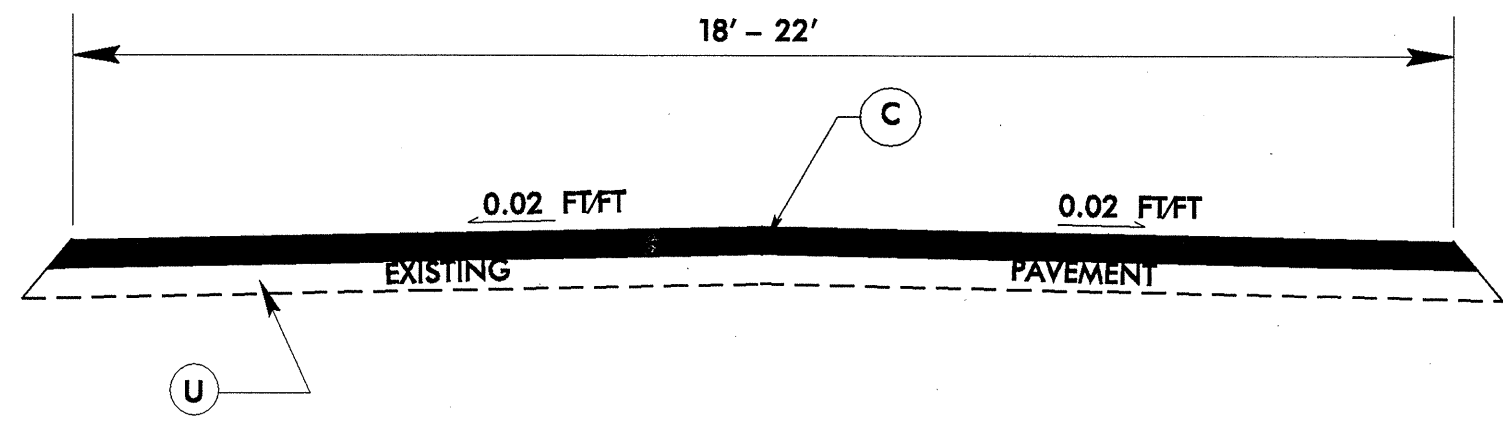
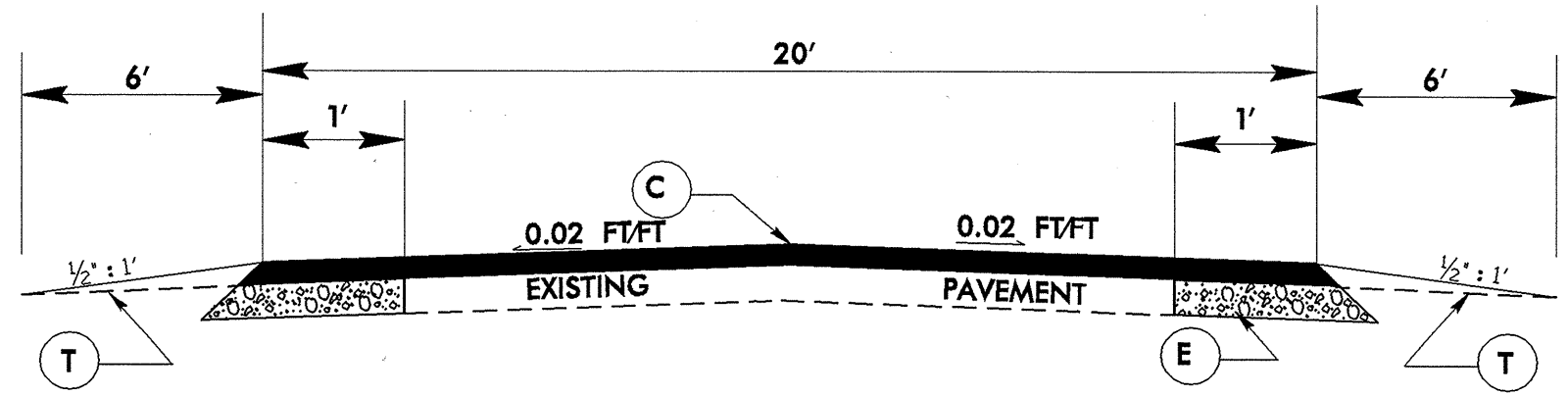


TYPICAL SECTION NO. 4



TYPICAL SECTION NO. 5



TYPICAL SECTION NO. 6

04-OCT-2004 16:14
 X:\Resurfacing\39236\Division 3\39236.ETC\39236e.tc.dgn
 6/2/99
 39236