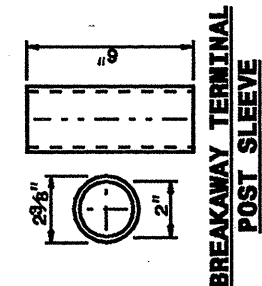


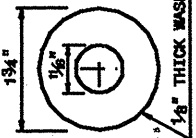
STATE OF
NORTH CAROLINA
DEPT. OF TRANSPORTATION
DIVISION OF HIGHWAYS
RALEIGH, N.C.

ENGLISH DETAIL DRAWING FOR
GUARDRAIL INSTALLATION

SHEET 5 OF 7
862D02

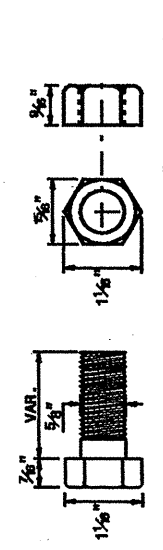


BREAKAWAY TERMINAL
POST SLEEVE

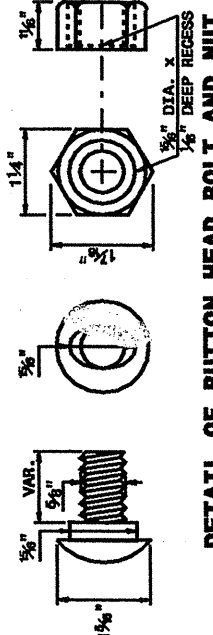


1/8" THICK WASHER

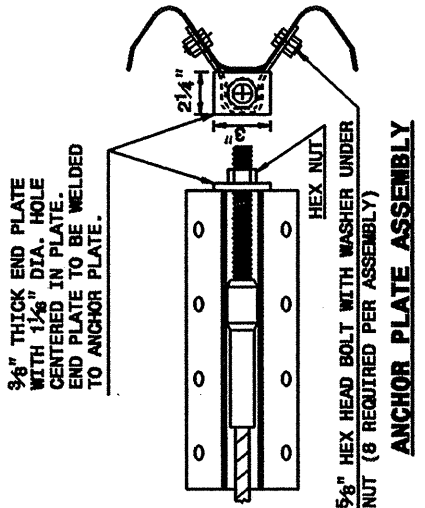
DETAIL OF STANDARD WASHER
STANDARD WASHER: TYPICAL USE UNDER NUT WITH WOOD POST



DETAIL OF STANDARD HEX BOLT AND NUT

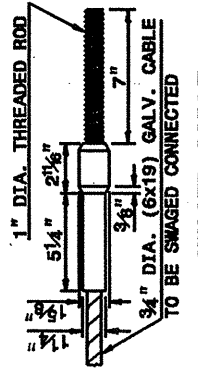


DETAIL OF BUTTON HEAD BOLT AND NUT

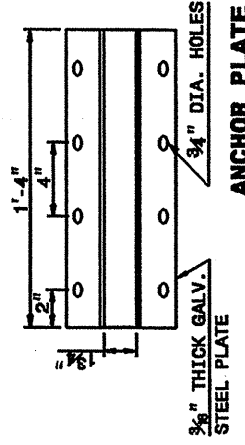


3/8" THICK END PLATE
WITH 1 1/8" DIA. HOLE
CENTERED IN PLATE.
END PLATE TO BE WELDED
TO ANCHOR PLATE.

HEX NUT
5/8" HEX HEAD BOLT WITH WASHER UNDER
NUT (6 REQUIRED PER ASSEMBLY)
ANCHOR PLATE ASSEMBLY



1" DIA. THREADED ROD
5 1/4" 2 1/8"
3/4" DIA. GALV. CABLE
TO BE SWAGED CONNECTED
SWAGED CABLE



3/8" THICK GALV.
STEEL PLATE
3/4" DIA. HOLES
ANCHOR PLATE
CABLE ASSEMBLY

SYSTEM PARTS

SHEET 5 OF 7
862D02

STATE OF
NORTH CAROLINA
DEPT. OF TRANSPORTATION
DIVISION OF HIGHWAYS
RALEIGH, N.C.

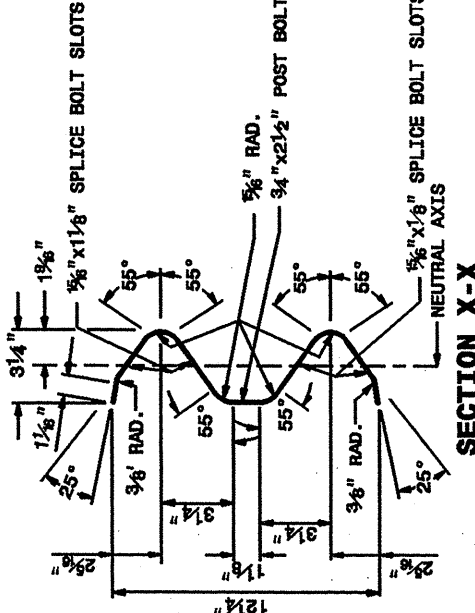
ENGLISH DETAIL DRAWING FOR
GUARDRAIL INSTALLATION

SHEET 5 OF 7
862D02

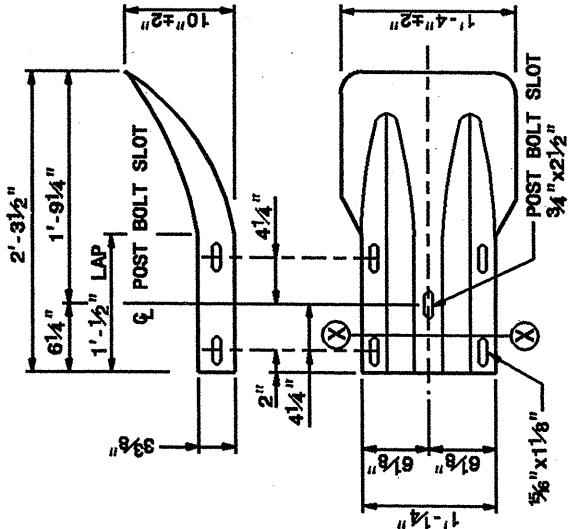
STATE OF
NORTH CAROLINA
DEPT. OF TRANSPORTATION
DIVISION OF HIGHWAYS
RALEIGH, N.C.

ENGLISH DETAIL DRAWING FOR
GUARDRAIL INSTALLATION

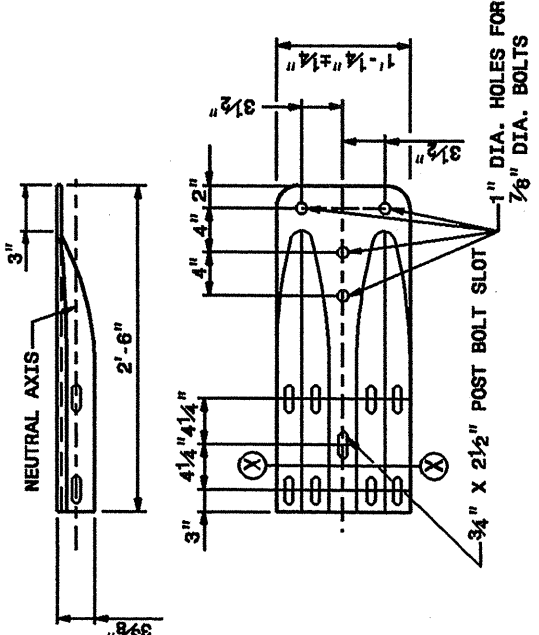
SHEET 6 OF 7
862D02



SECTION X-X



TERMINAL END SECTION



TYPICAL END SHOE

SYSTEM PARTS - GENERAL USE

STATE OF
NORTH CAROLINA
DEPT. OF TRANSPORTATION
DIVISION OF HIGHWAYS
RALEIGH, N.C.

ENGLISH DETAIL DRAWING FOR
GUARDRAIL INSTALLATION

SHEET 6 OF 7
862D02

DESIGN SERVICES UNIT
STANDARDS AND SPECIAL DESIGN
Office 919-250-4128 FAX 919-250-4119

SEE PLATE FOR TITLE

ORIGINAL BY: 2002 STD. 862.02 DATE:
MODIFIED BY: E.E. WARD DATE: 02-08-03
CHECKED BY: [Signature] DATE: 7-03
FILE SPEC.: [Signature]

PROJECT REFERENCE NO.	SHEET NO.
345401R3409D	17 OF 18
39236	3CR.20311.14
	3CR.20821.14