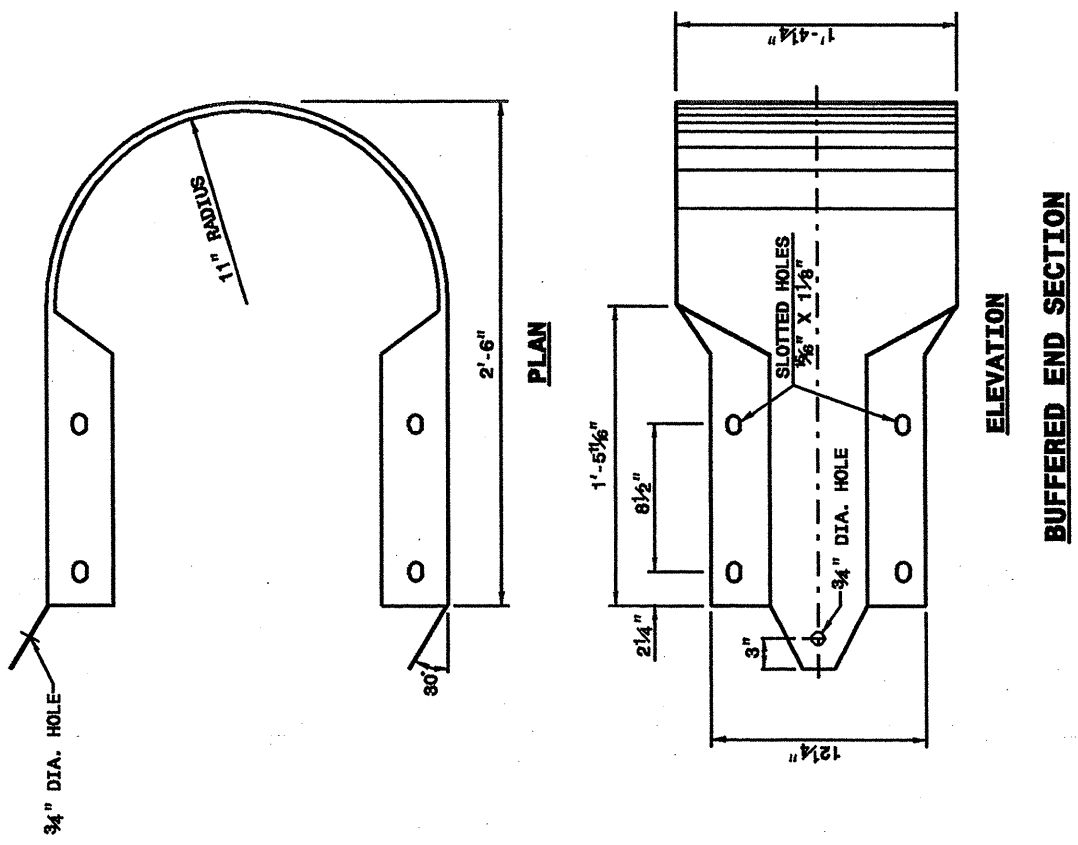


PROJECT REFERENCE NO.	SHEET NO.
34540/R3409D	18 OF 18
39236	3CR.20311.14
	3CR.20821.14

STATE OF NORTH CAROLINA  
DEPT. OF TRANSPORTATION  
RALEIGH, N.C.

ENGLISH DETAIL DRAWING FOR  
GUARDRAIL INSTALLATION

SHEET 7 OF 7  
862D02



STATE OF NORTH CAROLINA  
DEPT. OF TRANSPORTATION  
DIVISION OF HIGHWAYS  
RALEIGH, N.C.

ENGLISH DETAIL DRAWING FOR  
GUARDRAIL INSTALLATION

SHEET 7 OF 7  
862D02

DESIGN SERVICES UNIT  
STANDARDS AND SPECIAL DESIGN  
Office 919-250-4126 FAX 919-250-4119

SEE PLATE FOR TITLE

ORIGINAL BY: 2002 STD. 802.02 DATE:  
MODIFIED BY: E.E. WARD DATE: 02-09-03  
CHECKED BY: DATE: 7-03  
FILE SPEC.: /usr7/psd/02stdetals/eng/11ah/86202/862D02.dgn

30-JUN-2003 10:35  
M:\Special Details\Standards\stds\02\Std to Special Details\English\86202\0862d02.dgn  
entoward

5/14/99