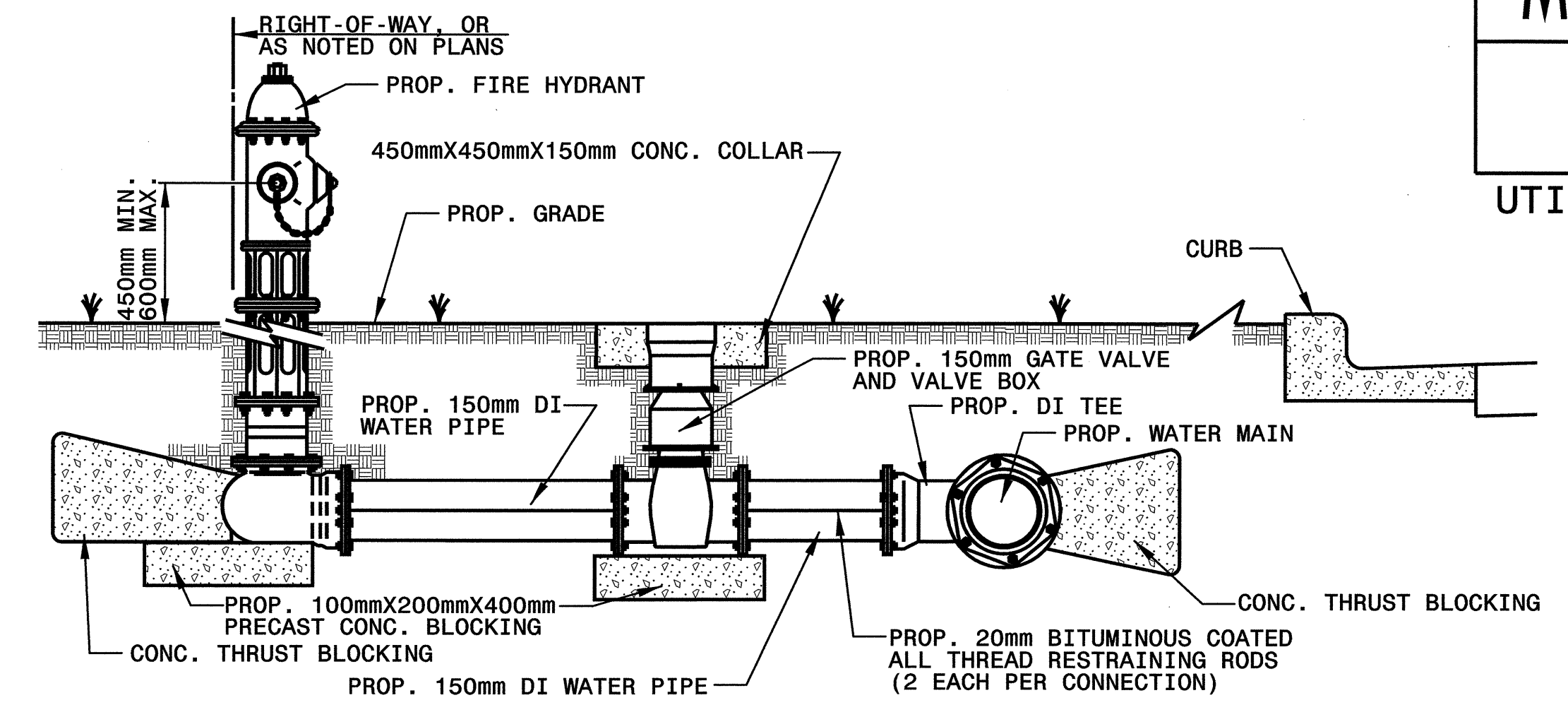
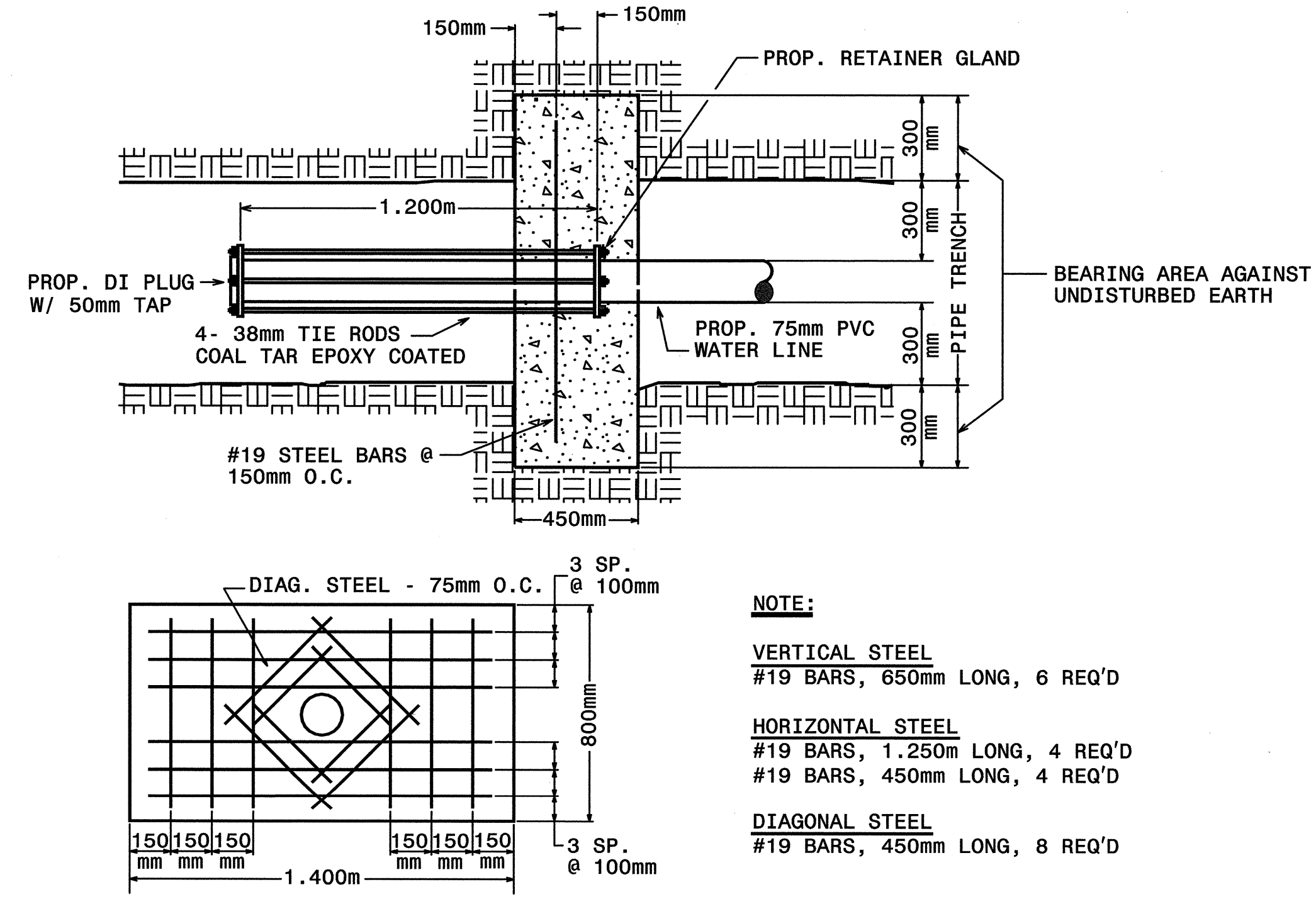


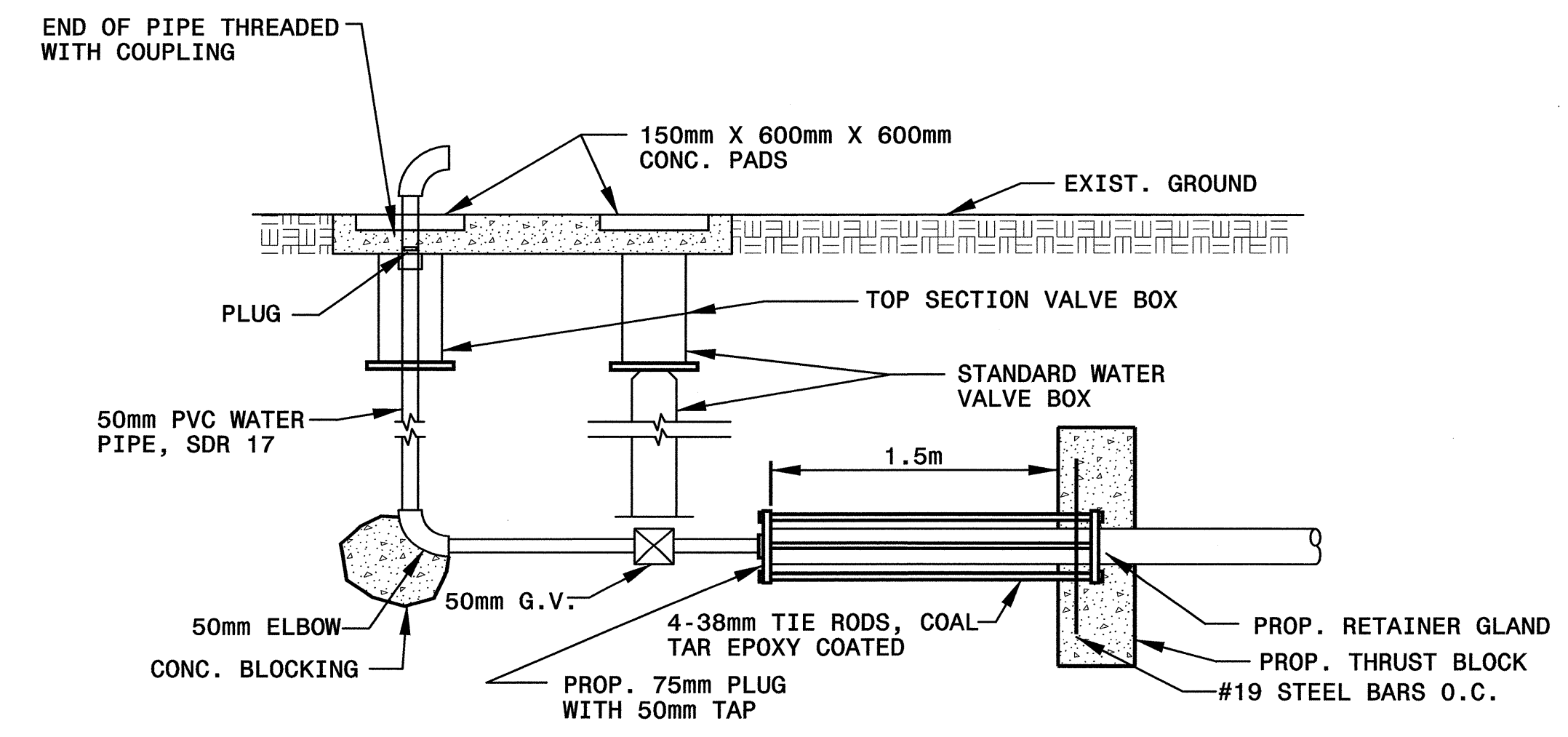
FIRE HYDRANT RELOCATION DETAIL



**FIRE HYDRANT INSTALLATION DETAIL
(UNPAVED AREAS)**



**THRUST RESTRAINT WITH RETAINER GLAND FOR
PROPOSED 50MM BLOW OFF ASSEMBLY**



50mm BLOW OFF ASSEMBLY

G:\78489\F2568B\temp\DF6\1\F2568B.dwg 10/10/2004 01:07:40 PM