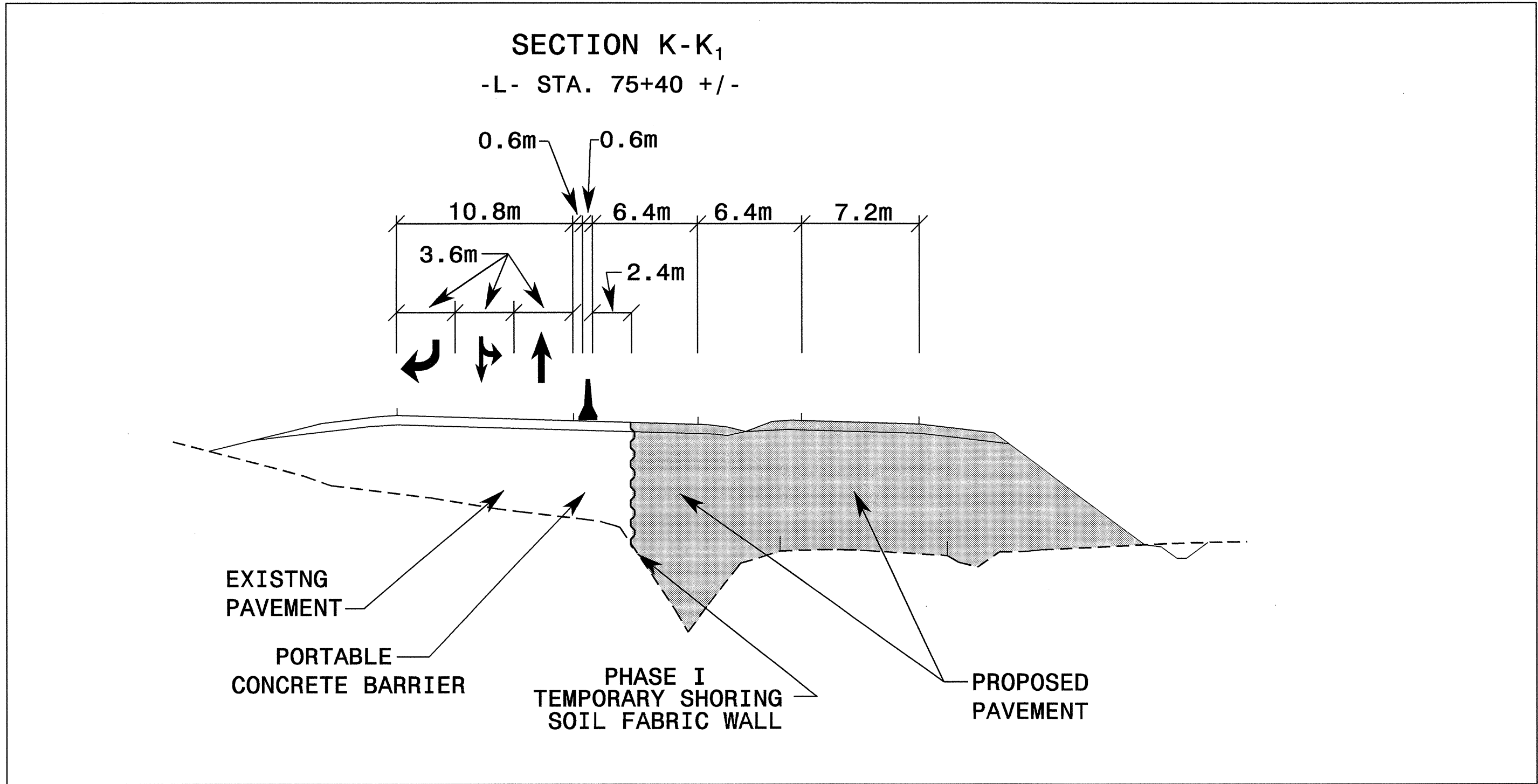
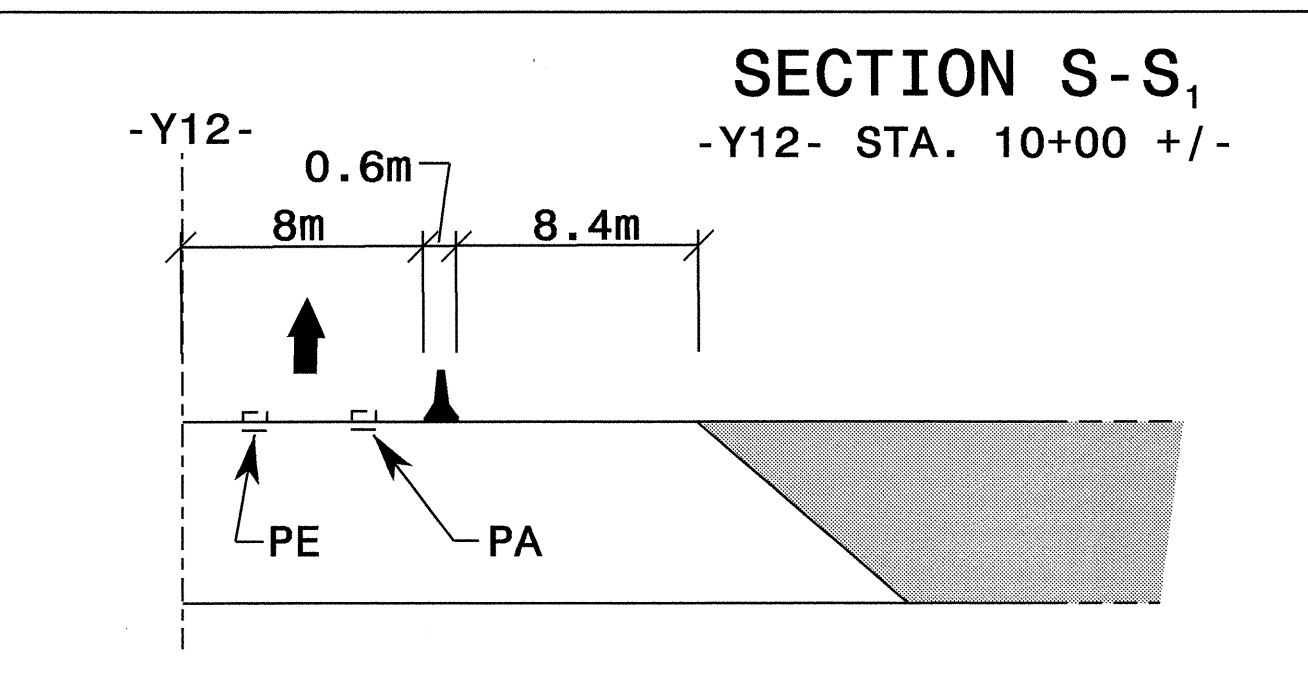
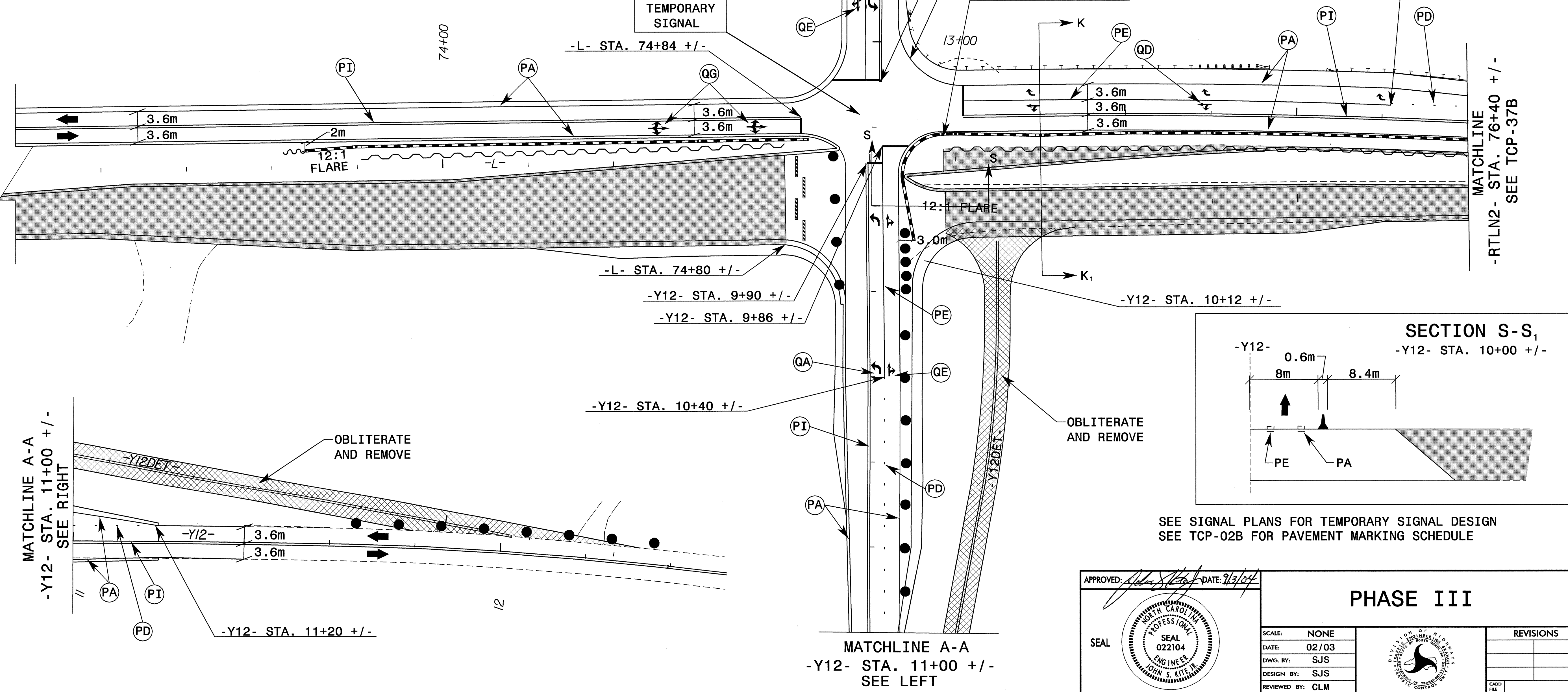




PROJ. REFERENCE NO. R-2568B	SHEET NO. TCP-35A
--------------------------------	----------------------



SEE PM-10 FOR
-Y11- PAVEMENT MARKINGS



SEE SIGNAL PLANS FOR TEMPORARY SIGNAL DESIGN
SEE TCP-02B FOR PAVEMENT MARKING SCHEDULE

APPROVED: DATE: 7/3/07

SEAL:

PHASE III

SCALE: NONE		REVISIONS
DATE: 02/03		
DWG. BY: SJS		
DESIGN BY: SJS		
REVIEWED BY: CLM		

03-SEP-2004 15:12
J:\TCP\PHASE3\TCP35A.dgn
cmullen AT TET108614