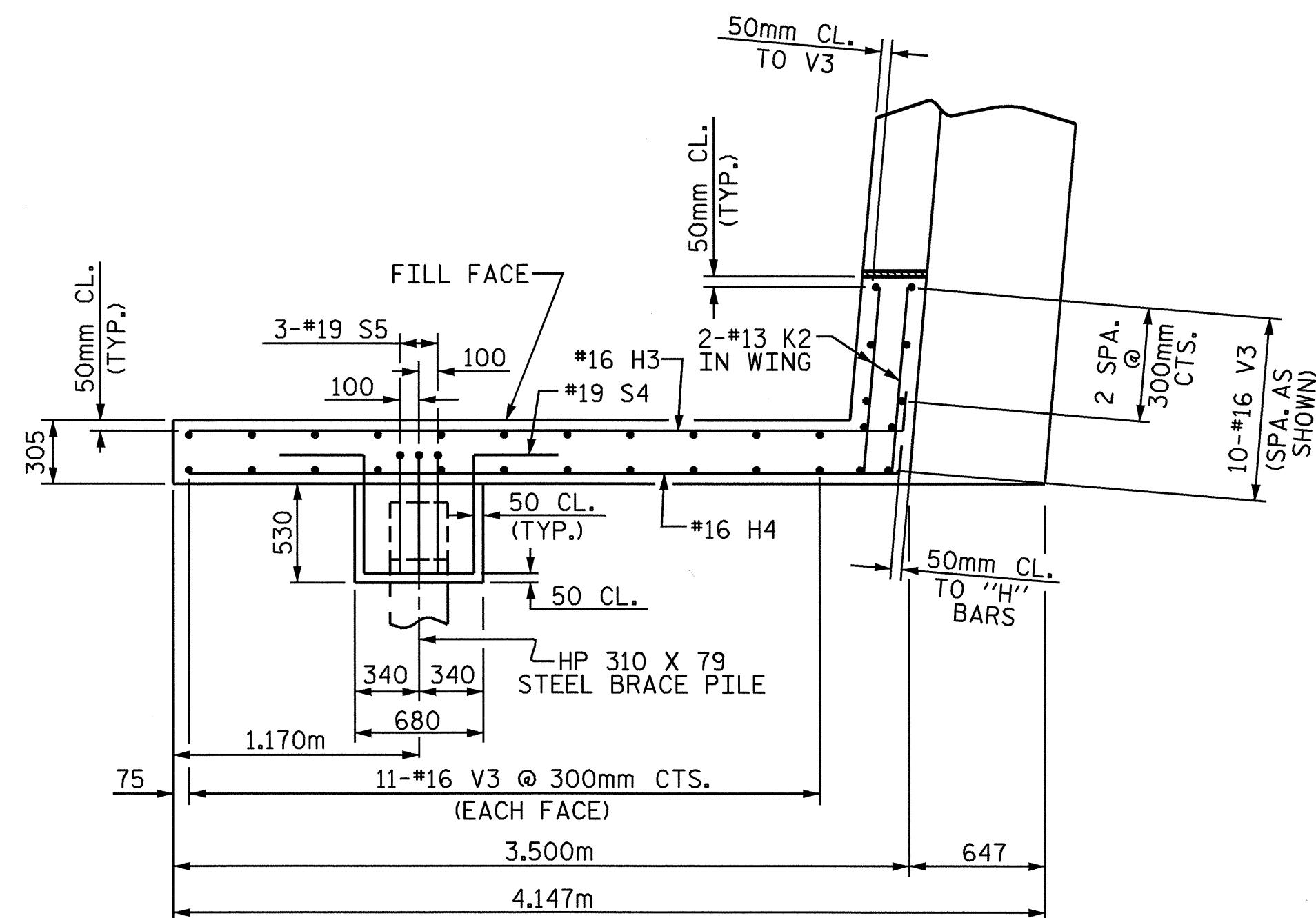
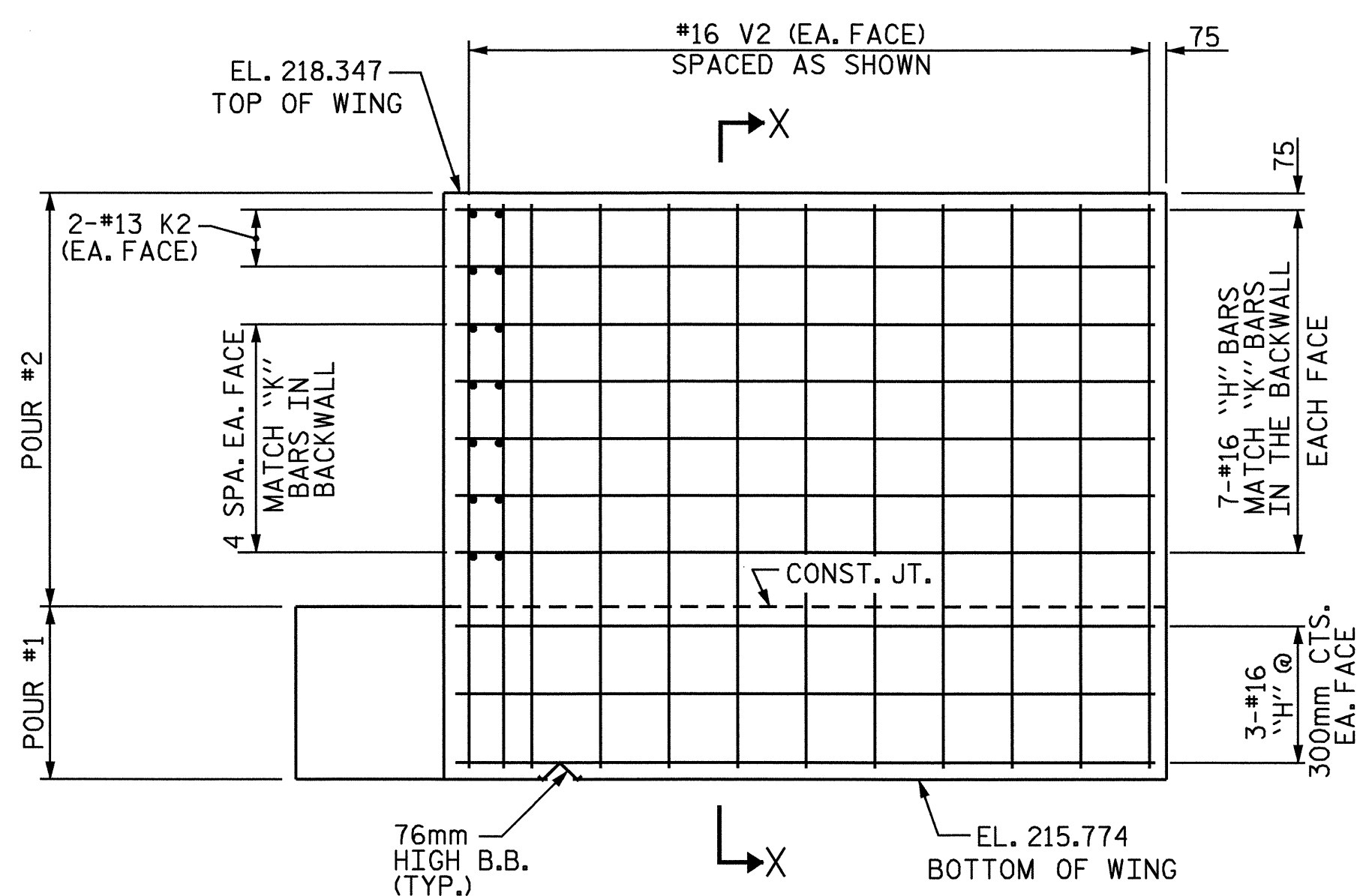


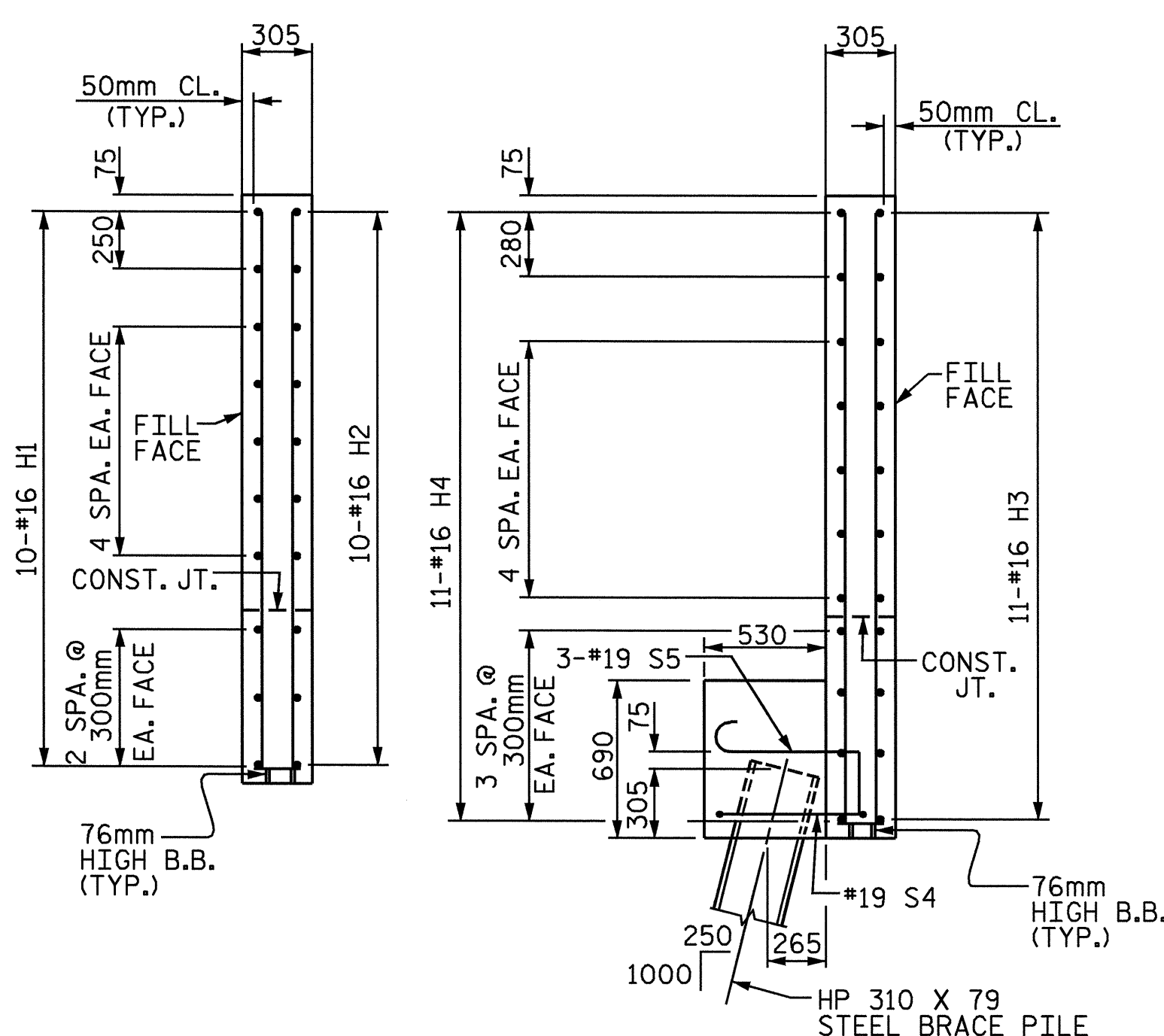
PLAN OF LEFT WING W1



PLAN OF RIGHT WING W2

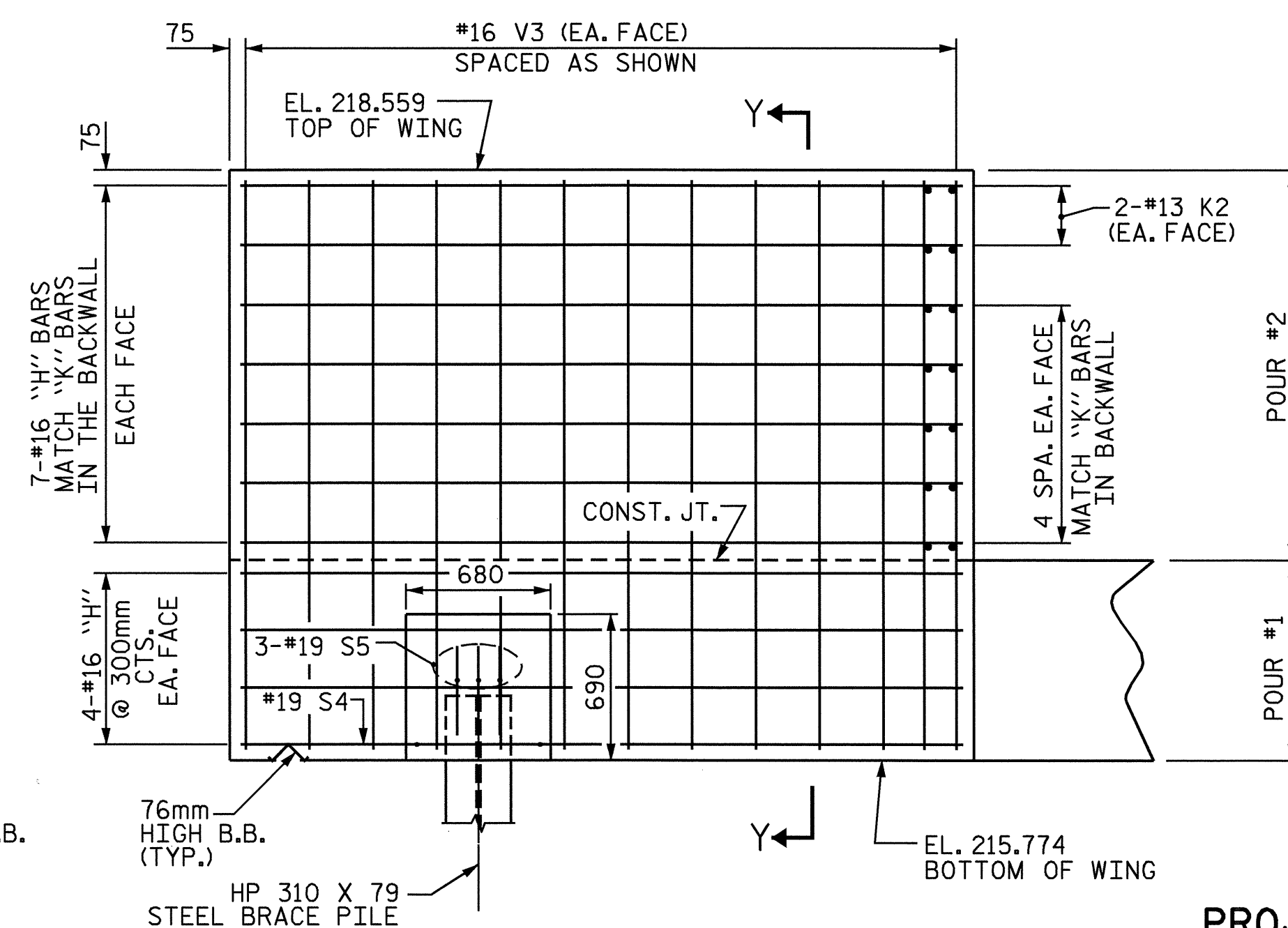


ELEVATION OF LEFT WING W1



SECTION X-X

SECTION Y-Y



ELEVATION OF RIGHT WING W2

PROJECT NO. R-2568B
DAVIDSON COUNTY
 STATION: 61+31.500 -L-

SHEET 2 OF 3

STATE OF NORTH CAROLINA
 DEPARTMENT OF TRANSPORTATION
 RALEIGH

SUBSTRUCTURE
 END BENT 1



DRAWN BY : QT NGUYEN DATE : 12-03
 CHECKED BY : CR LEWIS DATE : 7-04

08-SEP-2004 09:22
 W:\edquady\2568b\nguyen\Microstation\sub\2568ble.dgn
 qtnguyen

REVISIONS						SHEET NO.
NO.	BY:	DATE:	NO.	BY:	DATE:	S-18
1			3			TOTAL SHEETS
2			4			64

STR. #1