

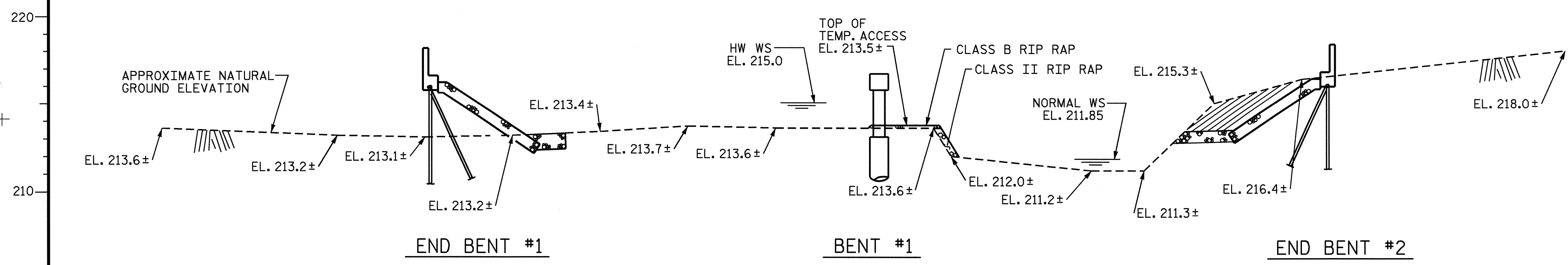
NOTES

FOR CONSTRUCTION, MAINTENANCE AND REMOVAL OF TEMPORARY ACCESS, SEE SPECIAL PROVISIONS.

ALL GRADING REQUIRED FOR ACCESS TO THE TEMPORARY ACCESS SHALL BE INCLUDED IN THE LUMP SUM BID PRICE FOR "CONSTRUCTION, MAINTENANCE, AND REMOVAL OF TEMPORARY ACCESS".

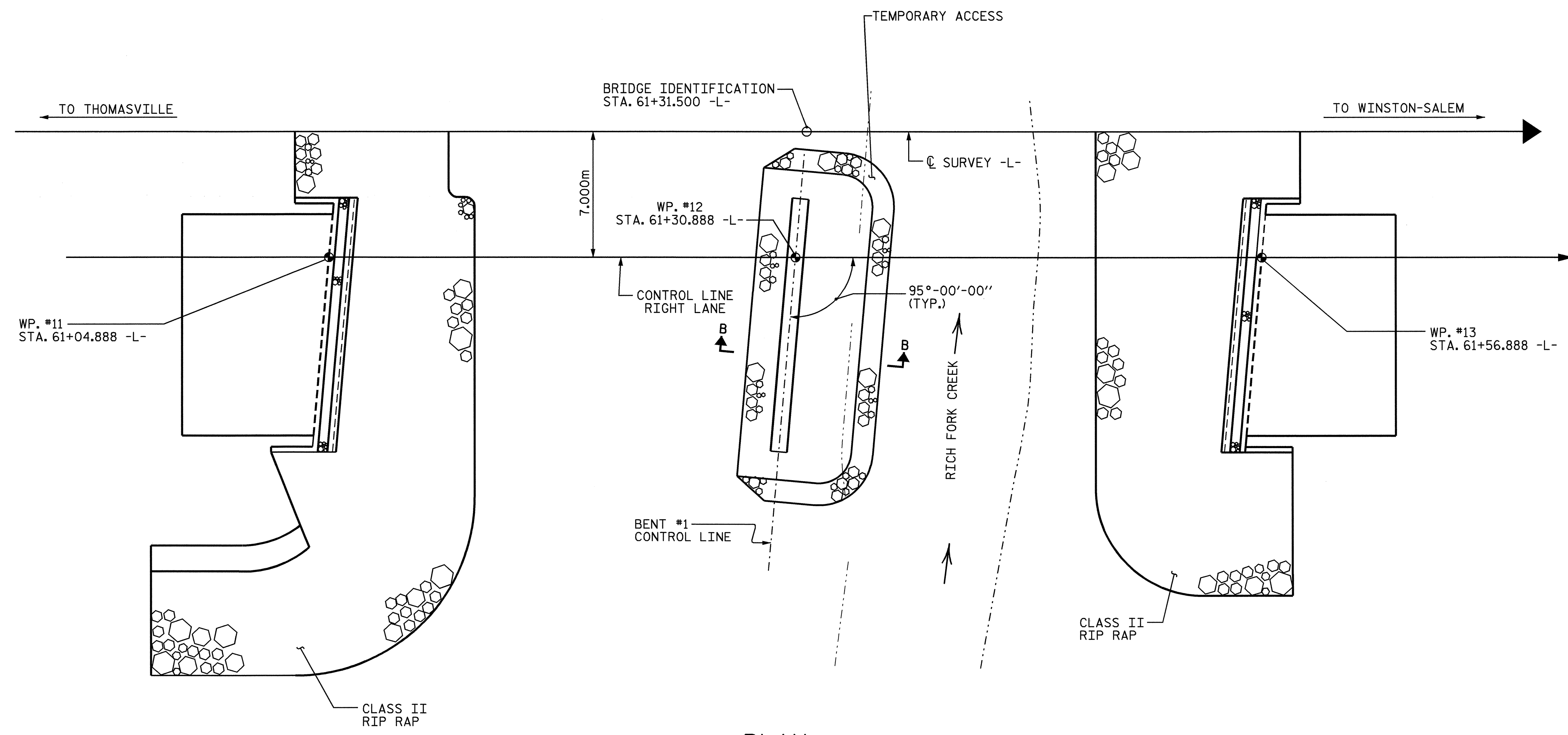
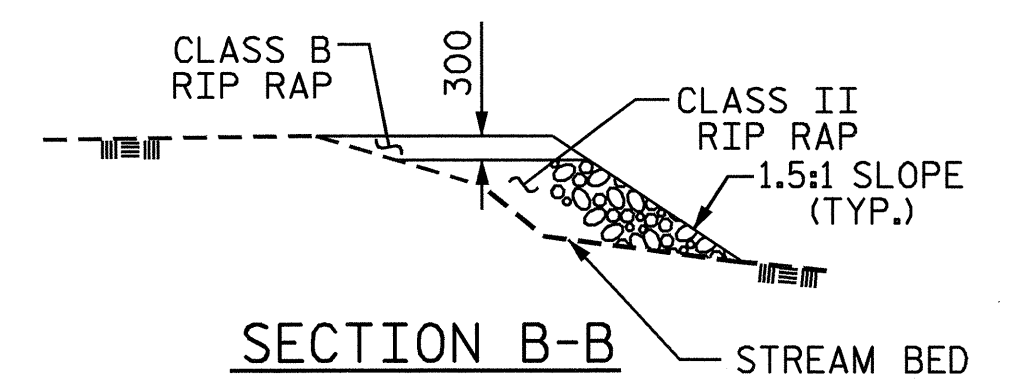
THE CONTRACTOR'S ATTENTION IS CALLED TO THE FACT THAT THE LOCATION AND PROFILE OF THE TEMPORARY ACCESS SHOWN ON THE PLANS IS FOR ESTIMATING PURPOSES ONLY. THE ACTUAL LOCATION AND PROFILE SHALL BE DETERMINED IN THE FIELD WITH THE APPROVAL OF THE ENGINEER.

FOR CLASS II RIP RAP AND CLASS B RIP RAP, SEE SPECIAL PROVISION, "CONSTRUCTION, MAINTENANCE, AND REMOVAL OF TEMPORARY ACCESS".



SECTION ALONG CONTROL LINE RIGHT LANE

SECTION THRU END BENTS AND BENT TAKEN @ RIGHT ANGLES



PLAN



PROJECT NO. R-2568B
DAVIDSON COUNTY
 STATION: 61+31.500 -L-

SHEET 1 OF 1

STATE OF NORTH CAROLINA
 DEPARTMENT OF TRANSPORTATION
 RALEIGH

**TEMPORARY ACCESS
 RIGHT LANE**

DRAWN BY : CR YARBROUGH DATE : 8-04
 CHECKED BY : MG CHEEK DATE : 8-04

REVISIONS						SHEET NO.
NO.	BY:	DATE:	NO.	BY:	DATE:	S-36
1			3			TOTAL SHEETS
2			4			64

STR. #2