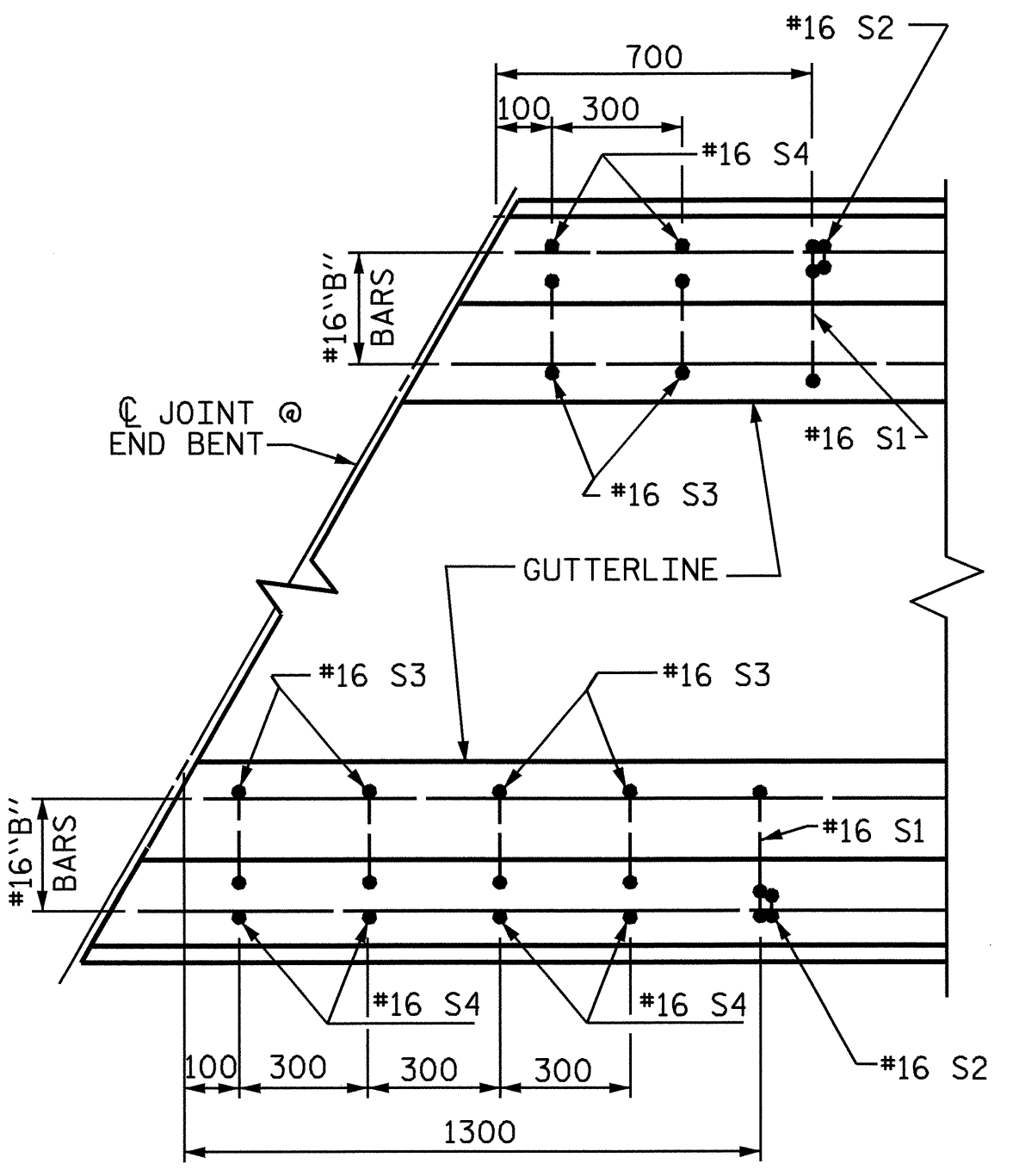
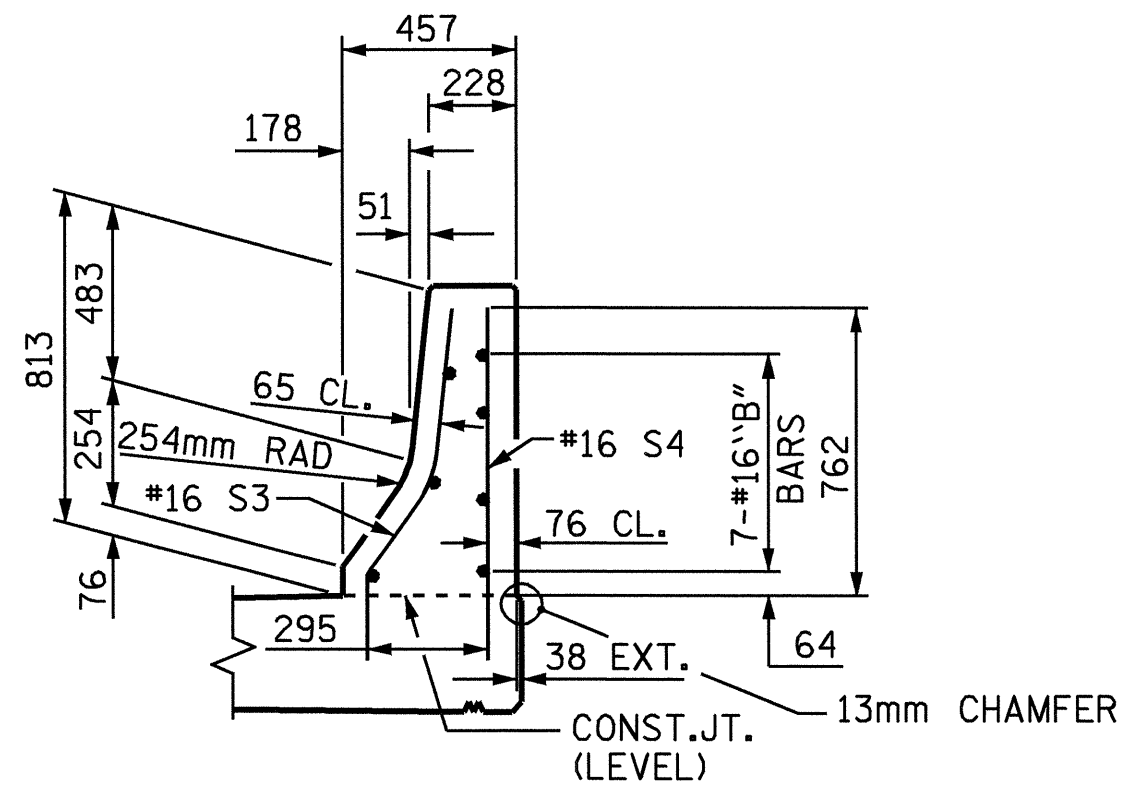


PLAN

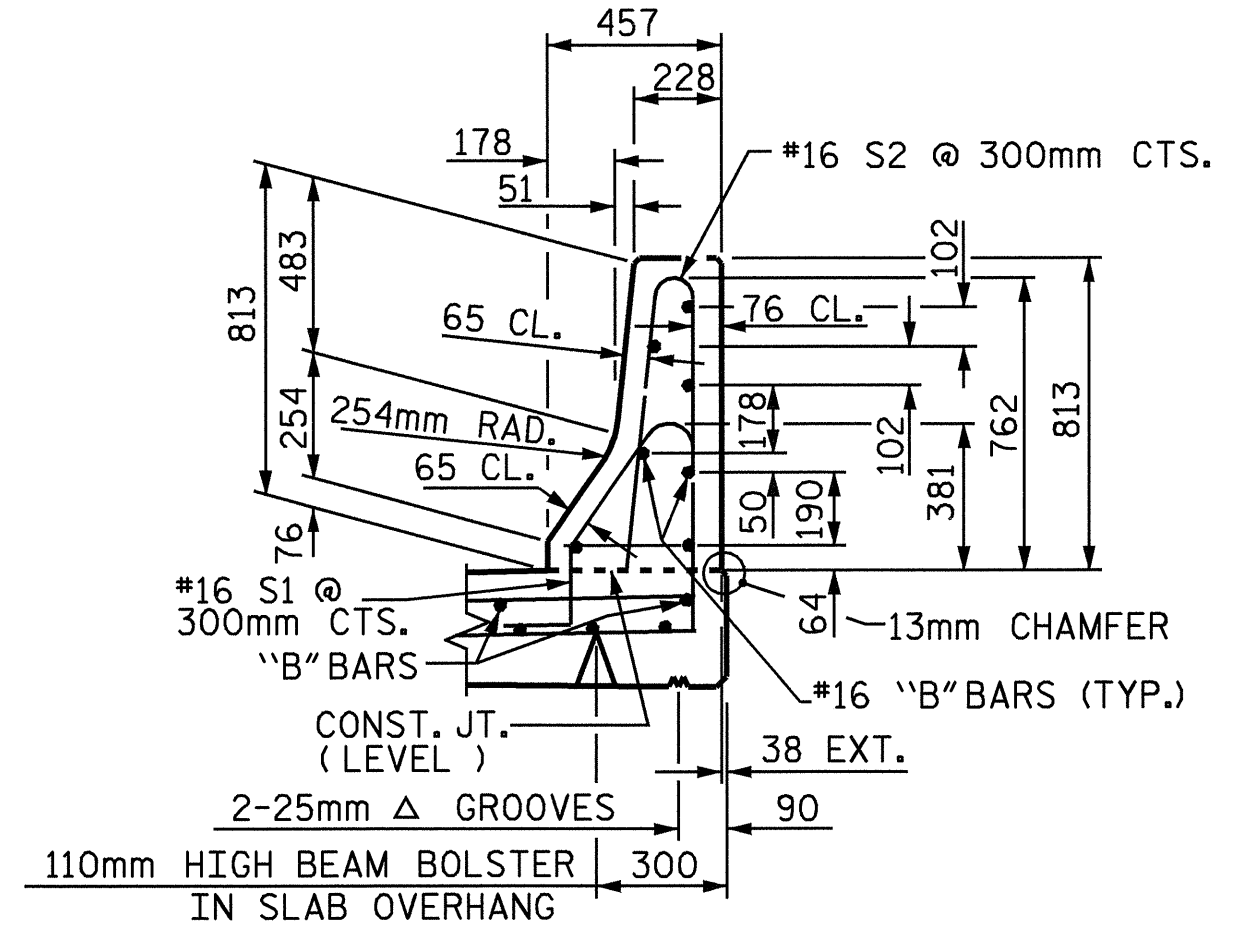


PLAN



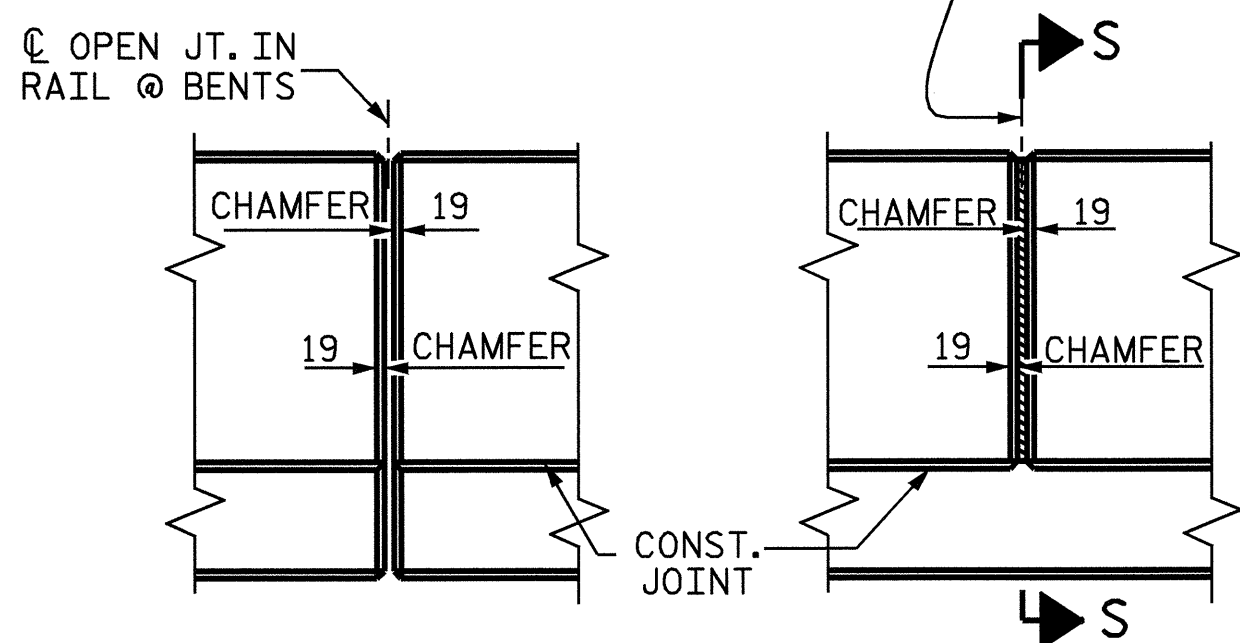
END VIEW

END OF RAIL DETAILS  
FOR ADHESIVE ANCHORING AT SAWED JOINTS



SECTION THRU RAIL

CONST. JT. MAT'L HELD IN PLACE WITH GALVANIZED NAILS. (NOTE: OMIT EXP. JT. MAT'L. WHEN SLIP FORM IS USED.)



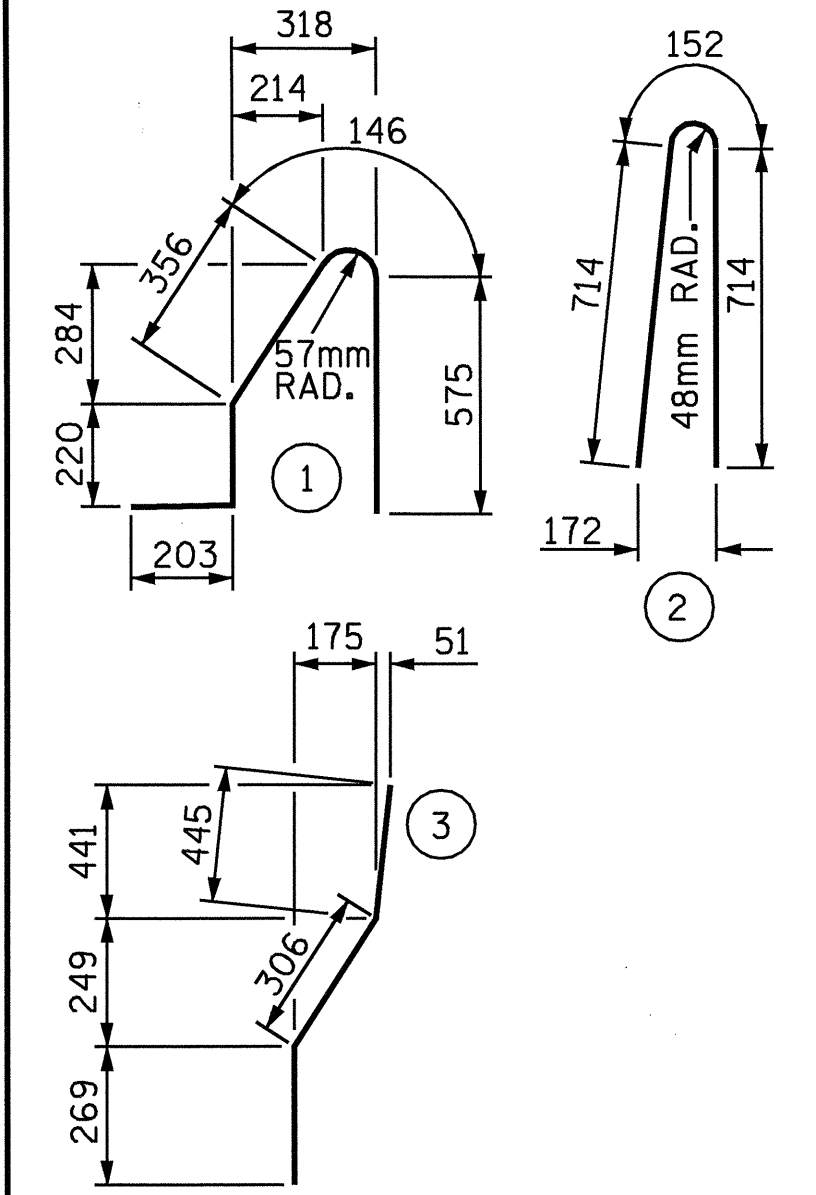
ELEVATION AT EXPANSION JOINTS  
BARRIER RAIL DETAILS

NOTES

THE BARRIER RAIL SHALL NOT BE CAST UNTIL ALL SLAB CONCRETE IN HAS BEEN CAST AND HAS REACHED A MINIMUM COMPRESSIVE STRENGTH OF 20.7 MPa.  
THE JOINT IN THE DECK SHALL BE SAWED PRIOR TO THE CASTING OF BARRIER RAIL.  
ALL REINFORCING STEEL IN BARRIER RAILS SHALL BE EPOXY COATED.

VERTICAL GROOVED CONTRACTION JOINTS, 12mm IN DEPTH, SHALL BE TOOLED IN ALL EXPOSED FACES OF THE BARRIER RAIL AND IN ACCORDANCE WITH ARTICLE 825-10(B) OF THE STANDARD SPECIFICATIONS. THE CONTRACTION JOINT SHALL BE LOCATED AT EACH THIRD POINT BETWEEN BARRIER RAIL EXPANSION JOINTS. ONLY ONE CONTRACTION JOINT IS REQUIRED AT MIDPOINT OF BARRIER RAIL SEGMENTS LESS THAN 6.1m IN LENGTH AND NO CONTRACTION JOINTS ARE REQUIRED FOR THOSE SEGMENTS LESS THAN 3.5m IN LENGTH.

BAR TYPES



ALL BAR DIMENSIONS ARE OUT TO OUT

BILL OF MATERIAL

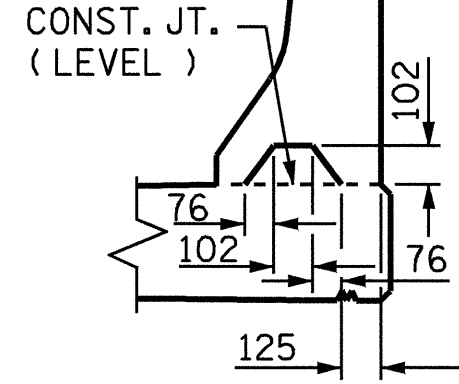
FOR CONCRETE BARRIER RAIL ONLY					
BAR	NO.	SIZE	TYPE	LENGTH	WEIGHT
*B1	56	#16	STR	5380	468
*B2	56	#16	STR	7880	685
*S1	330	#16	1	1500	768
*S2	330	#16	2	1580	809
*S3	12	#16	3	1020	19
*S4	12	#16	STR	960	18

\* EPOXY COATED REINFORCING STEEL 2767 kg

CLASS AA CONCRETE 23.7 CU. METERS

CONCRETE BARRIER RAIL 102.728 METERS

\* THESE BARS ARE EPOXY COATED



SECTION S-S

AT DAM IN OPEN JOINT (THIS IS TO BE USED ONLY WHEN SLIP FORM IS USED)



PROJECT NO. R-2568B  
DAVIDSON COUNTY  
STATION: 61+31.500 -L-

STATE OF NORTH CAROLINA  
DEPARTMENT OF TRANSPORTATION  
RALEIGH  
STANDARD  
CONCRETE  
BARRIER RAIL  
RIGHT LANE

REVISIONS					SHEET NO.
NO.	BY:	DATE:	NO.	BY:	DATE:
1			3		
2			4		

STR. #2

STD. No. CBR1SM

ASSEMBLED BY : QT NGUYEN	DATE : 11-03
CHECKED BY : V.X. NGUYEN	DATE : 7-04
DRAWN BY : ARB 5/87	REV. 8/16/99 RWW/LES
CHECKED BY : SJD 9/87	REV. 10/17/00 RWW/LES
	REV. 5/7/03 RWW/JTE