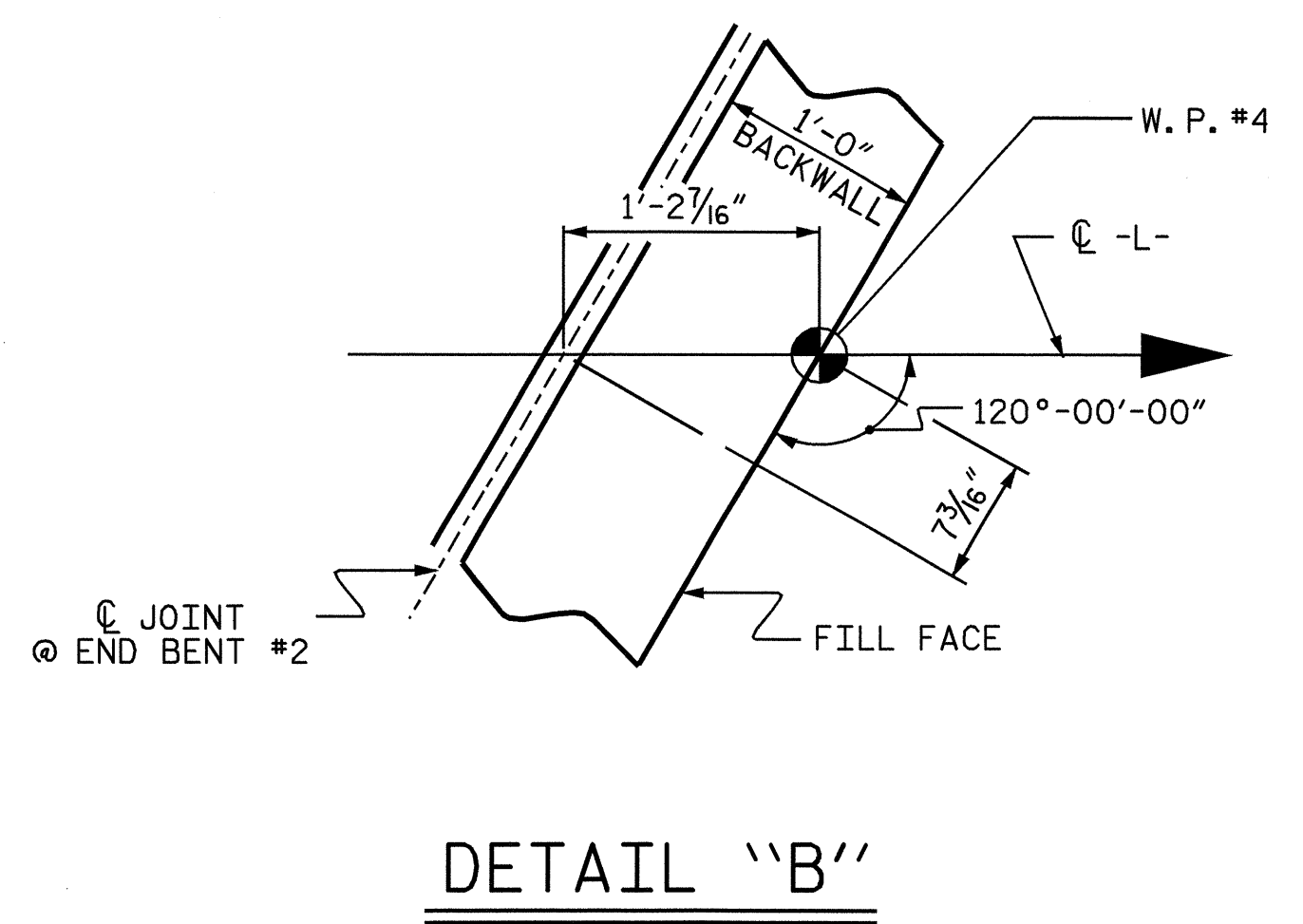


PLAN OF SPANS

NOTE
FOR BARRIER RAIL REINFORCING STEEL AND
DETAILS. SEE "BARRIER RAIL" SHEETS.



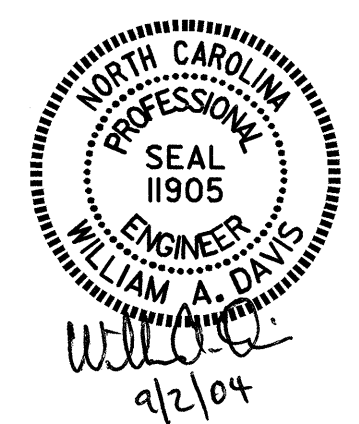
DETAIL "B"

PROJECT NO. B-4096
DAVIDSON COUNTY
STATION: 20+38.40 -L-

SHEET 2 OF 2

STATE OF NORTH CAROLINA
DEPARTMENT OF TRANSPORTATION
RALEIGH

SUPERSTRUCTURE
PLAN OF SPANS



DRAWN BY : J. G. KHARVA DATE : 03/11/04
CHECKED BY : J. D. HAWK DATE : 03/31/04

REVISIONS				SHEET NO.	
NO.	BY:	DATE:	NO.	BY:	DATE:
1			3		
2			4		
					TOTAL SHEETS
					33