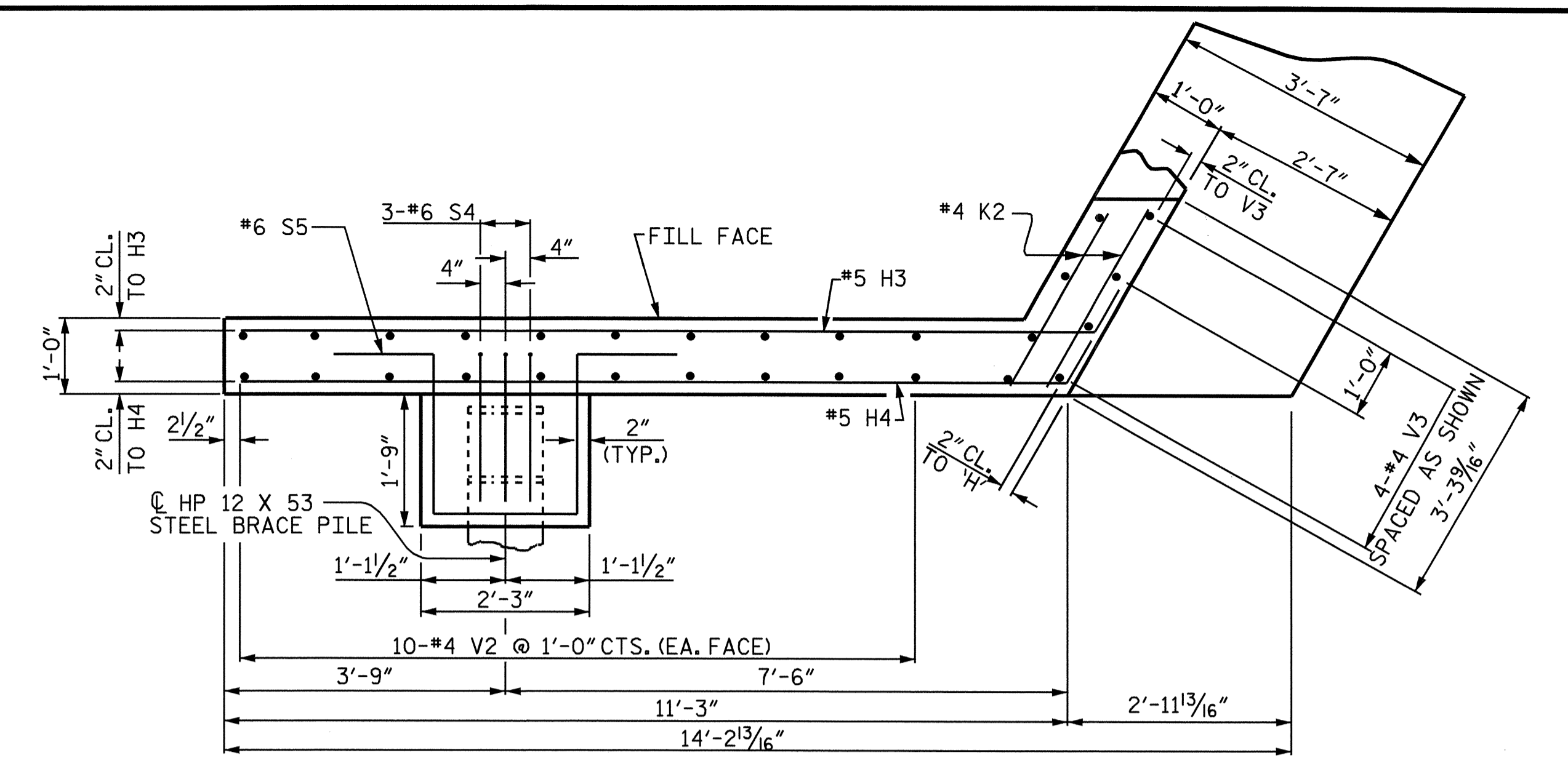
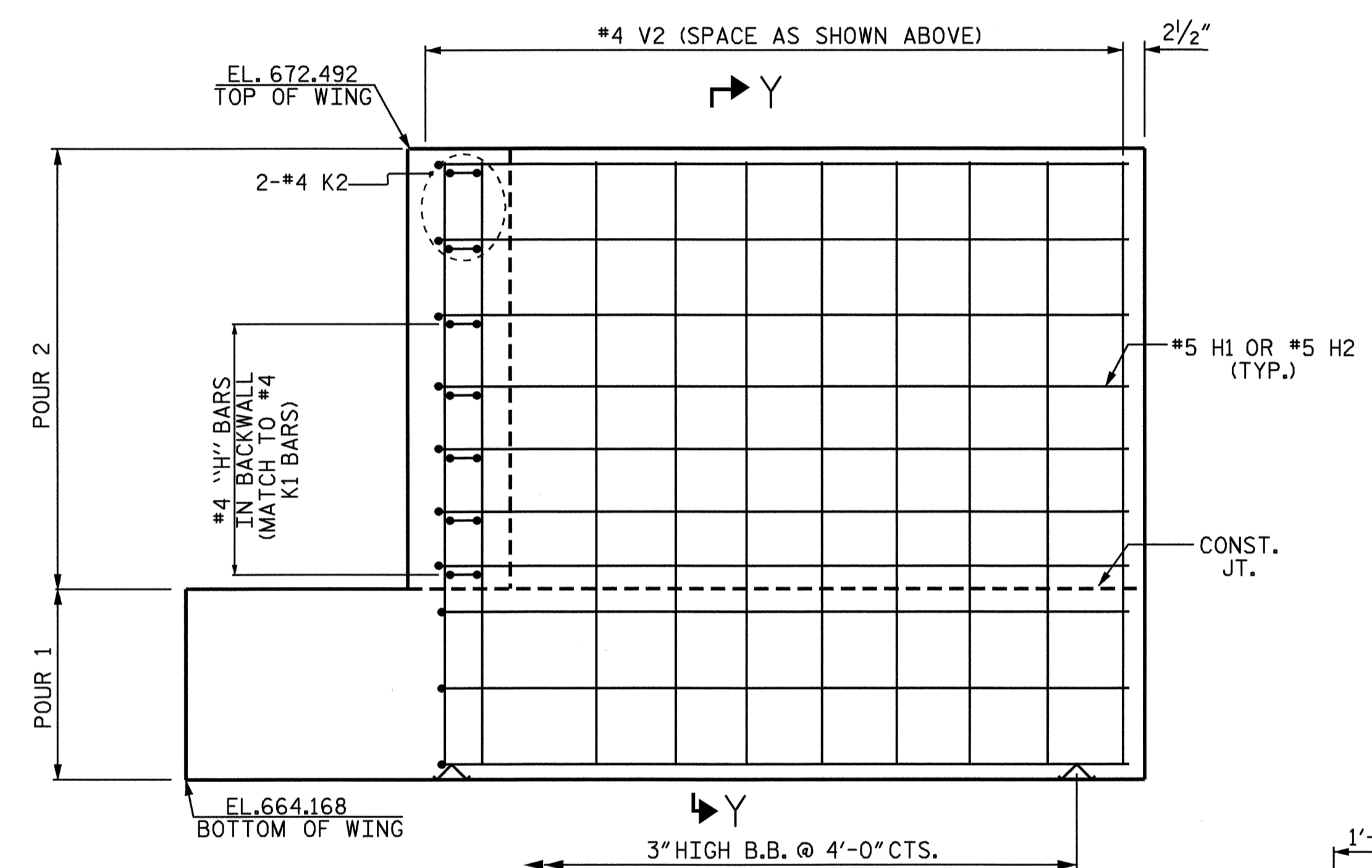


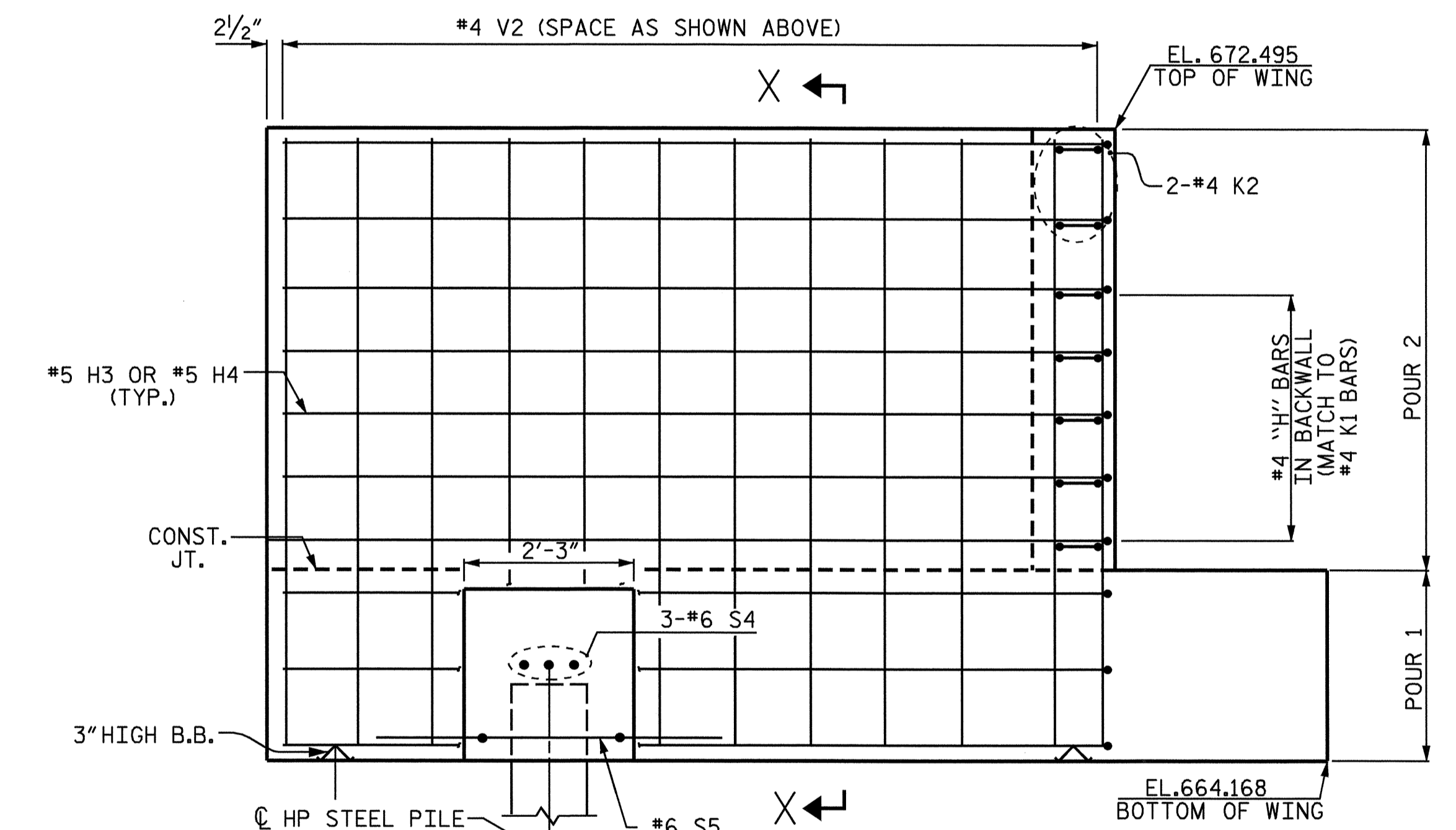
PLAN - W1



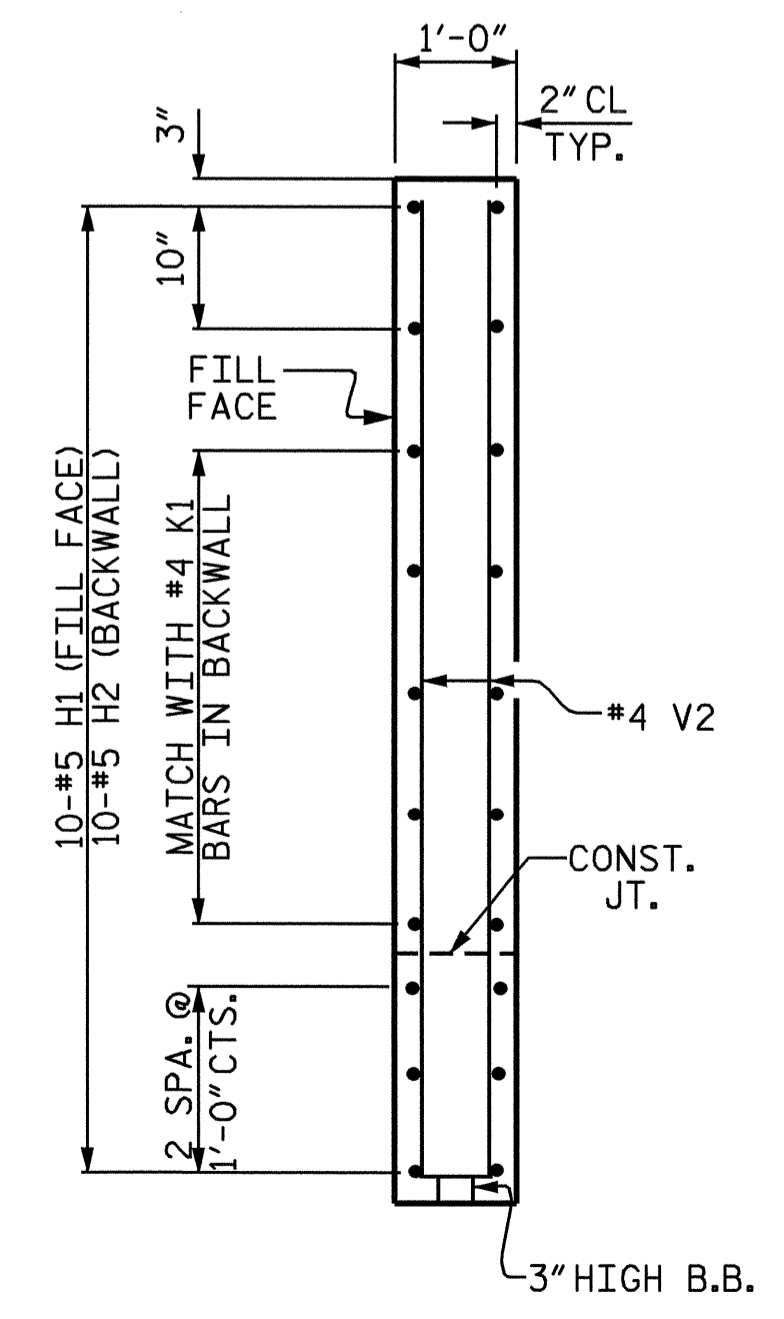
PLAN - W2



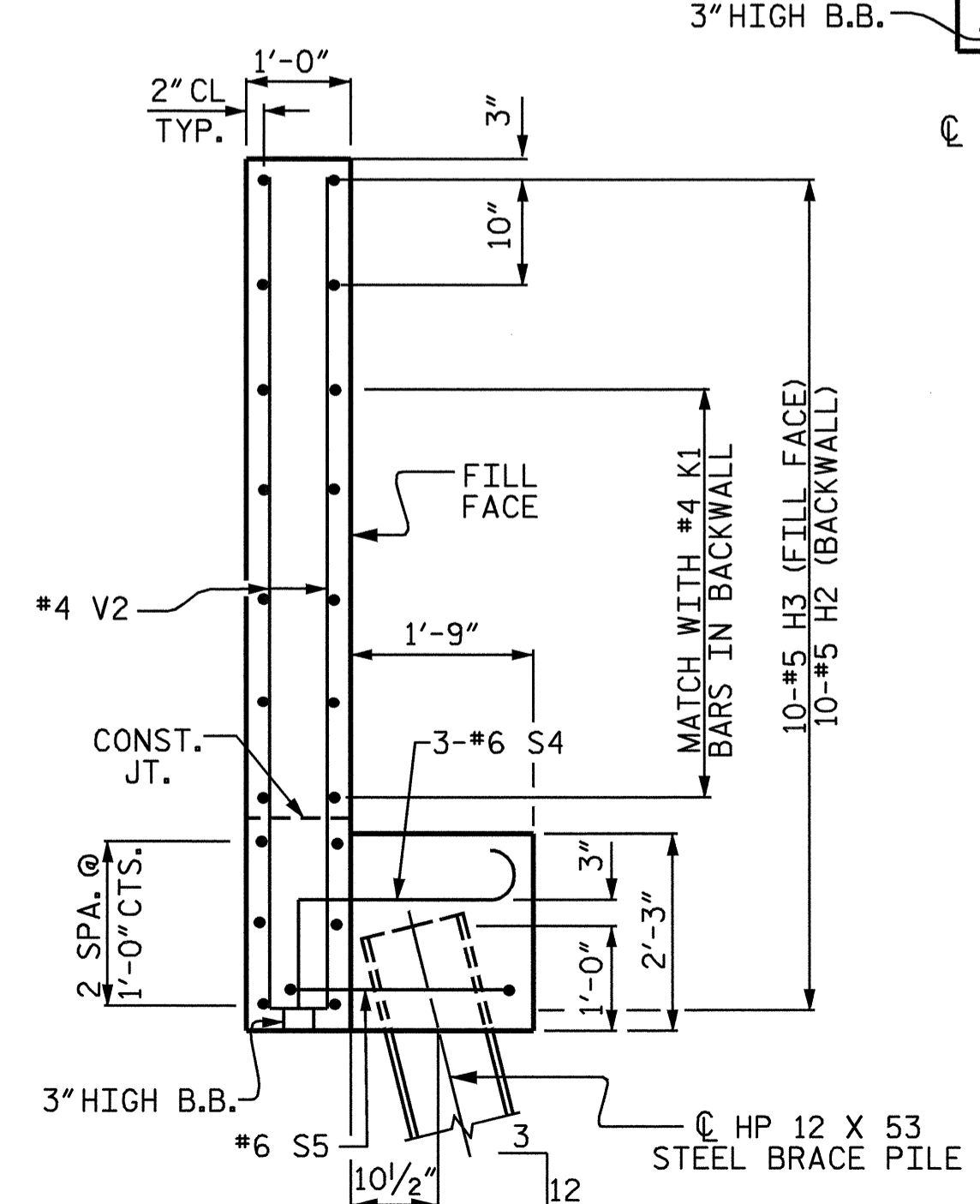
ELEVATION - W1



ELEVATION - W2



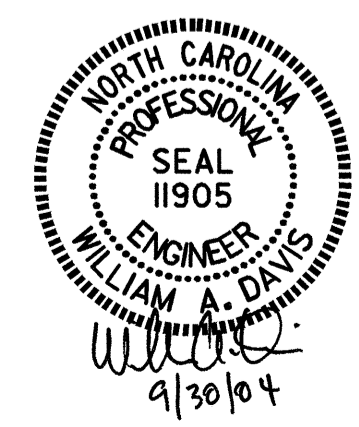
SECTION Y-Y



SECTION X-X

PROJECT NO. B-4096
DAVIDSON COUNTY
 STATION: 20+38.40 -L-
 SHEET 2 OF 3

STATE OF NORTH CAROLINA DEPARTMENT OF TRANSPORTATION RALEIGH					
SUBSTRUCTURE END BENT #1					
REVISIONS					
NO.	BY:	DATE:	NO.	BY:	DATE:
1			3		
2			4		



DRAWN BY : G.O. COOPER DATE : 5SEPT.03
 CHECKED BY : J. G. KHARVA DATE : 07/16/04