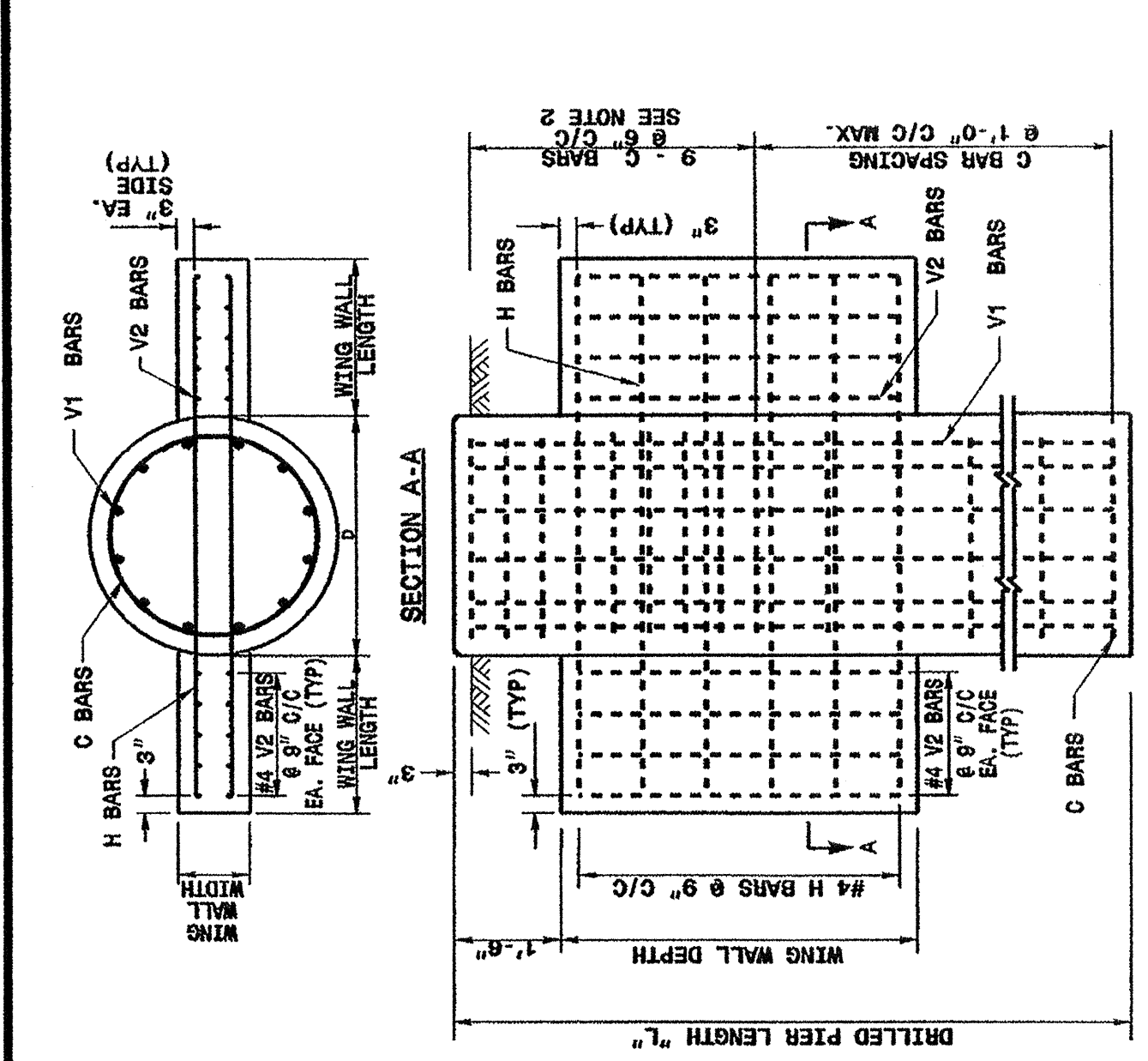
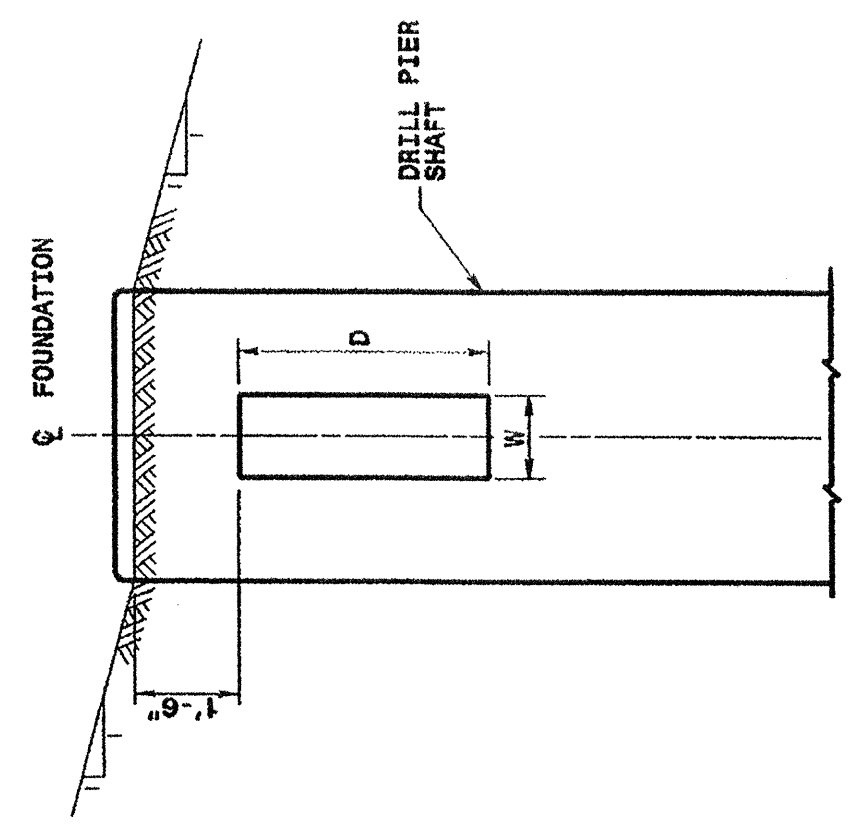


STATE OF NORTH CAROLINA
DEPT. OF TRANSPORTATION
DIVISION OF HIGHWAYS
RALEIGH, N.C.

ENGLISH STANDARD DRAWING FOR
METAL POLE FOUNDATIONS
REINFORCING CAGE DETAILS
SHEET 1 OF 2
1742.01

- NOTES**
1. THE NUMBER OF C-BARS IS BASED ON FOUNDATION DEPTH. SEE FOUNDATION SELECTION TABLES.
 2. CIRCULAR TIE REINFORCING RINGS MAY BE VERTICALLY ADJUSTED BY +/- 3" AT A DEPTH BETWEEN 2'-0" AND 3'-0" TO FACILITATE THE INSTALLATION OF ELECTRICAL CONDUIT ENTERING IN THE CAGE.
 3. THE LENGTH OF V1-BARS IS BASED ON FOUNDATION DEPTH. SEE FOUNDATION SELECTION TABLES.
 4. THE QUANTITIES FOR STEEL AND CONCRETE SHOWN IN THE WING WALL DETAILS CHART REFLECT THE AMOUNT OF MATERIAL FOR 1 PAIR OF WING WALLS (2 WING WALLS PER DRILL PIER SHAFT.)
 5. CONCRETE DRILL PIER SHAFT VOLUME (CU. YDS.):
FOR 42" DIA. = .866XL
FOR 48" DIA. = .465XL
 6. DEFORM REINFORCING STEEL TO CONFORM TO ASTM A615 GRADE 60. TIES MAY BE DEFORMED OR PLAIN.
 7. CAST CONCRETE AGAINST UNDISTURBED SOIL.
 8. DO NOT ERECT TRAFFIC SIGNAL STRUCTURES BEFORE THE CONCRETE IN THE FOUNDATION HAS ATTAINED A MINIMUM COMPRESSIVE STRENGTH OF 3000 PSI.
 9. MAKE PROVISIONS FOR DRAINAGE OF WATER FROM INSIDE OF THE METAL SUPPORT.
 10. FOR OTHER DETAILS REGARDING CONSTRUCTION OF CONCRETE FOUNDATION SEE PROJECT SPECIAL PROVISIONS.
 11. IN CASE OF ANY CROSS SLOPES, GRADE AROUND THE FOUNDATION AS FOLLOWS:

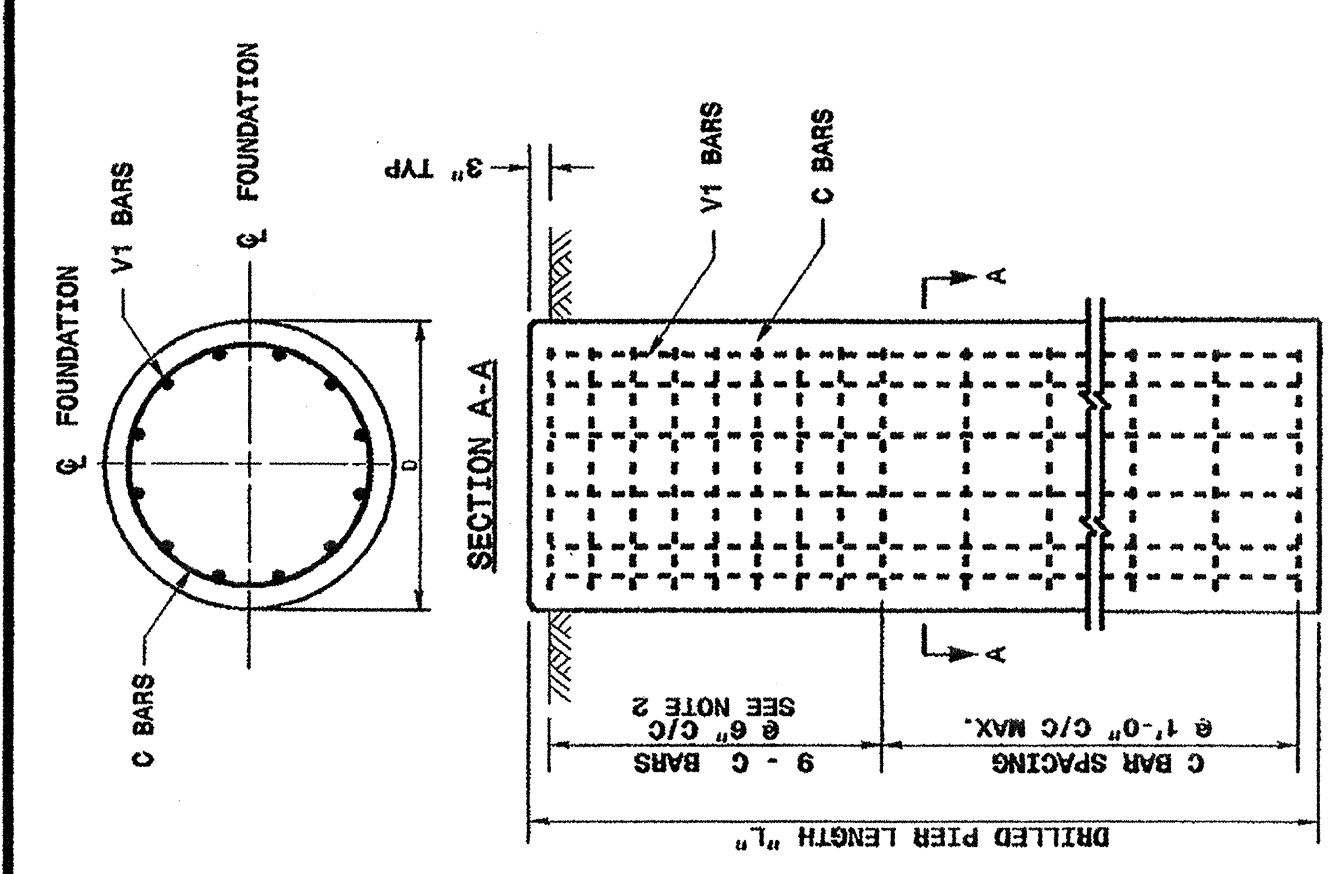


REINFORCING STEEL TABLE FOR STANDARD 42" and 48" DRILL PIER SHAFT WITH TYPE 1 AND TYPE 2 WING WALLS

Wing Wall Type	Drill Pier Dia. (in.)	Bar No.	Bar Size	Type	Length (ft.)
TYPE 1	42"	V1	#4	STR.	2'-6"
		V2	#4	STR.	6'-0"
		H	#4	STR.	6'-0"
TYPE 2	42"	C	#4	CR.	10'-8"
		V1	#4	STR.	3'-6"
		V2	#4	STR.	4'-6"
TYPE 2	48"	V1	#4	STR.	9'-0"
		V2	#4	STR.	10'-6"
		H	#4	STR.	9'-0"

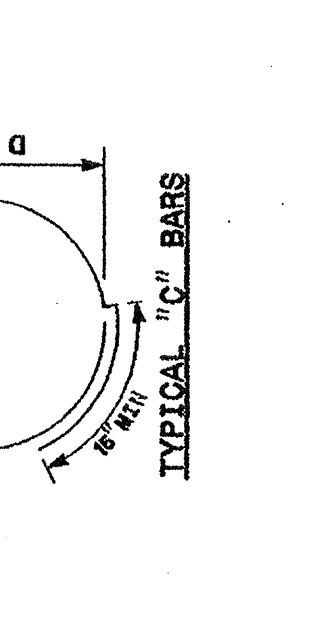
WING WALL DETAILS

Wing Wall Type	Wing Wall Length (ft.)	Wing Wall Width (ft.)	Wing Wall Depth (ft.)	Concrete Volume (Cu. Yds.)
TYPE 1	1'-8"	1'-0"	3'-0"	1.4
TYPE 2	3'-0"	1'-0"	3'-0"	1.2



REINFORCING STEEL TABLE FOR STANDARD 42" & 48" DIAMETER SHAFT

SHAFT DIA. (in.)	BAR NO.	BAR SIZE	Type	Length (ft.)
42"	V1	#4	STR.	3'-6"
	V2	#4	STR.	10'-6"
	H	#4	STR.	9'-0"
48"	V1	#4	STR.	9'-0"
	V2	#4	STR.	12'-6"
	H	#4	STR.	9'-0"

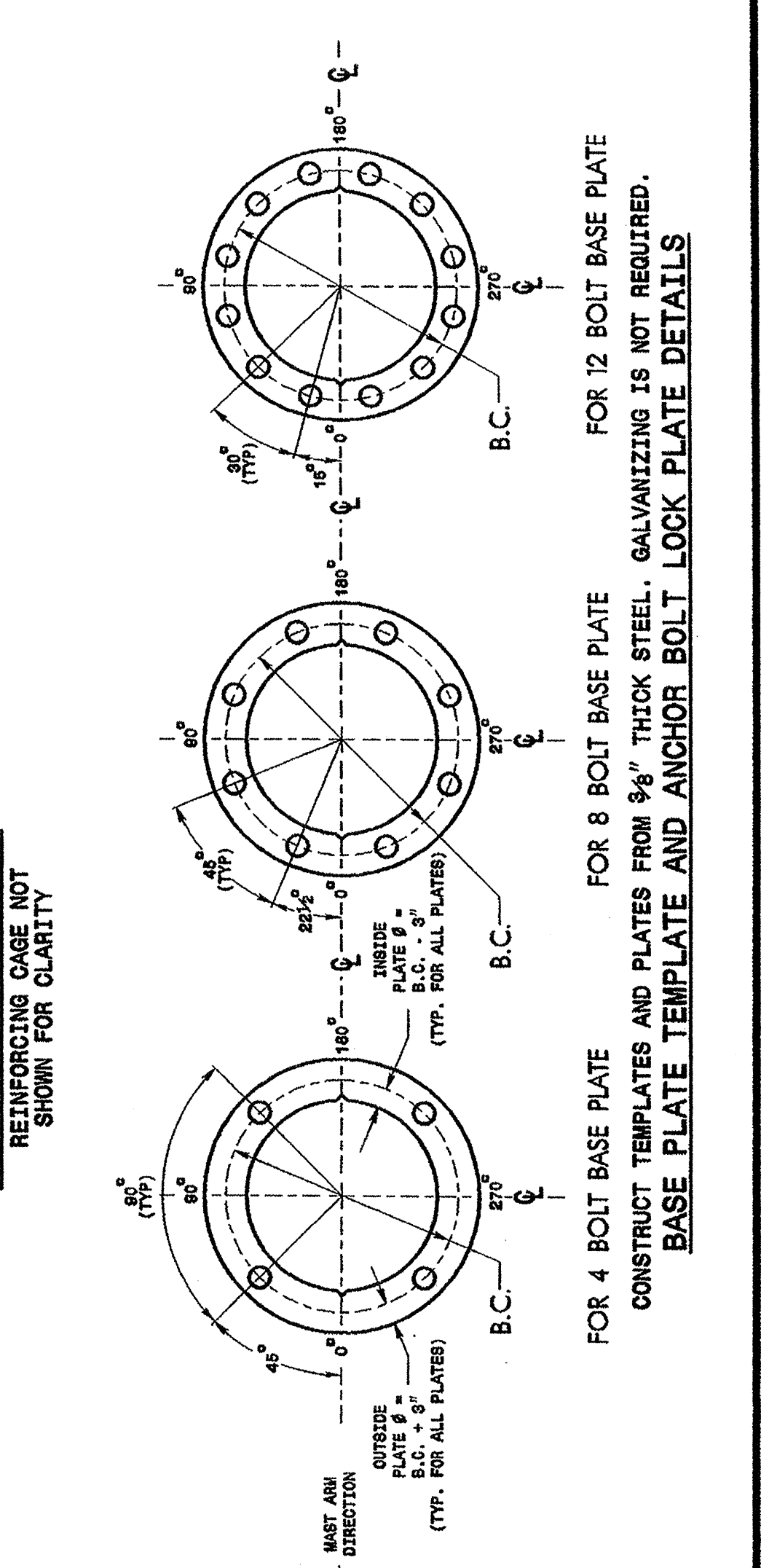
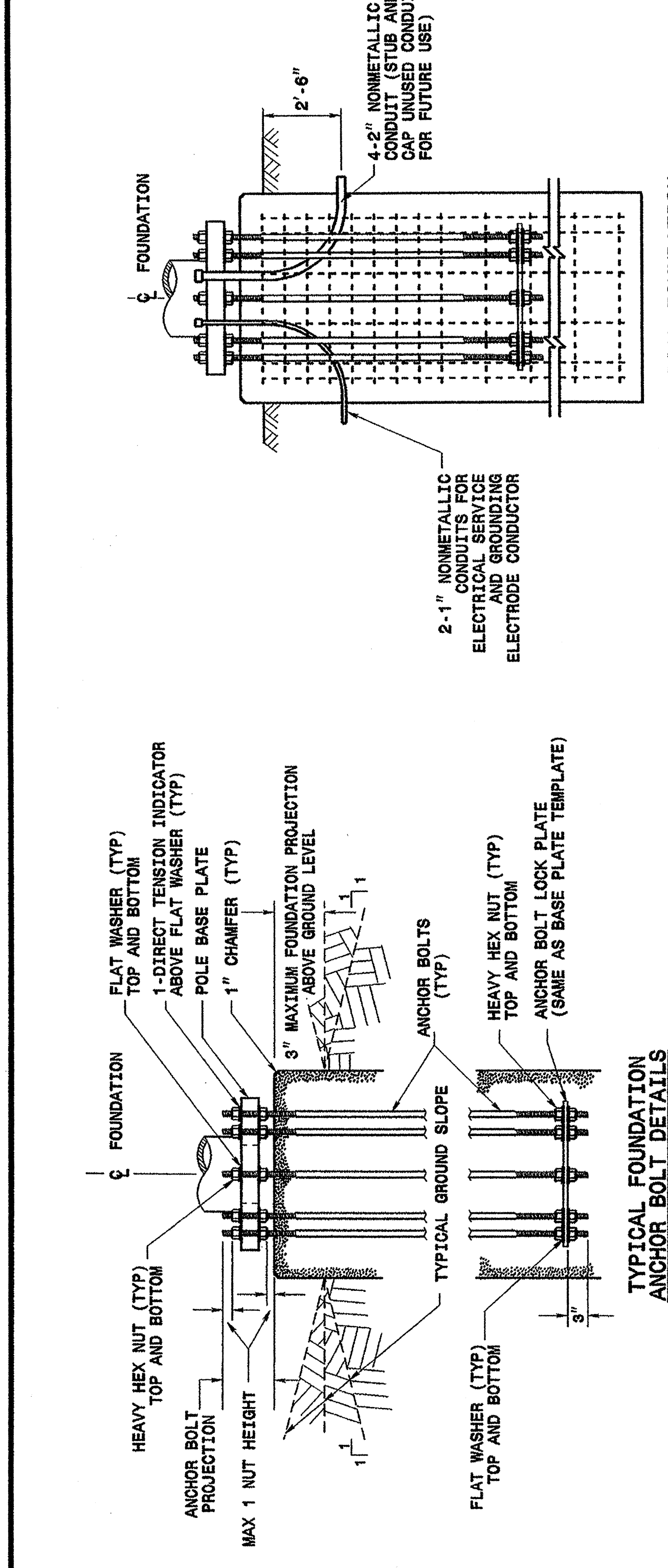


STATE OF NORTH CAROLINA
DEPT. OF TRANSPORTATION
DIVISION OF HIGHWAYS
RALEIGH, N.C.

ENGLISH STANDARD DRAWING FOR
METAL POLE FOUNDATIONS
REINFORCING CAGE DETAILS
SHEET 1 OF 2
1742.01

STATE OF NORTH CAROLINA
DEPT. OF TRANSPORTATION
DIVISION OF HIGHWAYS
RALEIGH, N.C.

ENGLISH STANDARD DRAWING FOR
METAL POLE FOUNDATIONS
INSTALLATION DETAILS
SHEET 2 OF 2
1742.01



STATE OF NORTH CAROLINA
DEPT. OF TRANSPORTATION
DIVISION OF HIGHWAYS
RALEIGH, N.C.

ENGLISH STANDARD DRAWING FOR
METAL POLE FOUNDATIONS
INSTALLATION DETAILS
SHEET 2 OF 2
1742.01

Structural Engineer: **DESHEK C. SANKAR** (Professional Seal 028034, 9.12.03)

Electrical Engineer: **MILTON J. DEAN** (Professional Seal 16286, 9/18/03)

Standard Drawings
Traffic Management and Signal Systems Unit
122 N. McDowell St., Raleigh, NC 27603

See Plate for Title

Original: 2002 Standards

10-SEP-2003 09:14:6
U:\e\ondor\ds#03\Roadway\Standard\dwgs\eng\11\shp\on_sheets\174201_p1.on_sheet.dgn
p11xander