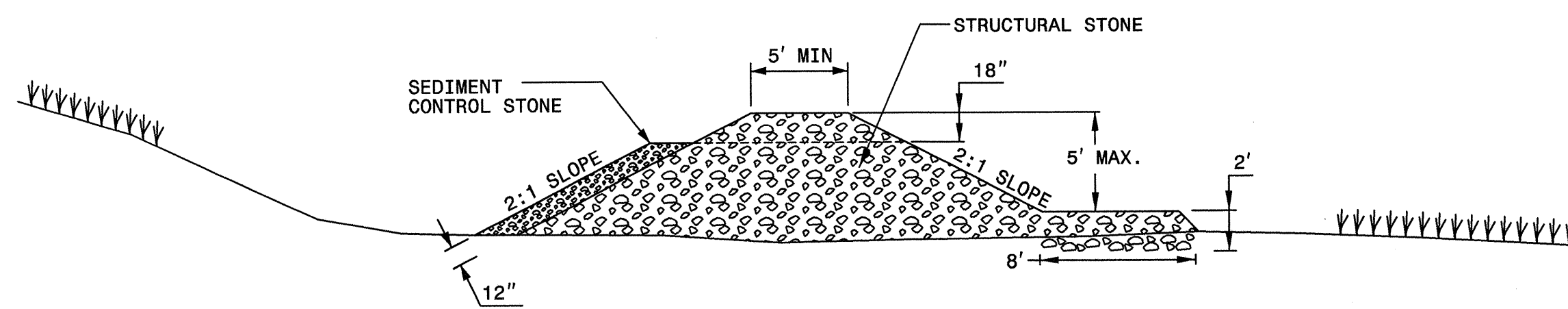
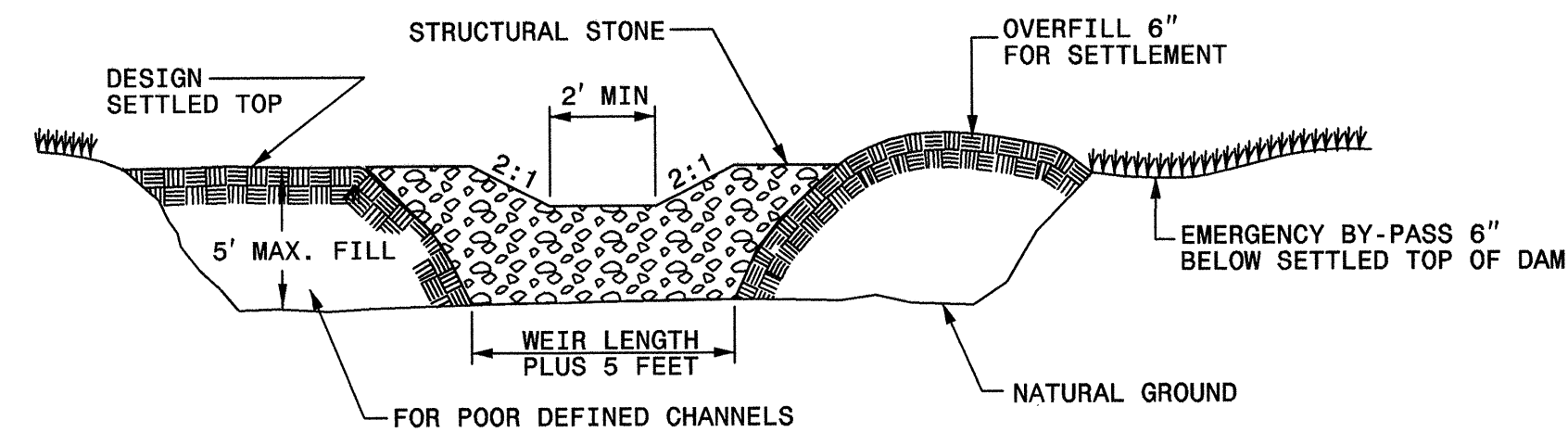


TEMPORARY ROCK SEDIMENT DAMN, TYPE-B

SCALE: N.T.S.



PROFILE SECTION



CROSS-SECTION

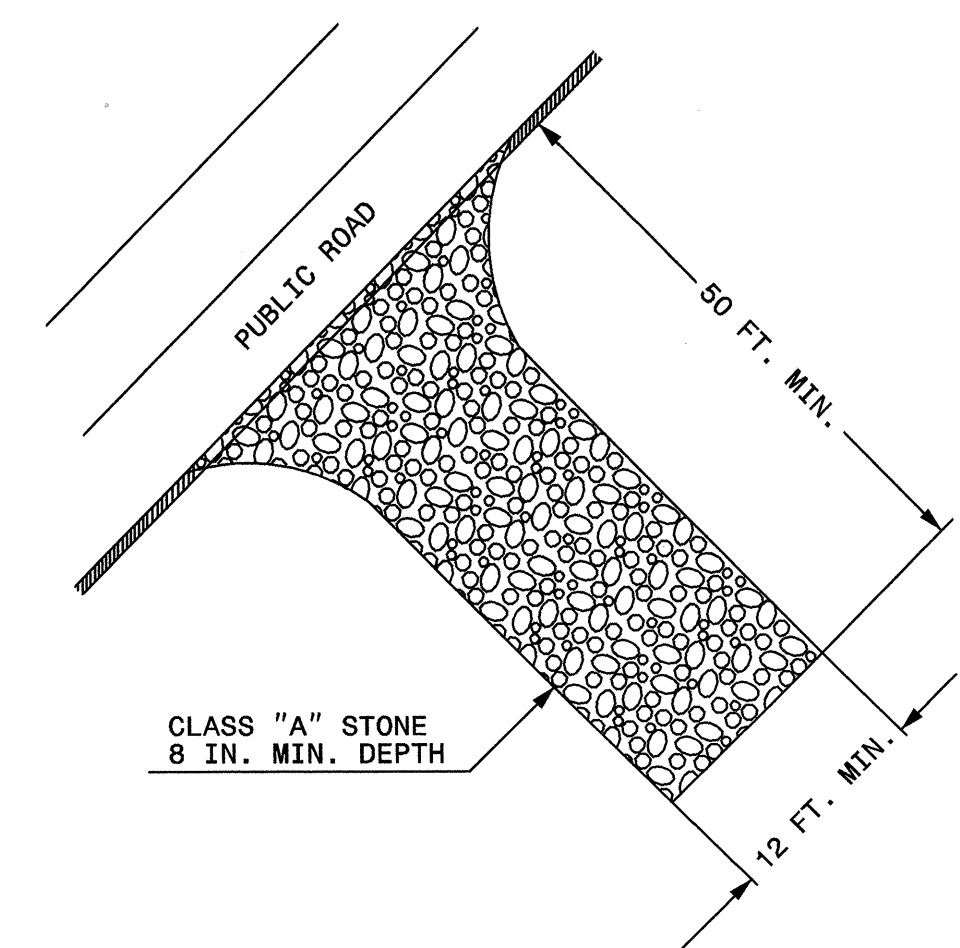
DRAINAGE AREA (ACRES)	WEIR LENGTH (FT)
1	4.0
2	6.0
3	8.0
4	10.0
5	12.0

NOTES:
 USE CLASS B STONE FOR STRUCTURAL STONE AND PAY FOR AT THE CONTRACT UNIT PRICE PER TON STONE FOR SEDIMENT CONTROL, CLASS B.
 USE NO. 5 OR NO. 57 STONE FOR SEDIMENT CONTROL, CLASS B.
 UNIT PRICE PER TON SEDIMENT CONTROL STONE.
 DIKE MAY EXTEND ALONG MORE THAN ONE SIDE OF THE TRAP AREA. PROVIDE A TOTAL SEDIMENT STORAGE VOLUME OF 1800± CUBIC FEET PER ACRE OF DISTURBED AREA. SOME OF THE REQUIRED VOLUME MAY BE PROVIDED BY OTHER UP OR DOWNSTREAM CONTROLS.
 AN UNDERLAY OF STRUCTURAL STONE WITH FILTER FABRIC MAY BE REQUIRED BY THE ENGINEER. PAY FOR AT THE CONTRACT BID UNIT PRICE PER SQUARE YARD.

TEMPORARY GRAVEL CONSTRUCTION ENTRANCE

SCALE: NTS

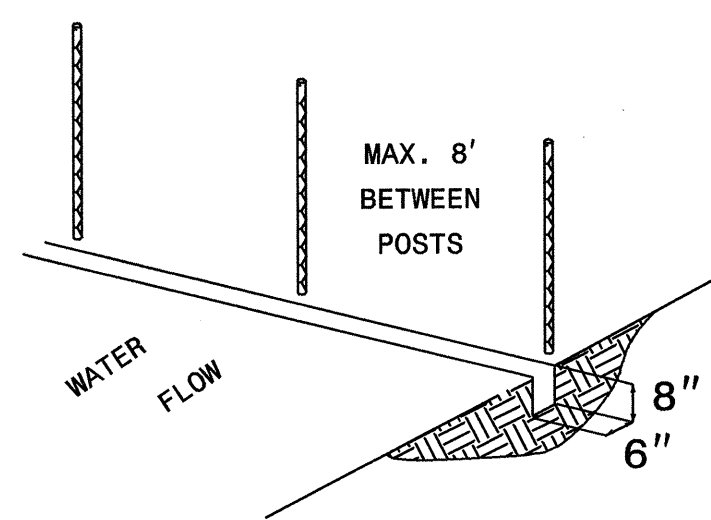
NOTES:
 1. TURNING RADIUS SUFFICIENT TO ACCOMMODATE LARGE TRUCKS SHALL BE PROVIDED.
 2. ENTRANCE(S) SHOULD BE LOCATED TO PROVIDE FOR UTILIZATION BY ALL CONSTRUCTION VEHICLES.
 3. MUST BE MAINTAINED IN A CONDITION WHICH WILL PREVENT TRACKING OR DIRECT FLOW OF MUD ONTO STREETS. PERIODIC TOP DRESSING WITH STONE WILL BE NECESSARY.
 4. ANY MATERIAL TRACKED ONTO THE ROADWAY MUST BE CLEANED UP IMMEDIATELY.
 5. GRAVEL CONSTRUCTION ENTRANCE SHALL BE LOCATED AT ALL POINTS OF INGRESS AND EGRESS UNTIL SITE IS STABILIZED. FREQUENT CHECKS OF THE DEVICE AND TIMELY MAINTENANCE MUST BE PROVIDED.
 6. FILTER FABRIC TO BE PLACED BENEATH STONE.



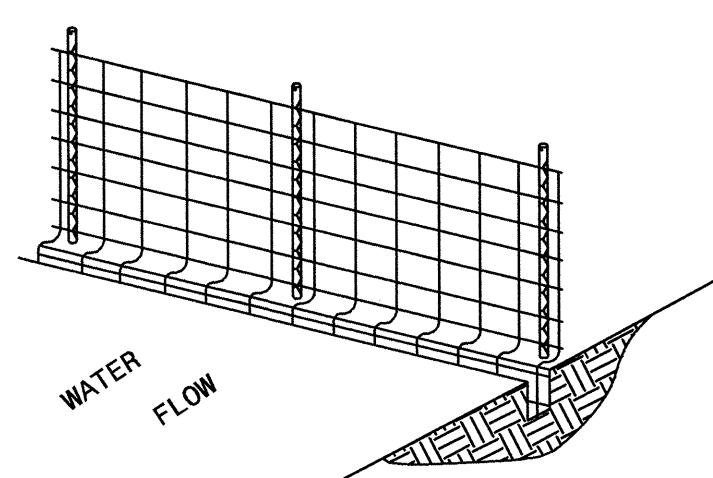
STANDARD TEMPORARY SILT FENCE

SCALE: N.T.S.

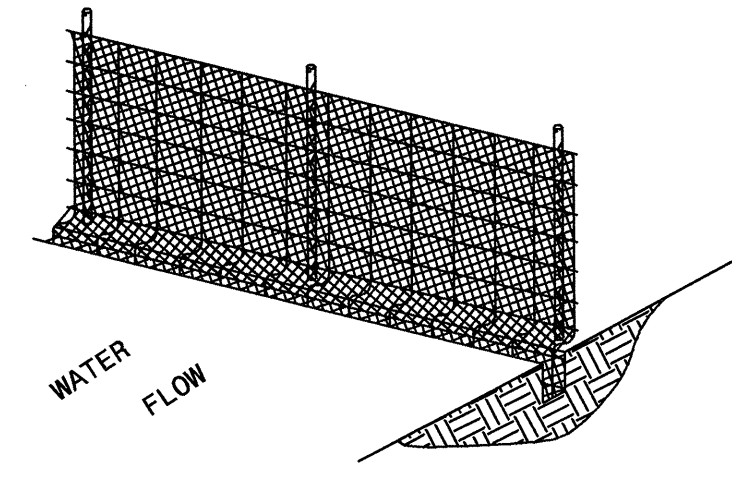
STEP 1:
 DRIVE STEEL POSTS 18" INTO GROUND AND EXCAVATE A 6"x 6" TRENCH UPHILL ALONG THE LINE OF POSTS. WOOD POSTS 4" IN DIAMETER MAY BE USED.



STEP 2:
 ATTACH WIRE FENCE TO POSTS AND EXTEND THE BOTTOM OF THE FENCE 8" INTO THE EXCAVATED TRENCH.

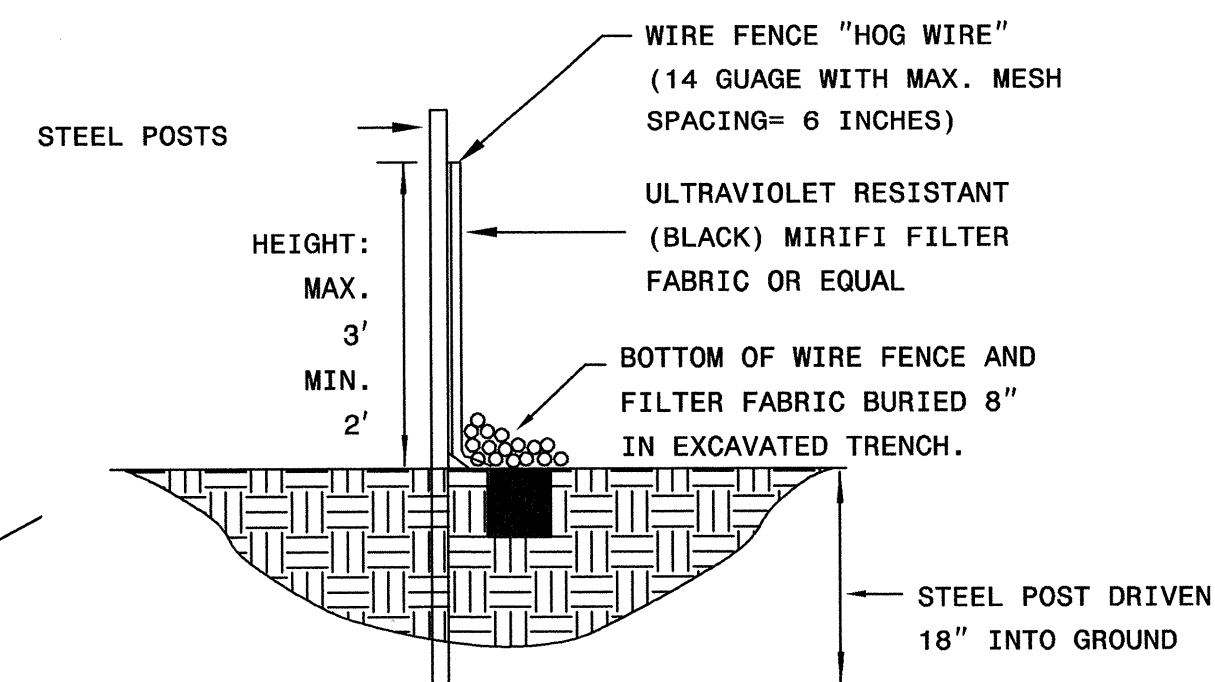
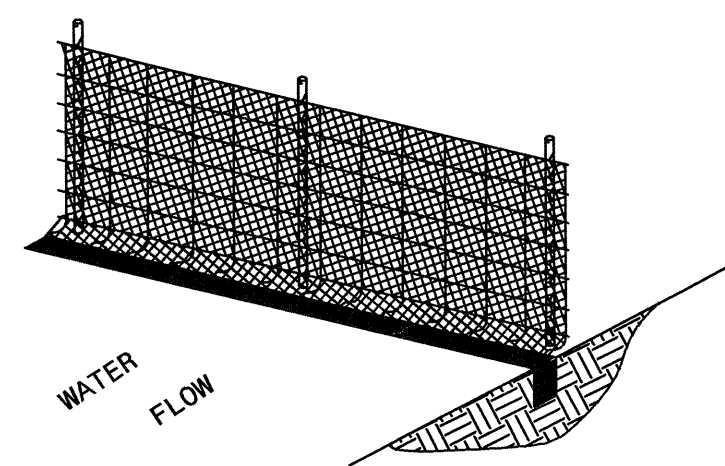


STEP 3:
 ATTACH THE FILTER FABRIC TO THE WIRE FENCE AND EXTEND THE BOTTOM OF THE FABRIC 8" INTO THE TRENCH.



SECTION

STEP 4:
 BACKFILL THE TRENCH AND COMPACT THE SOIL FIRMLY TO ANCHOR THE BOTTOM OF THE SILT FENCE SO THAT RUNOFF IS FORCED TO GO THROUGH THE FENCE AND CANNOT GO UNDER IT.



NOTE:
 BOTTOM OF FILTER MUST BE PLACED IN TRENCH AND SECURED BY EITHER BACK-FILLING WITH SOIL MATERIAL AND TAMPING OR BY PLACING WASHED STONE TO A HEIGHT OF 6" ABOVE GROUND LEVEL.