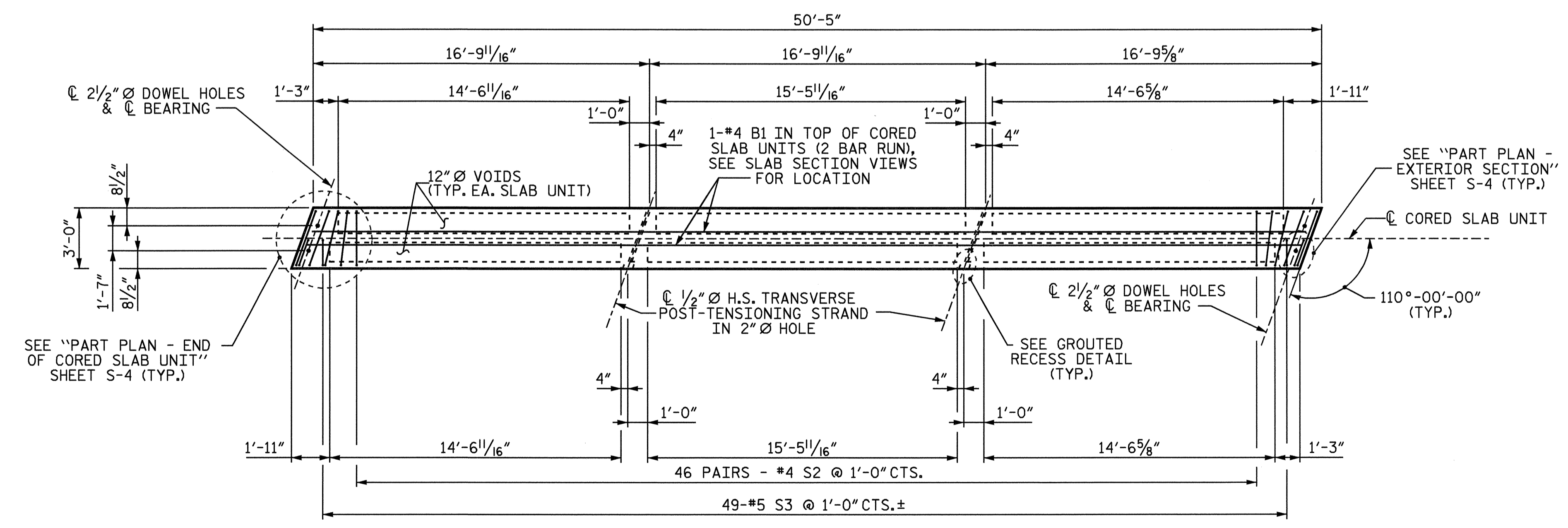


PLAN OF INTERIOR CORED SLAB UNITS

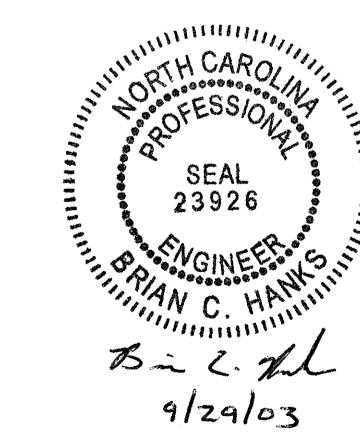


PLAN OF EXTERIOR CORED SLAB UNITS

PROJECT NO. B-2963
DURHAM COUNTY
STATION: 24+92.50-L-

STATE OF NORTH CAROLINA
DEPARTMENT OF TRANSPORTATION
RALEIGH

SUPERSTRUCTURE
PLAN OF SPANS
CORED SLAB
UNIT DETAILS



DRAWN BY: William F. Parker DATE: 04/25/02
CHECKED BY: J. KHARVA DATE: 9/19/02

REVISIONS						SHEET NO.
NO.	BY:	DATE:	NO.	BY:	DATE:	S-5
1			3			TOTAL SHEETS
2			4			32